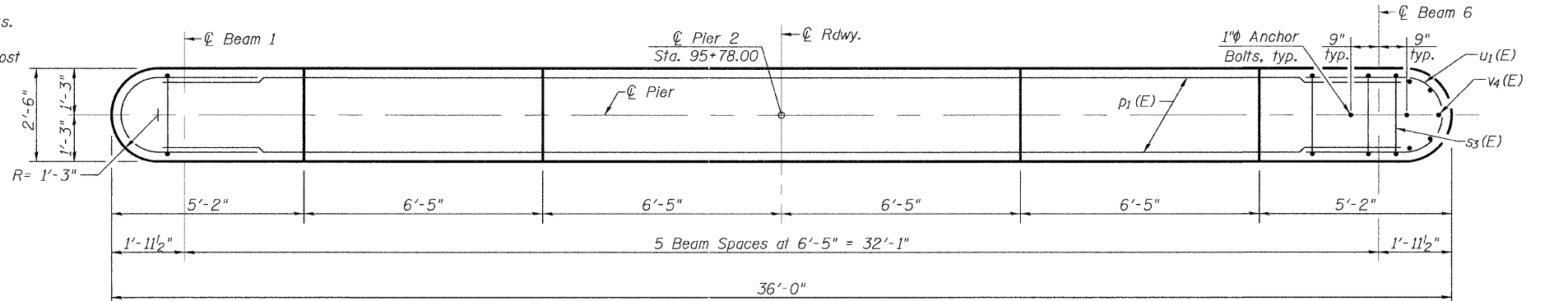


F.A.S. RTE.	SECTION	COUNTY	TOTAL SHEETS	SHEET NO.
733	06-00088-00-BR	MACOUPIN	35	22
FED. ROAD DIST. NO.		ILLINOIS FED. AID PROJECT		
		CONTRACT NO.		

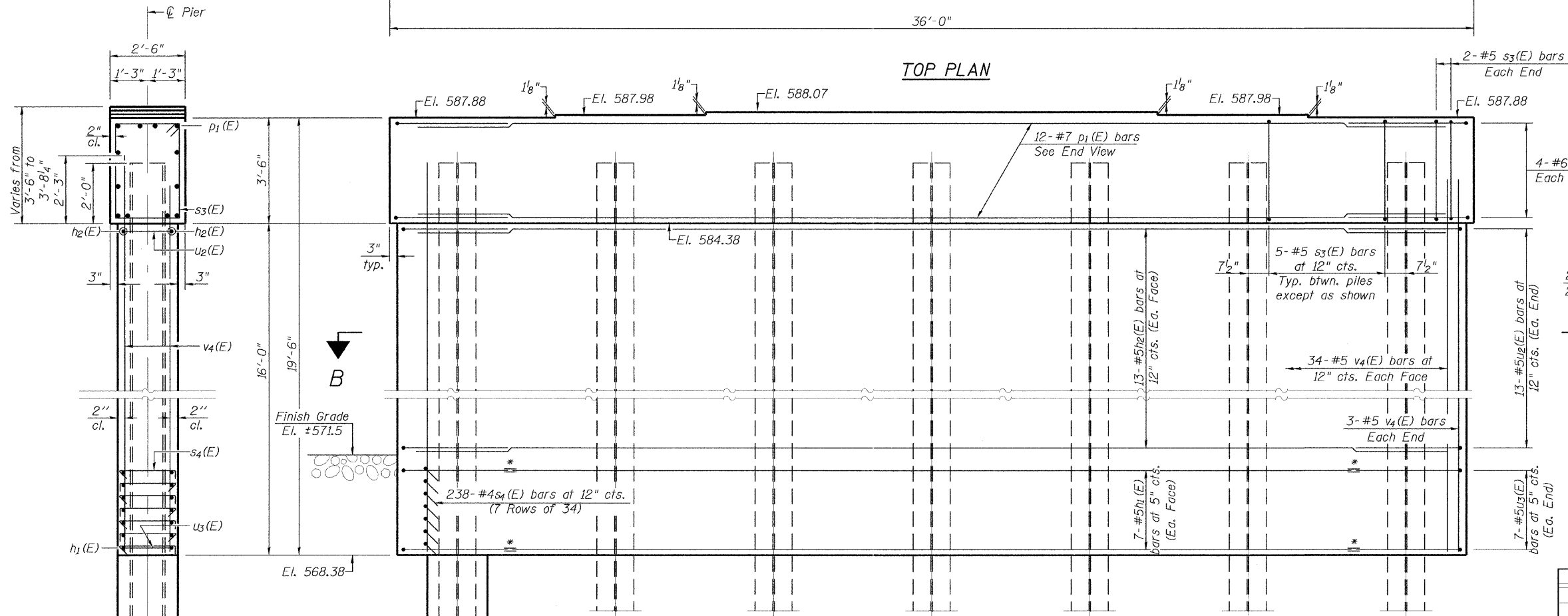
Notes:  
 Space reinforcement in cap to miss anchor bolts.  
 Pour steps monolithically with cap.  
 Cofferdam Excavation to be included with the cost of Cofferdam (Type 1) (Location 2)  
 For details of piles, see sheet 24 of 35.

**PILE DATA**

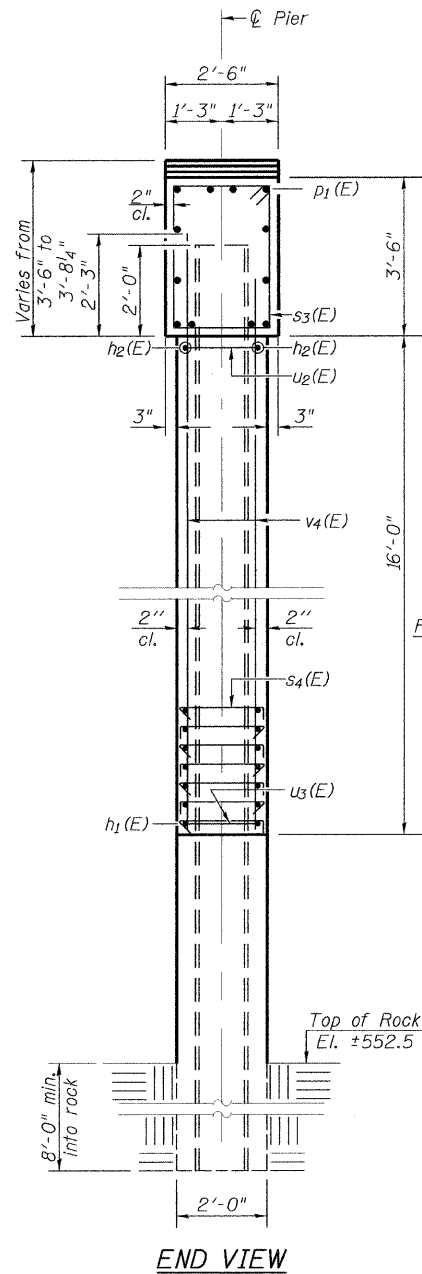
Type: HP 12x84  
 Nominal Required Bearing: 664 Kips  
 Factored Resistance Available: 332 Kips  
 Est. Length: 44'  
 No. Production Piles: 6  
 No. Test Piles: 1



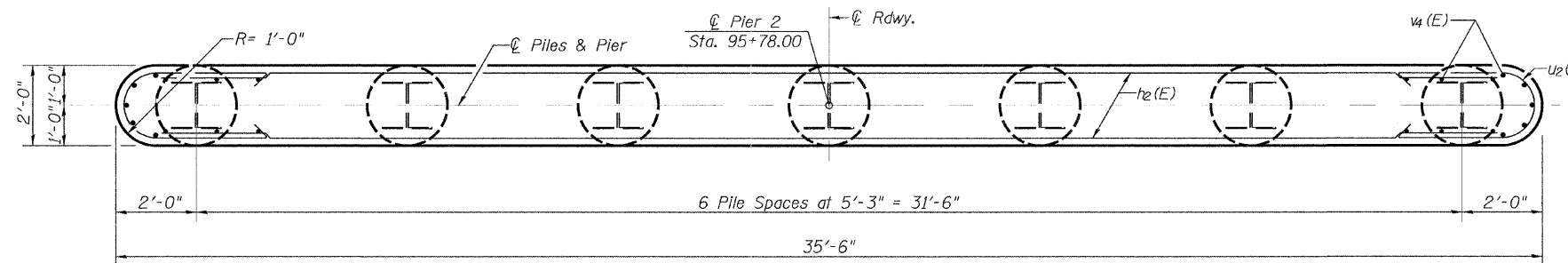
**TOP PLAN**



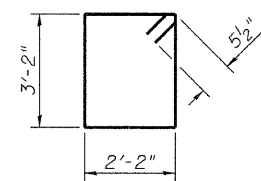
**ELEVATION**  
(Looking North)



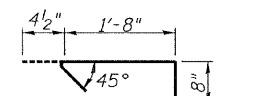
**END VIEW**



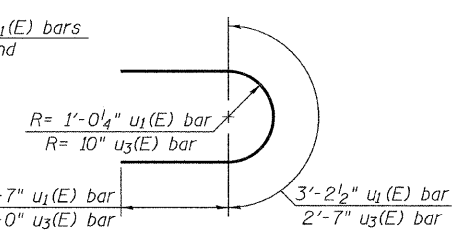
**SECTION B-B**



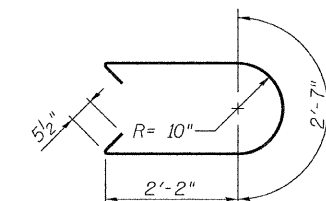
**BAR s3(E)**



**BAR s4(E)**



**BARS u1 & u3(E)**



**BARS u2(E)**

**PIER 2  
BILL OF MATERIAL**

Bar	No.	Size	Length	Shape
h1(E)	14	#5	29'-6"	—
h2(E)	26	#5	33'-6"	—
p1(E)	12	#7	33'-6"	—
s3(E)	34	#5	11'-7"	□
s4(E)	238	#4	2'-9"	J
u1(E)	8	#6	8'-5"	U
u2(E)	26	#5	7'-10"	U
u3(E)	14	#5	6'-7"	U
v4(E)	74	#5	18'-0"	—
Structure Excavation			Cu. Yd.	27
Concrete Structures			Cu. Yd.	53.4
Reinforcement Bars, Epoxy Coated			Pound	4810
Furnishing Steel Piles, HP 12x84			Foot	264
Test Pile Steel HP 12x84			Each	1
Setting and Driving Piles in Rock			Each	6
Cofferdam (Type 1) (Location 2)			Each	1
Mechanical Splicers			Each	28