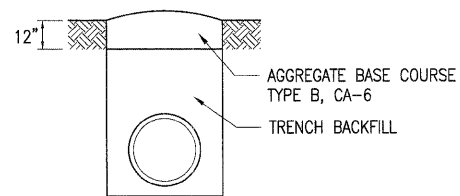
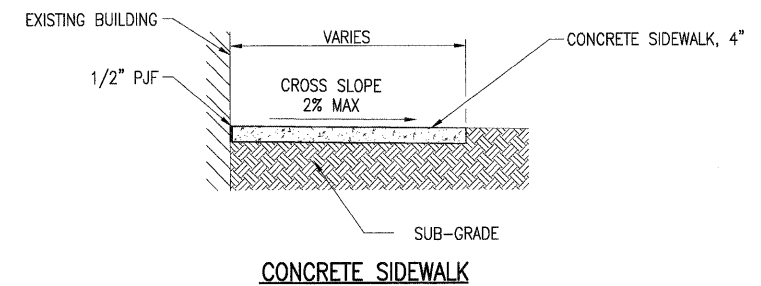


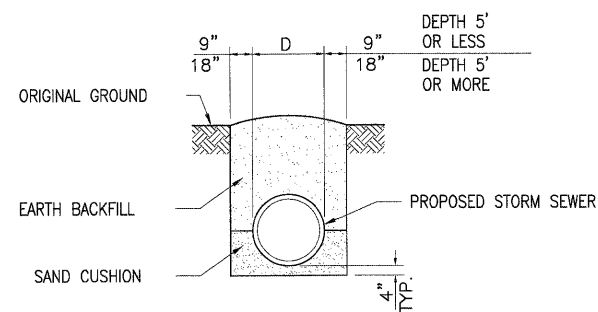
**DETAIL OF TRENCH EXCAVATION AND BACKFILL UNDER PROPOSED ROADWAY PAVEMENT AND ENTRANCES**



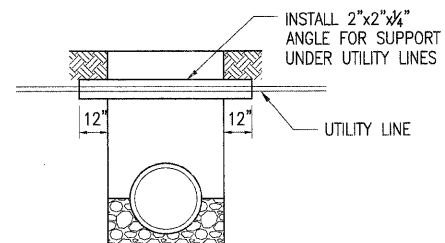
**TEMPORARY SURFACE DETAIL**



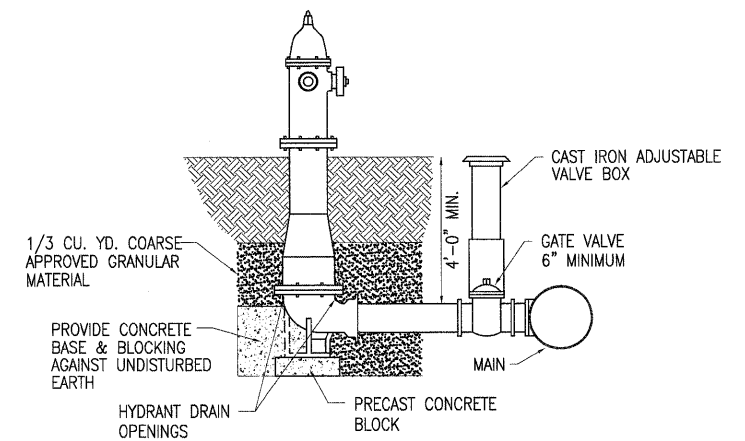
**CONCRETE SIDEWALK**



**DETAIL OF TRENCH EXCAVATION AND BACKFILL UNDER TURF**



**DETAIL OF UTILITY CROSSING SUPPORT**



**HYDRANT INSTALLATION**

NOV 28, 2011 3:52 PM DFCRGY  
I:\JOBS\071101 LITCHFIELD STREETScape\CAD\DETAILS\_SHEETS.DWG

**Prairie Engineers of Illinois, P.C.**  
200 S. Chicago St.  
Lincoln, IL 62656  
(217) 651-8017  
www.prairieengineers.com  
professional design firm no. 184-005965  
© copyright Prairie Engineers of Illinois, P.C. 2011

DRAWING DATE	11/29/11	REVISION		BY	DATE
DESIGNED BY	DEF				
DRAWN BY	TLW				
CHECKED BY	LDK 10/11				

STATE OF ILLINOIS  
DEPARTMENT OF TRANSPORTATION

CITY OF LITCHFIELD - DOWNTOWN STREETScape PHASE 2  
DETAILS  
STATION TO STATION

PEI PROJECT NO.	07L1101
PAGE	87 OF 92 PAGES
FILENAME	DETAILS_SHEETS.dwg
DRAWING SCALE	

F.A.U. RTE.	SECTION	COUNTY	TOTAL SHEETS	SHEET NO.
	10-00035-00-LS	Montgomery	92	87
CONTRACT NO.			93563	
FED. ROAD DIST. NO.	ILLINOIS	FED. AID PROJECT		