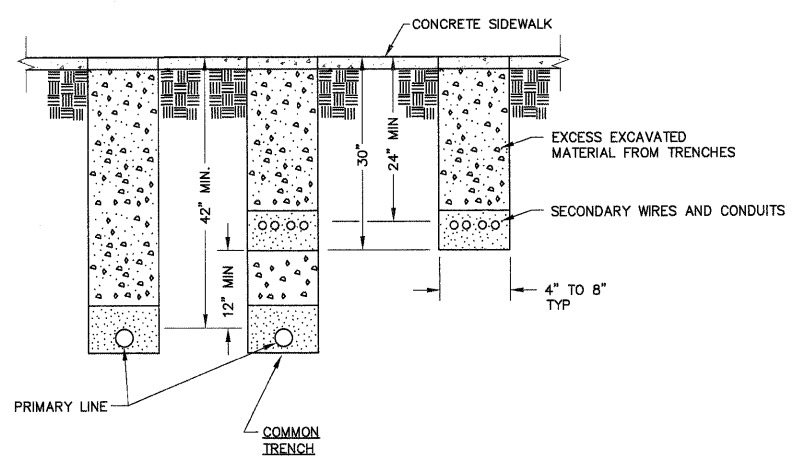
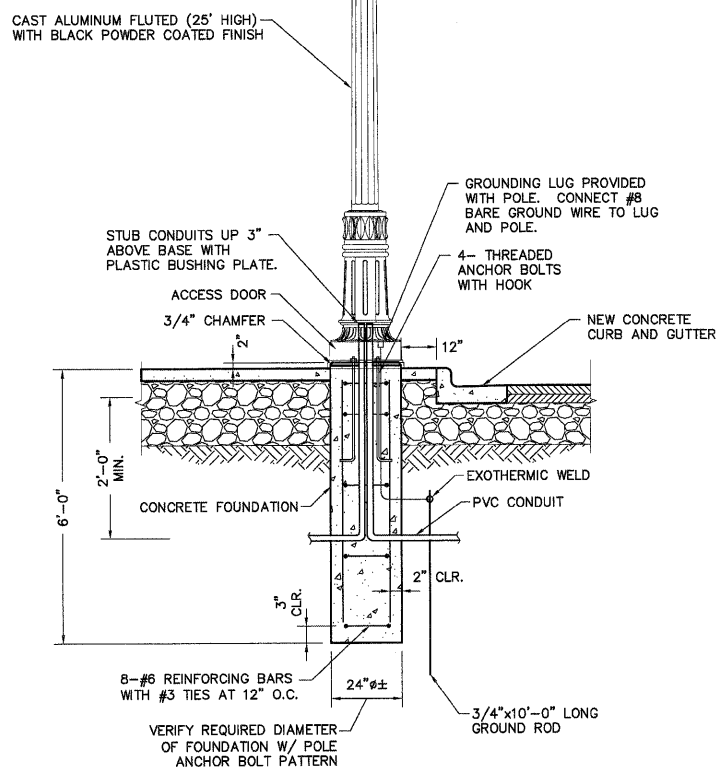


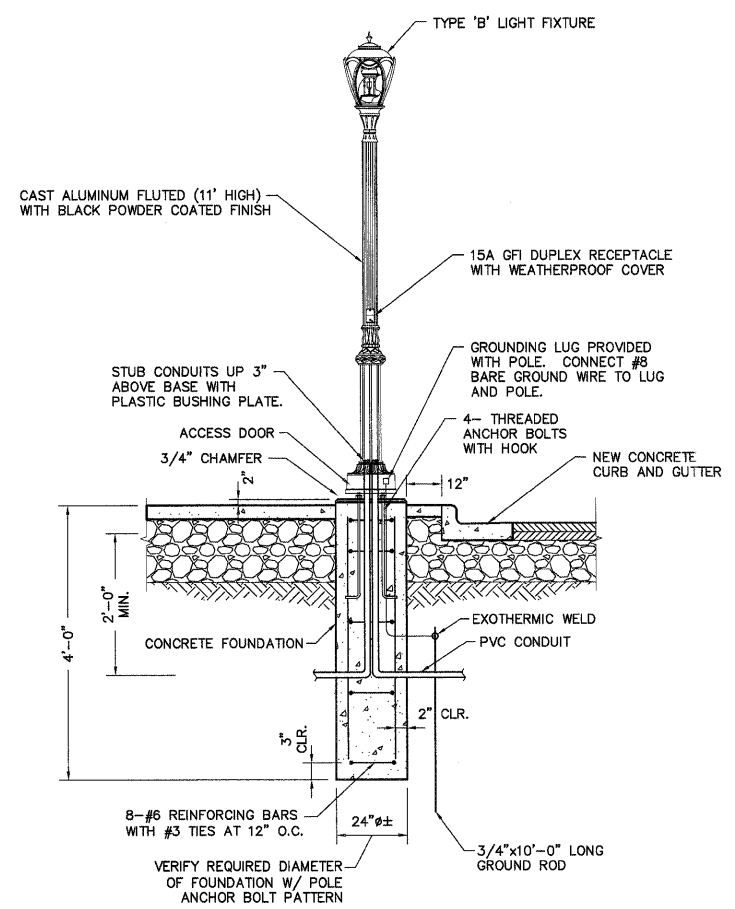
**1 HANDHOLE DETAIL**  
90 SCALE: NONE



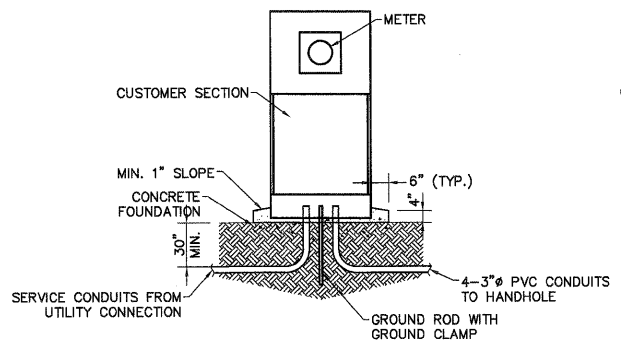
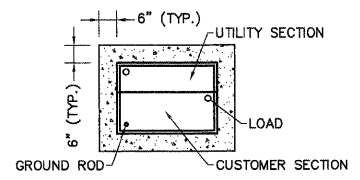
**2 TRENCH DETAIL**  
90 SCALE: NONE



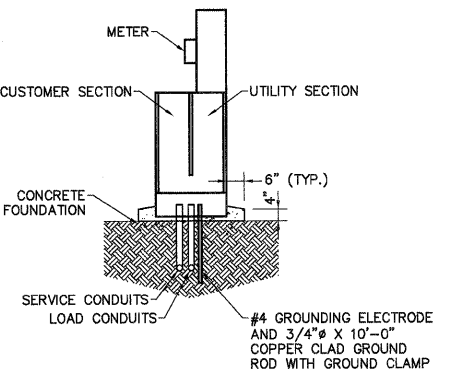
**3 STREET LIGHT POLE/FOUNDATION DETAIL**  
90 SCALE: NONE



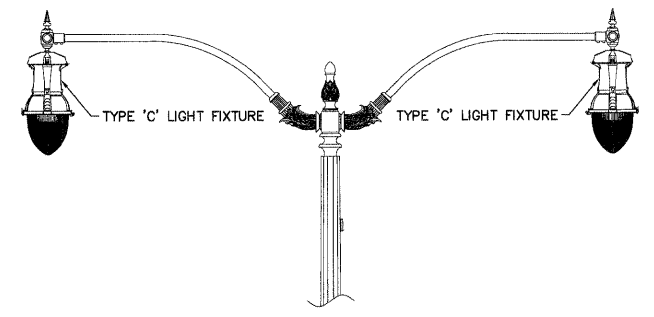
**4 WALKWAY LIGHT POLE/FOUNDATION DETAIL**  
90 SCALE: NONE



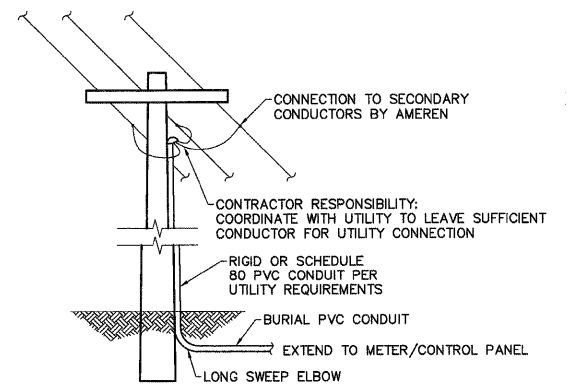
**6 ELECTRIC METER/CONTROL PANEL DETAIL**  
90 SCALE: NONE



**7 ELECTRIC SERVICE ENTRANCE DETAIL**  
90 SCALE: NONE



**5 TYPE C POST MOUNT**  
90 SCALE: NONE



NOV 28, 2011 3:40 PM MCDONOUGH  
Z:\11-056A\DRAWINGS\E3.1.DWG

**McDonough-Whitlow, P.C.**  
Consulting Engineers & Land Surveyors  
138 East Wood Street  
Hillsboro, IL 62049  
Phone: 217.532.9233  
Fax: 217.532.6300

DRAWING DATE	10/14/11	REVISION		BY	DATE
DESIGNED BY	MJF				
DRAWN BY	GDD				
CHECKED BY	GWW				

STATE OF ILLINOIS  
DEPARTMENT OF TRANSPORTATION

DETAILS

PROJECT NO.	11-095	F.A.U. RTE.	SECTION	COUNTY	TOTAL SHEETS	SHEET NO.
			10-00035-00-LS	Montgomery	92	90
FILENAME	E3.1.dwg				CONTRACT NO.	93563
DRAWING SCALE	NONE	FED. ROAD DIST. NO.	ILLINOIS	FED. AID PROJECT		