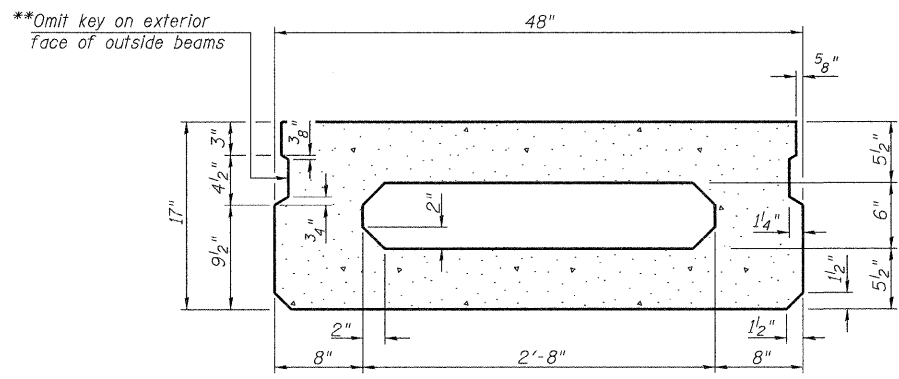
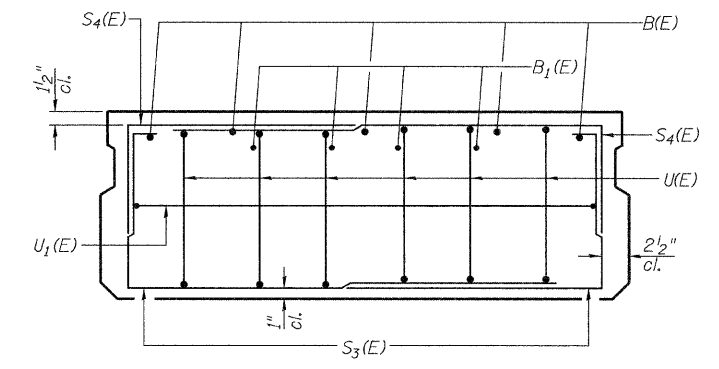


SECTION C-C

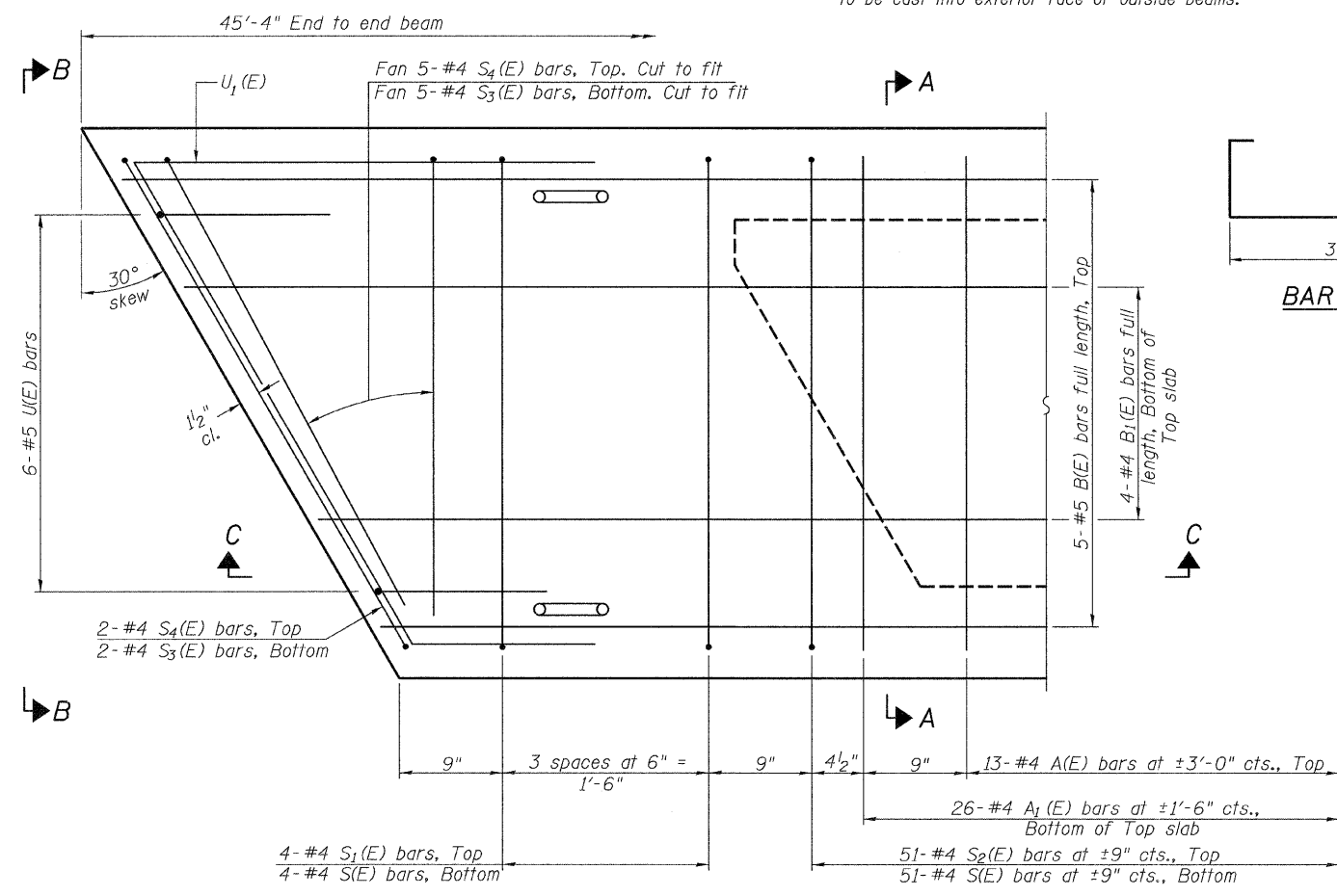


SECTION A-A
(Showing dimensions)

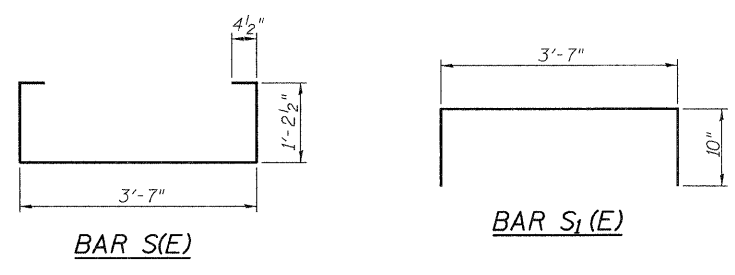


VIEW B-B

**Rail post anchor devices (Sheet 6 of 11) to be cast into exterior face of outside beams.

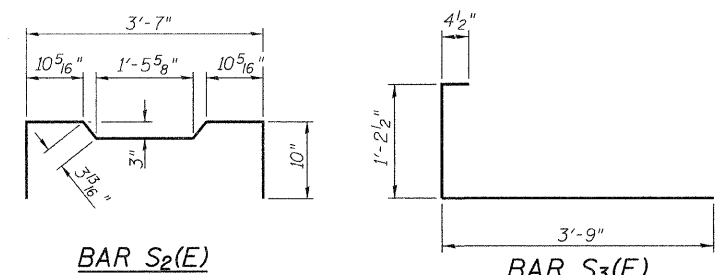


PLAN VIEW



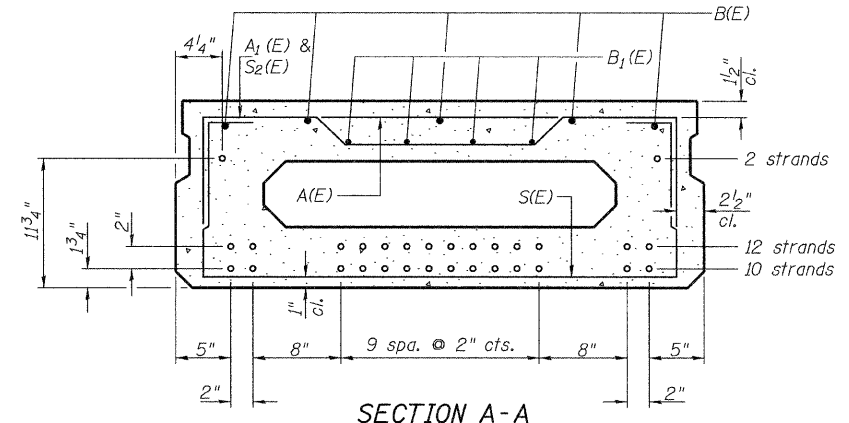
BAR S(E)

BAR S1(E)



BAR S2(E)

BAR S3(E)



SECTION A-A

24-1/2" Strands Each Strand Stressed to 30,900 Lbs.
10-Strands 1 3/4" up, 12-Strands 3 3/4" up, 2-Strands 11 3/4" up
Note: Place the number of strands specified in each row symmetrically about the centerline of beam in the permissible strand locations shown.

BAR LIST-ONE BEAM ONLY
(For information only)

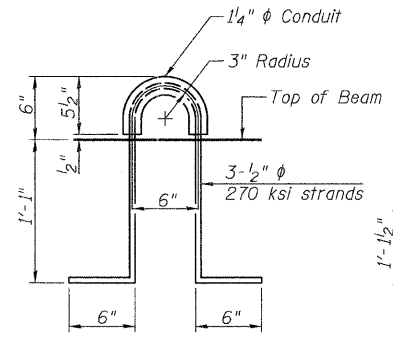
Bar	No.	Size	Length	Shape
A(E)	13	#4	3'-7"	—
A1(E)	26	#4	3'-10"	—
B(E)	5	#5	*45'-1"	—
B1(E)	4	#4	*45'-1"	—
S(E)	59	#4	6'-9"	□
S1(E)	8	#4	5'-3"	□
S2(E)	51	#4	5'-6"	□
S3(E)	14	#4	5'-4"	□
S4(E)	14	#4	4'-7"	□
U(E)	12	#5	3'-8"	□
U1(E)	2	#4	8'-7"	□

*Total Length, Lap as Necessary.

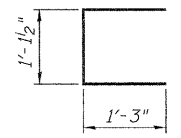
Note: See sheet 4 of 11 for additional details and Bill of Material.

Note: Spacing of S(E) and S2(E) bars may be adjusted up to 4" in the immediate area of the transverse tie diaphragms to miss the block outs for the transverse ties.

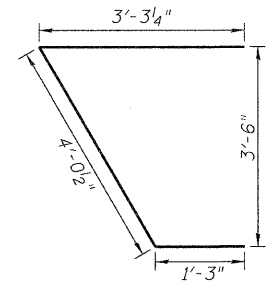
MINIMUM BAR LAP
#4 bar = 2'-0"
#5 bar = 2'-6"



LIFTING LOOP DETAIL



BAR U(E)



BAR U1(E)

SUPERSTRUCTURE DETAILS - SPAN 2
PIKE COUNTY
SECTION 11-00089-00-BR
C.H. 4 OVER NORTH FORK HADLEY CREEK

SHEET NO. 5 17 SHEETS	ROUTE NO. CH 4	SECTION 11-00089-00-BR	COUNTY PIKE	TOTAL SHEETS 28	SHEET NO. 12
	S.N. 075-3324		CONTRACT NO. 93564		
	FED. ROAD DIST. NO. 7 ILLINOIS		FED. AID PROJECT BRS-0596(105)		