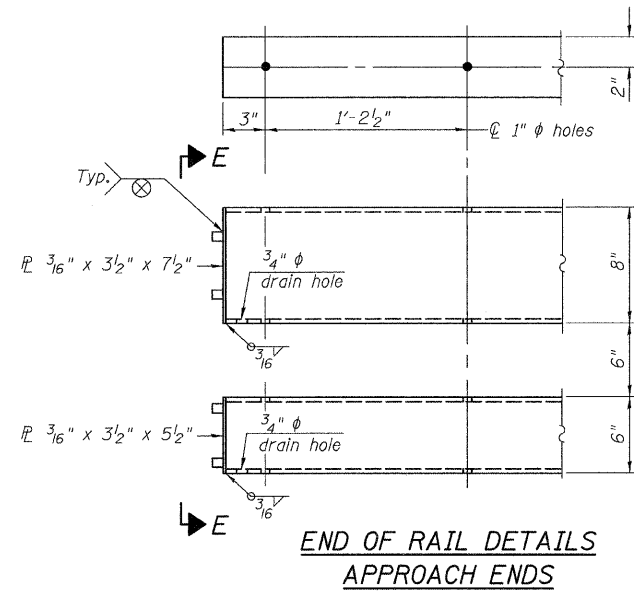
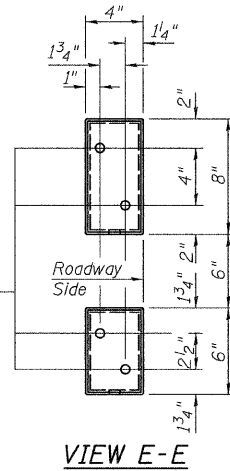


FOR RAIL POST SPACING SEE SH.#8 OF 11

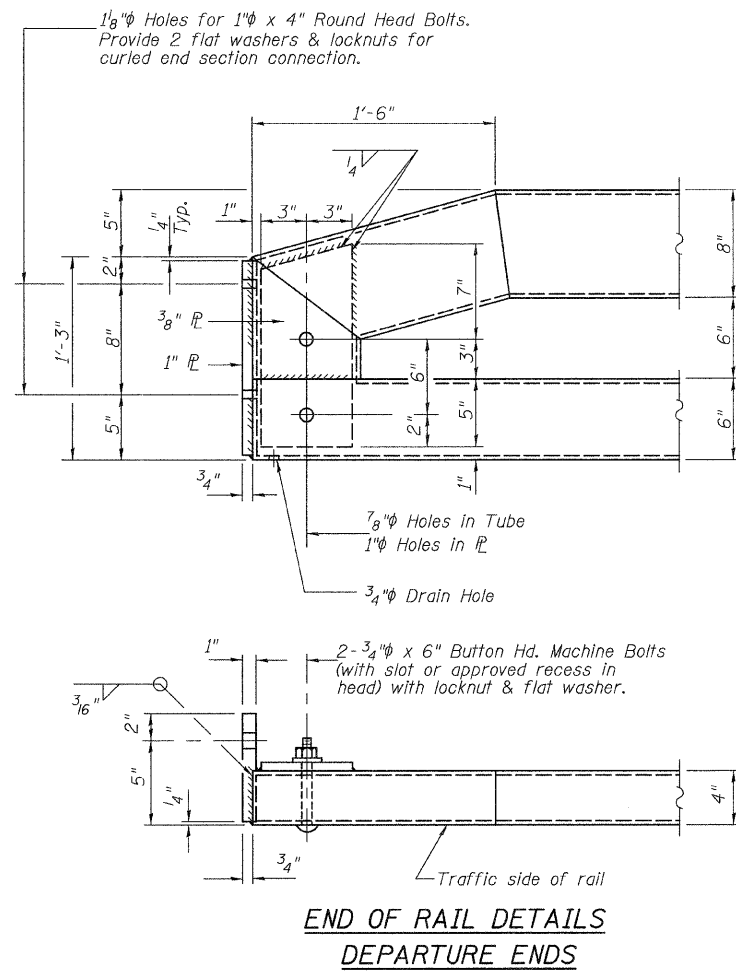


**END OF RAIL DETAILS
APPROACH ENDS**

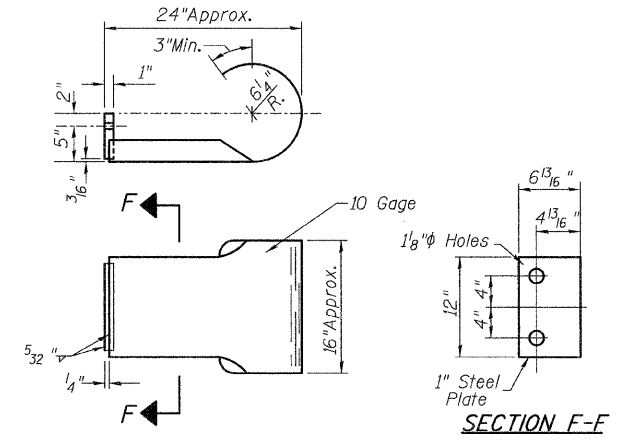
4 - 5/8" reduced base welded studs. Provide 4 - 5/8" washers and self-locking nuts or nuts and jam nuts for guardrail connection shown on Std. 631032.



VIEW E-E



**END OF RAIL DETAILS
DEPARTURE ENDS**



CURLED END SECTION

(2 Req'd) Cost Included with Steel Bridge Rail, Type SM (Special). Terminal Markers - Direct Applied shall be placed on end of each Curled End Section. (N.E. & S.W. Corners)

(Sheet 2 of 2)

STEEL BRIDGE RAIL, TYPE SM (SPECIAL)
PIKE COUNTY
SECTION 11-00089-00-BR
C.H. 4 OVER NORTH FORK HADLEY CREEK

SHEET NO. 7 17 SHEETS	ROUTE NO.	SECTION	COUNTY	TOTAL SHEETS	SHEET NO.
	CH 4	11-00089-00-BR	PIKE	28	14
	S.N. 075-3324			CONTRACT NO. 93564	
FED. ROAD DIST. NO. 7		ILLINOIS	FED. AID PROJECT BRS-0596(105)		