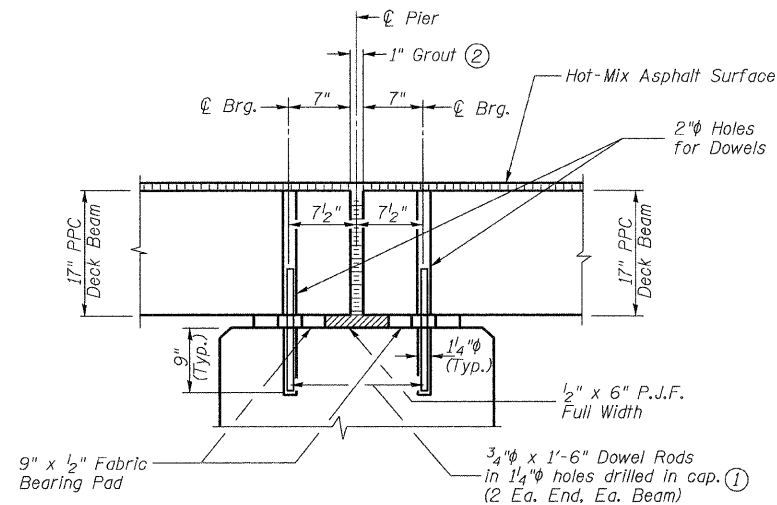
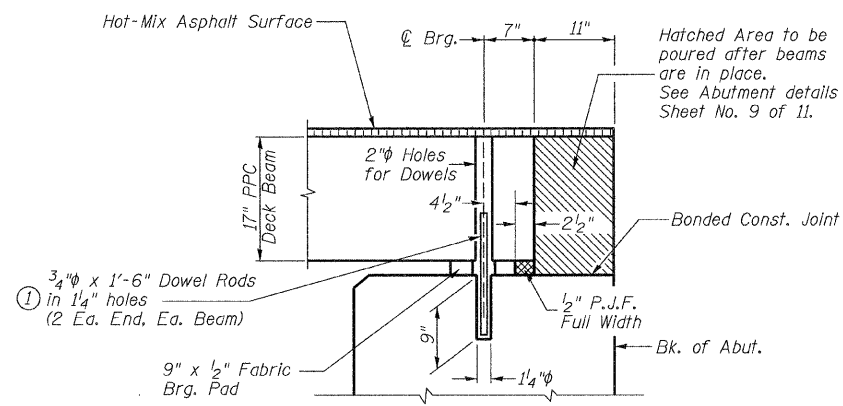


RAIL POST SPACING

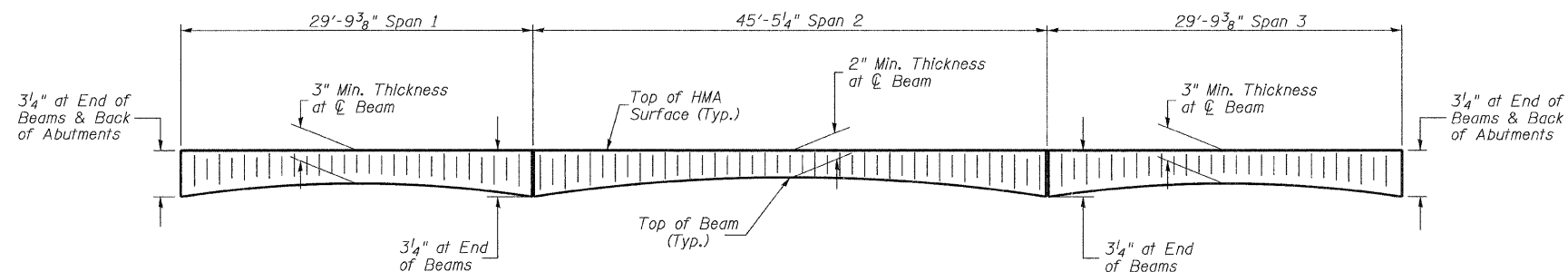


SECTION THRU PIERS
(At Right Angles)



SECTION THRU ABUTMENTS
(At Right Angles)

- ① Dowel Rods to be grouted after beams are in place and allowed to cure (Min. 24 hr.) prior to grouting the shear keys.
- ② 1" Joint shall be packed with a very dry mix of 2:1 sand and P.C. mortar. 1" Dimension may vary plus or minus to accommodate tolerance in beam lengths.



HOT-MIX ASPHALT SURFACE PROFILE
Includes Waterproofing Membrane System

RAIL POST SPACING AND SUPERSTRUCTURE DETAILS
PIKE COUNTY
SECTION 11-00089-00-BR
C.H. 4 OVER NORTH FORK HADLEY CREEK

SHEET NO. 8 17 SHEETS	ROUTE NO. CH 4	SECTION 11-00089-00-BR	COUNTY PIKE	TOTAL SHEETS 28	SHEET NO. 15
	S.N. 075-3324		CONTRACT NO. 93564		
	FED. ROAD DIST. NO. 7 ILLINOIS		FED. AID PROJECT BRS-0596(105)		