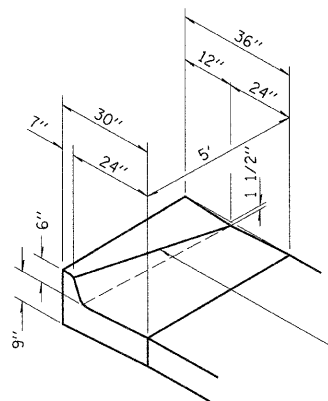


F.A.P. RTE.	SECTION	COUNTY	TOTAL SHEETS	SHEET NO.
95		JASPER	546	214
STA. TO STA.				
FED. ROAD DIST. NO.	ILLINOIS	FED. AID PROJECT		
*15,61Y,RS-2,6BR-7				
CONTRACT NO. 94437				

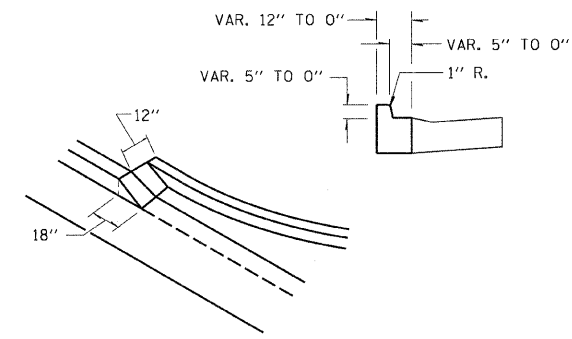
ALL DIMENSIONS ARE IN MILLIMETERS UNLESS OTHERWISE SHOWN.

THIS WORK SHALL BE CONSTRUCTED IN ACCORDANCE WITH APPLICABLE PORTIONS OF STANDARD 606001 AND SECTION 606 OF THE STANDARD SPECIFICATIONS. THIS WORK WILL BE PAID FOR AT THE CONTRACT UNIT PRICE PER METER FOR COMBINATION CONCRETE CURB AND GUTTER, TYPE B-6.24



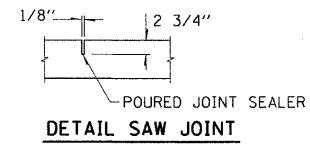
TAPER CURB HEIGHT FROM 6" TO 1 1/2"

**SPECIAL OUTLET FOR COMBINATION CURB AND GUTTER B-6.24**

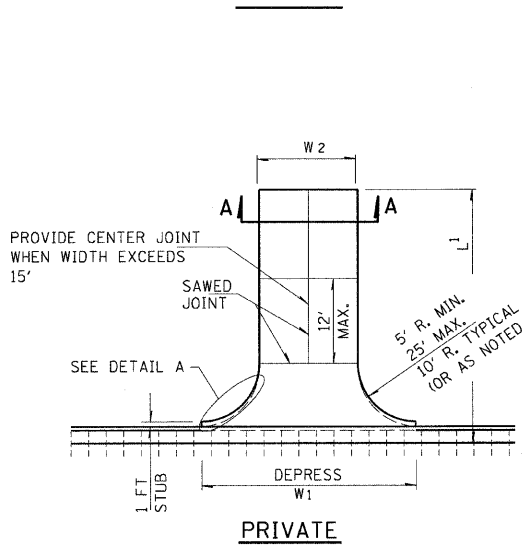


THE RAISED OUTER EDGES OF PRIVATE ENTRANCES SHALL BE MEASURED AND PAID AS P.C.C. DRIVEWAY PAVEMENT 6"

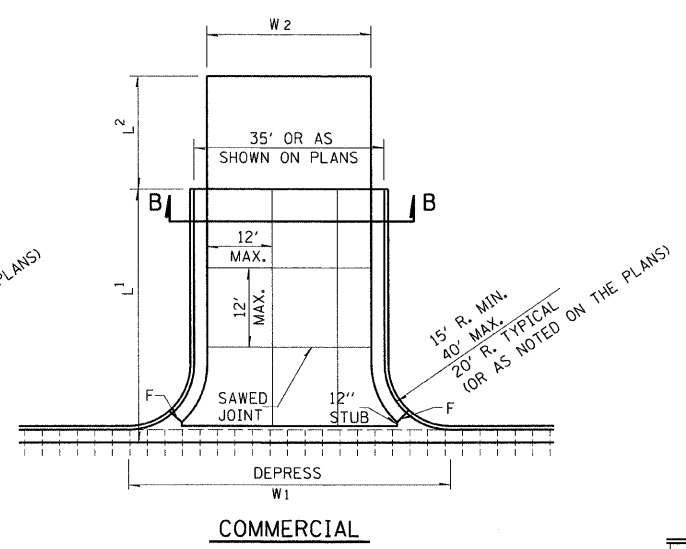
**DETAIL A**



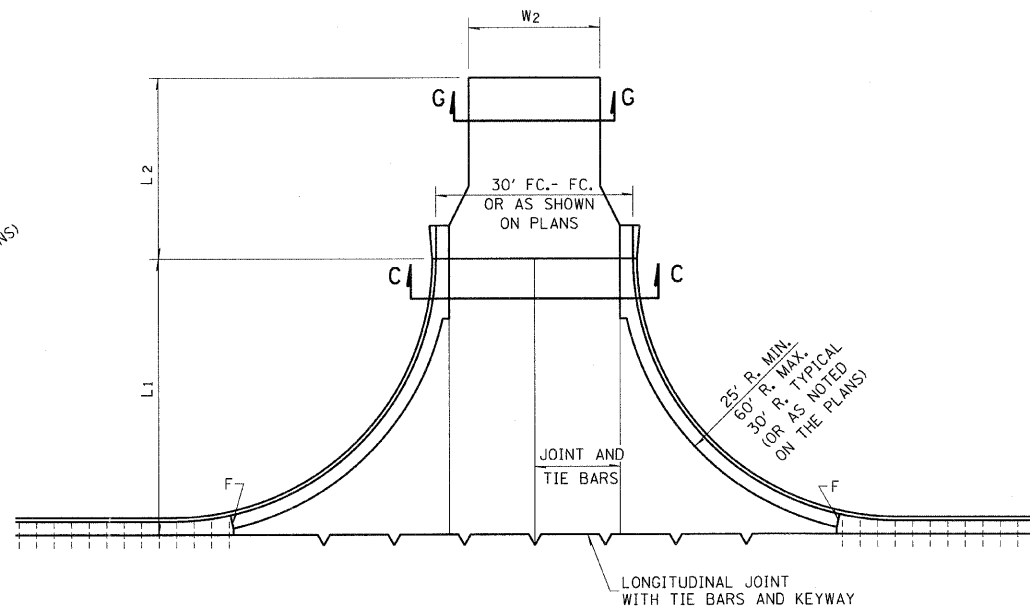
**DETAIL SAW JOINT**



**PRIVATE**



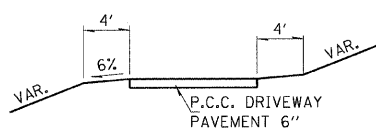
**COMMERCIAL**



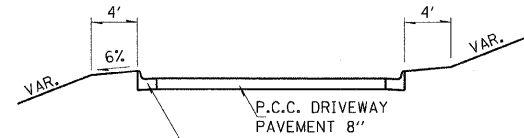
**STREET**

**NOTES**

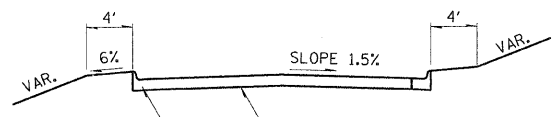
- OMIT TIE BARS WITHIN 15' OF MAINLINE PAVEMENT CONTRACTION JOINT OCCURRING WITHIN LIMITS OF ENTRANCES AND RADIUS RETURNS.
- CONTRACTION JOINTS IN MAINLINE PAVEMENT SHALL EXTEND THRU ENTRANCES AND RADIUS RETURNS. SAWED JOINTS SHALL BE ADJUSTED ACCORDINGLY.
- F = 1" PREFORMED EXPANSION JOINT FILLER.
- WHEN PAVEMENT IS CONSTRUCTED MONOLITHICALLY, THE JOINTS SHALL BE SAWED JOINTS WITH TIE BARS. WHEN CONSTRUCTED OTHERWISE, THE JOINTS SHALL BE LONGITUDINAL JOINTS WITH TIE BARS AND KEYWAY.
- DEPRESSED CURB & GUTTER THROUGH COMMERCIAL ENTRANCES SHALL BE PAID FOR AS DRIVEWAY PAVEMENT.
- DEPRESSED CURB AND GUTTER THROUGH PRIVATE ENTRANCES SHALL BE PAID FOR AS CURB AND GUTTER.



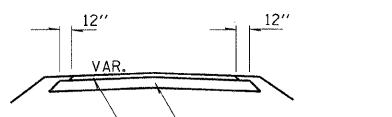
**SEC. A-A**



**SEC. B-B**



**SEC. C-C**



**SEC. G-G**

REVISIONS	
NAME	DATE

ILLINOIS DEPARTMENT OF TRANSPORTATION  
**URBAN ENTRANCE DETAIL**  
 FAP ROUTE 95 (IL RTE. 33)  
 SECTION (5,6)Y,RS-2,6BR-7  
 JASPER COUNTY

SCALE: VERT. \_\_\_\_\_  
 HORIZ. \_\_\_\_\_  
 DATE: 09/18/02

DRAWN BY: BISHOP  
 DESIGNED BY: COLBROOK  
 CHECKED BY: COLBROOK

COMPUTER FILE NO.  
 ENTRANCE - 50  
 PROJECT 01256  
 2/26/10-FAV

GREENE & BRADFORD, INC.  
 OF SPRINGFIELD