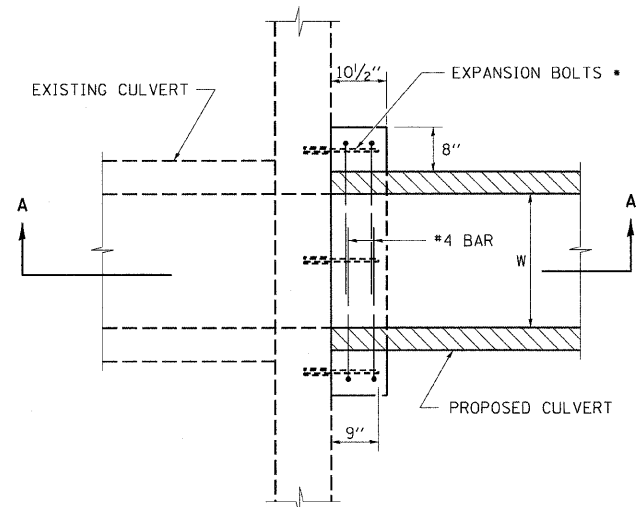


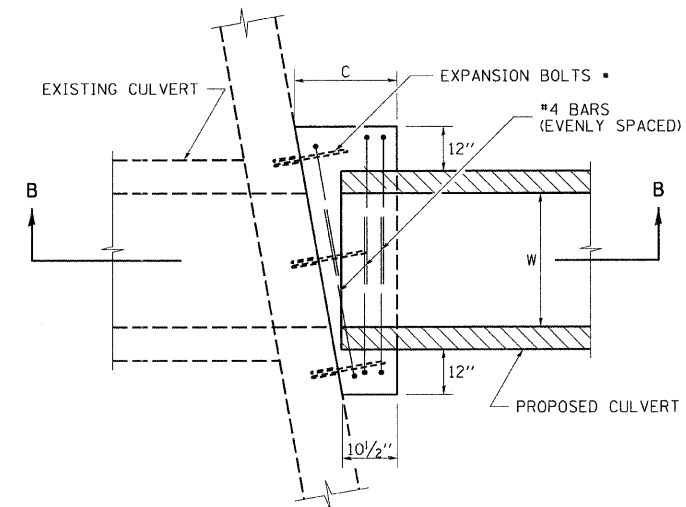
DESIGN		
INT.	DATE	REASON

DETAIL OF CONCRETE COLLAR FOR BOX CULVERT EXTENSIONS

F.A.P. RTE.	SECTION	COUNTY	TOTAL SHEETS	SHEET NO.
95	•	JASPER	546	237
STA. TO STA.				
FED. ROAD DIST. NO. ILLINOIS FED. AID PROJECT				
*15,61Y,RS-2,6BR-7				
CONTRACT NO. 94437				



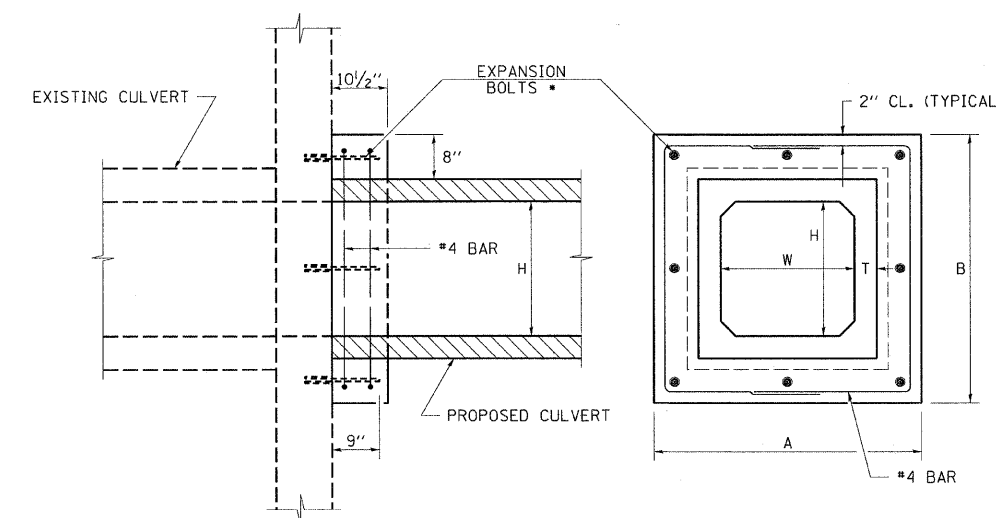
PLAN VIEW
(RIGHT ANGLE CULVERT)



PLAN VIEW
(SKEWED CULVERT)

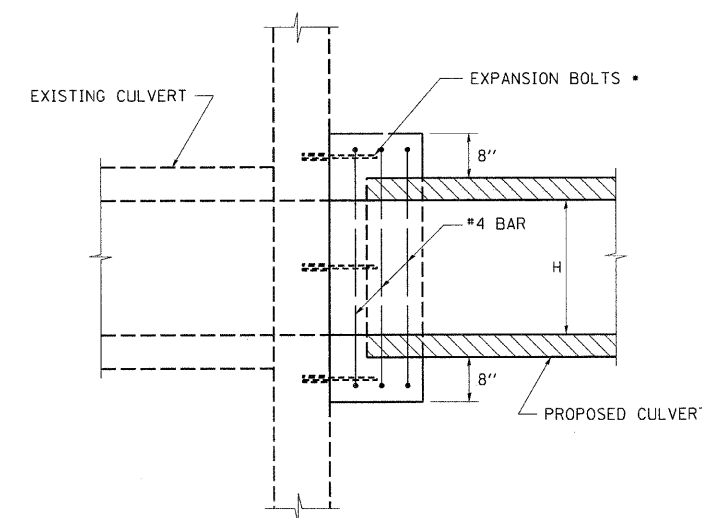
SIDE	STATION	DIMENSIONS						REINFORCEMENT BARS				CONCRETE COLLAR	EXPANSION BOLTS	
		A	B	C	W	H	T	G	J	L	NUMBER BARS			POUND
LT.	714+32.70	74	50	-	48	24	5	46	45	136	4	30	0.39	10
RT.	714+32.70	74	50	-	48	24	5	46	45	136	4	30	0.39	10
LT.	810+48.58	60	48	-	36	24	4	44	38	120	4	27	0.33	8
RT.	810+48.58	60	48	-	36	24	4	44	38	120	4	27	0.33	8
LT.	1083+12	60	48	-	36	24	4	44	38	120	8	60	0.83	
RT.	1083+12	60	48	-	36	24	4	44	38	120	8	60	0.83	
TOTALS											234	3.10	36	

PLOTS & CHECKS		
INT.	DATE	REASON



SECTION A-A

END VIEW

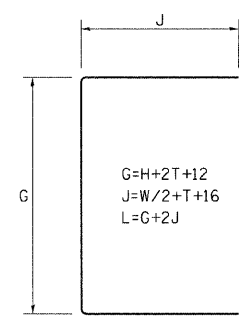


SECTION B-B

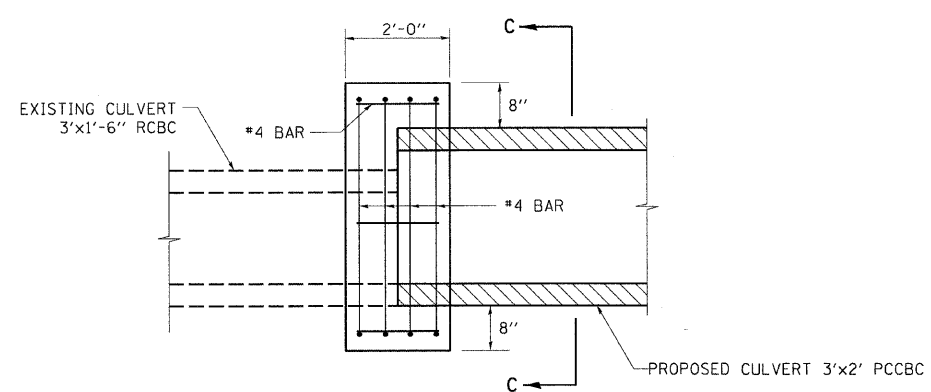
NOTE: EXPANSION BOLTS SHALL CONSIST OF SELF-DRILLING EXPANSION SHIELDS AND HOOKED BOLTS. HOOKED BOLTS SHALL EXTEND A MINIMUM OF 9" INTO THE NEW CONCRETE.

• SEE TABLE & DETAIL ON SHEET 236 FOR NUMBER & SPACING OF EXPANSION BOLTS

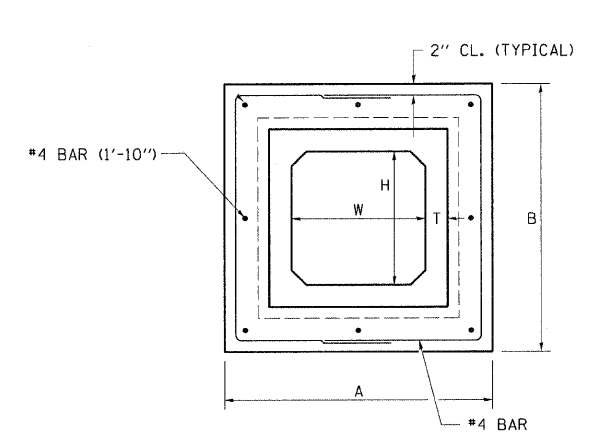
EXPANSION BOLTS SHALL BE PAID FOR AT THE CONTRACT UNIT PRICE PER EACH FOR EXPANSION BOLTS 3/4 INCH.



BAR DETAIL



ELEVATION VIEW



SECTION C-C

REVISIONS	
NAME	DATE

ILLINOIS DEPARTMENT OF TRANSPORTATION
CONCRETE COLLAR DETAIL
FOR BOX CULVERT EXTENSIONS
 FAP ROUTE 95 (IL RTE. 33)
 SECTION (5,6)Y,RS-2,6BR-7
 JASPER COUNTY

SCALE: VERT. DRAWN BY: BISHOP
 HORIZ. DESIGNED BY: COLBROOK
 DATE: 09/18/02 CHECKED BY: COLBROOK

GREENE & BRADFORD, INC.
 OF SPRINGFIELD
 PROFESSIONAL ENGINEERING FIRM NO. 001256
 ILLINOIS PROFESSIONAL ENGINEERING BOARD

COMPUTER FILE NO. PROJECT DETAILS - 50
 01256 2/26/10-FAV