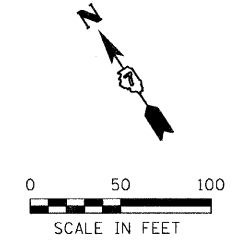
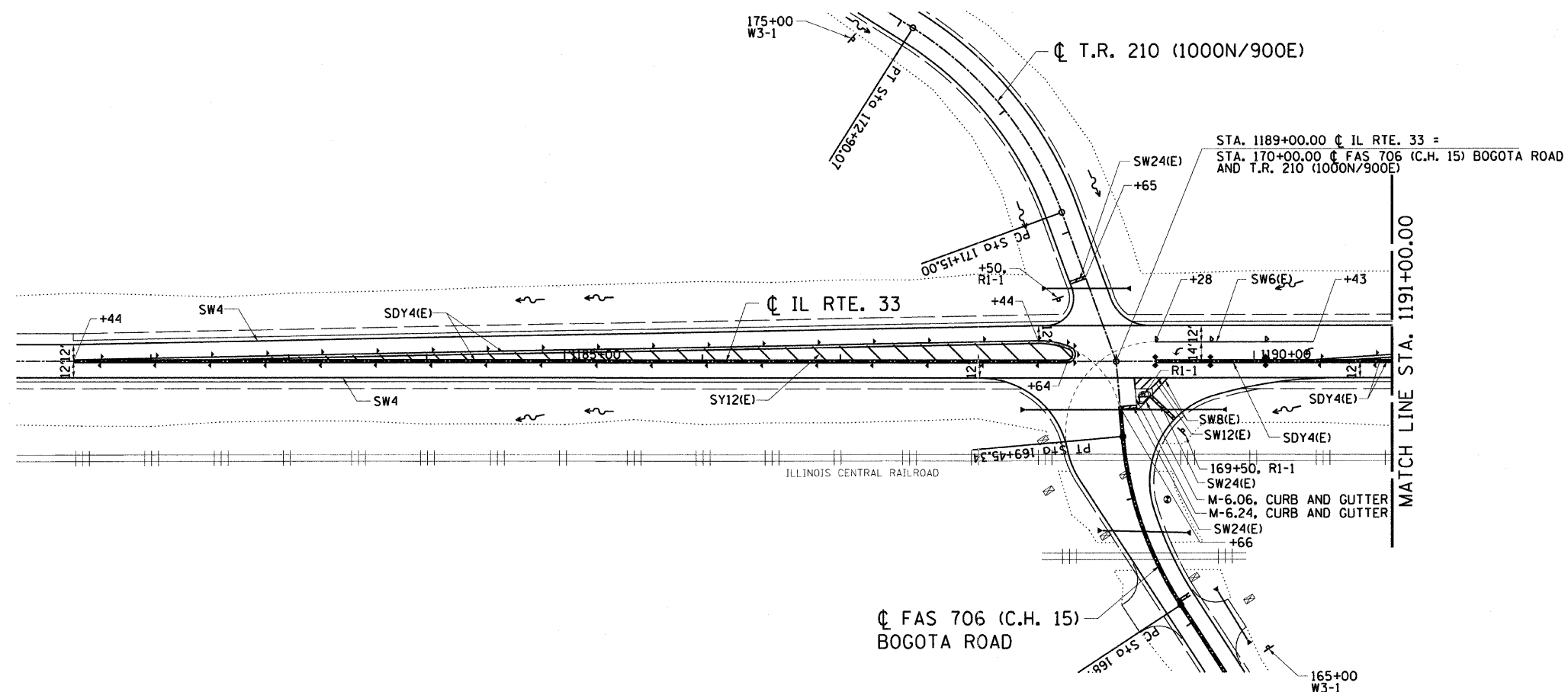


DESIGN		
INT.	DATE	REASON

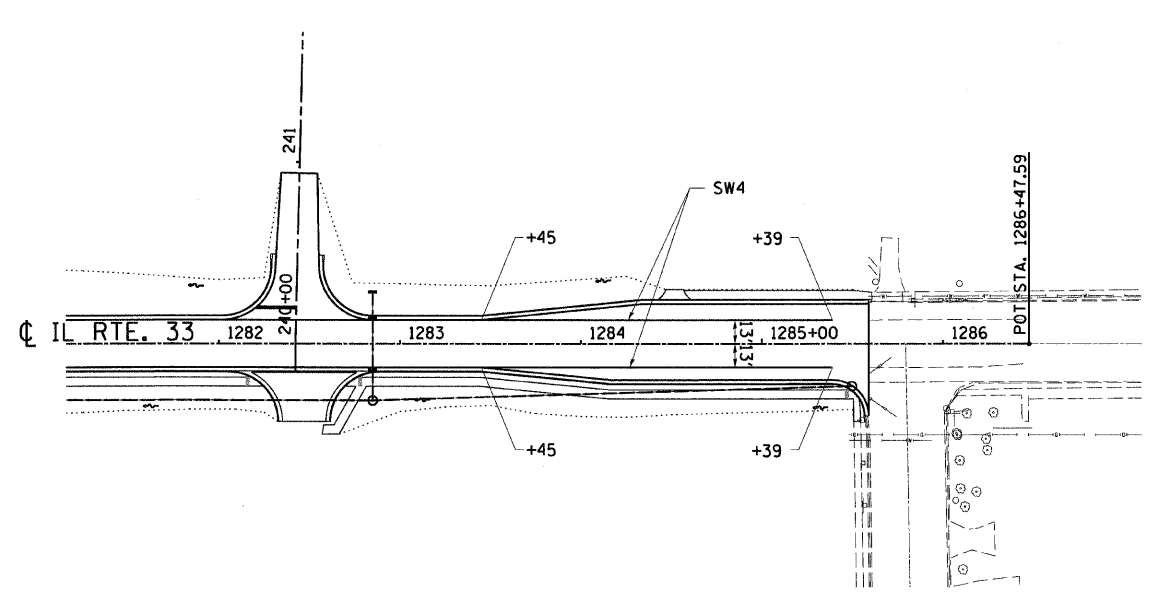
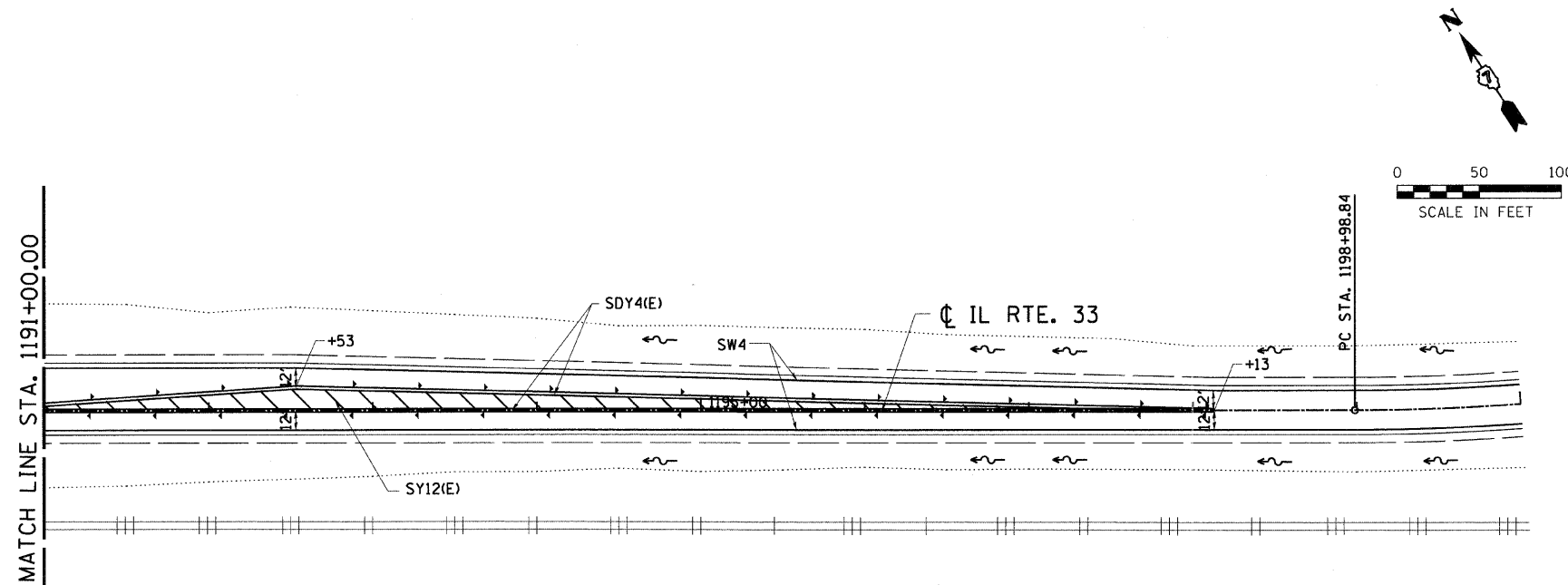
F.A.P. RTE.	SECTION	COUNTY	TOTAL SHEETS	SHEET NO.
95		JASPER	546	240
STA. 1185+00.00 TO STA. 1210+00.00				
FED. ROAD DIST. NO. ILLINOIS FED. AID PROJECT				
*15,61Y,RS-2,6BR-7				
CONTRACT NO. 94437				



LEGEND

- SDY4(E) - EPOXY PAVEMENT MARKING - LINE 4" (SOLID DOUBLE YELLOW)
- SW24(E) - EPOXY PAVEMENT MARKING - LINE 24" (SOLID WHITE)
- SW6(E) - EPOXY PAVEMENT MARKING - LINE 6" (SOLID WHITE)
- SW4 - EPOXY PAVEMENT MARKING - LINE 4" (SOLID WHITE)
- SW8(E) - EPOXY PAVEMENT MARKING - LINE 8" (SOLID YELLOW)
- SW12(E) - EPOXY PAVEMENT MARKING - LINE 12" (SOLID YELLOW)
- RAISED REFLECTIVE PAVEMENT MARKERS

PLOTS & CHECKS		
INT.	DATE	REASON



CHECKS		
INT.	DATE	REASON

ILLINOIS DEPARTMENT OF TRANSPORTATION
PAVEMENT STRIPING PLAN
FAP ROUTE 95 (IL RTE. 33)
SECTION (5,6)Y,RS-2,6BR-7
JASPER COUNTY

REVISIONS	
NAME	DATE

SCALE: VERT. _____
HORIZ. _____
DATE: 09/16/02

DRAWN BY: BISHOP
DESIGNED BY: COLBROOK
CHECKED BY: COLBROOK

COMPUTER FILE NO.
STRIPING-2
PROJECT 01256
2/26/10-FAV

GREENE & BRADFORD, INC.
OF SPRINGFIELD
CONSULTING ENGINEERS
2300 N. WASHINGTON ST.
SPRINGFIELD, ILLINOIS 62761
PROFESSIONAL ENGINEERS
REGISTERED IN THE STATE OF ILLINOIS
OFFICE NO. 0217-0271 811-4444
WWW.GRENEANDBRADFORD.COM