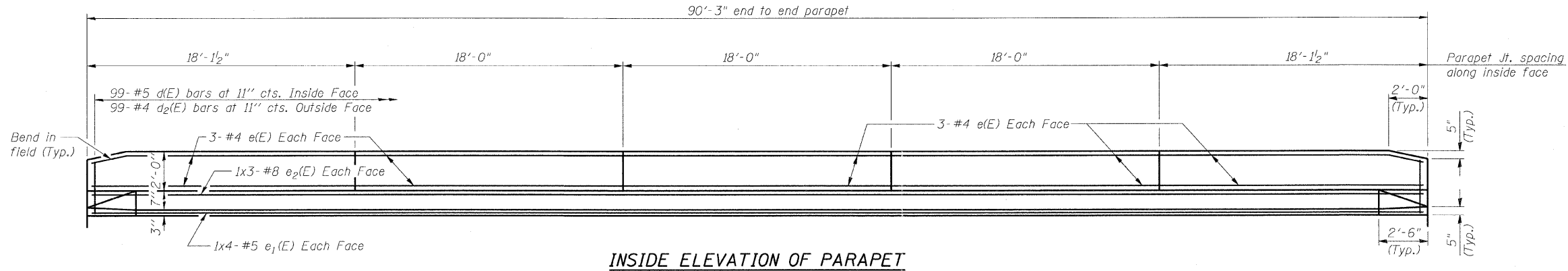


STATE OF ILLINOIS
DEPARTMENT OF TRANSPORTATION

ROUTE NO.	SECTION	COUNTY	TOTAL SHEETS	SHEET NO.	SHEET NO. 8 18 SHEETS
FAP 95	6BR-7	JASPER	546	248	
FED. ROAD DIST. NO.	ILLINOIS	FED. AID PROJECT-			

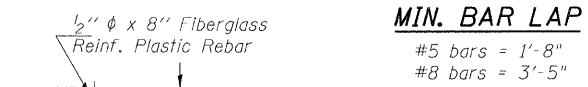
Contract No. 94437



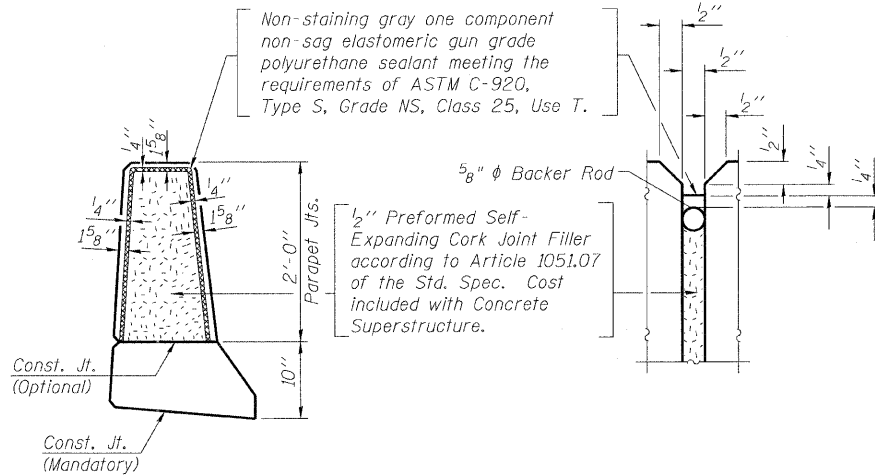
INSIDE ELEVATION OF PARAPET

SUPERSTRUCTURE
BILL OF MATERIAL

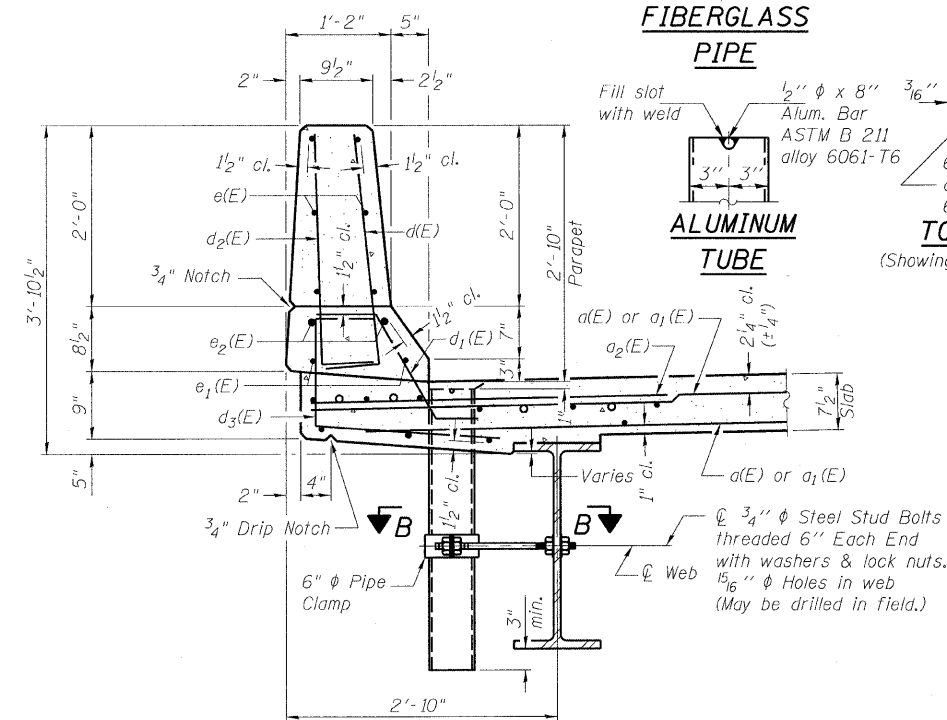
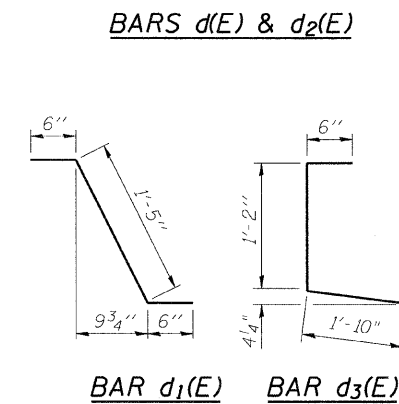
Bar	No.	Size	Length	Shape	
a(E)	263	#5	17'-6"	—	
a1(E)	263	#5	24'-6"	—	
a2(E)	154	#6	4'-6"	—	
a3(E)	4	#5	19'-6"	—	
a4(E)	4	#5	28'-6"	—	
b(E)	184	#5	23'-9"	—	
b1(E)	129	#5	31'-2"	—	
d(E)	198	#5	3'-0"	┌	
d1(E)	186	#5	2'-5"	┌	
d2(E)	198	#4	3'-0"	┌	
d3(E)	198	#4	3'-6"	┌	
d4(E)	12	#5	2'-7"	┌	
e(E)	60	#4	17'-9"	—	
e1(E)	16	#5	23'-9"	—	
e2(E)	12	#8	32'-4"	—	
m(E)	4	#6	19'-8"	—	
m1(E)	6	#6	20'-6"	—	
m2(E)	14	#6	9'-8"	—	
m3(E)	10	#6	6'-0"	—	
m4(E)	4	#6	2'-6"	—	
m5(E)	2	#6	2'-7"	—	
m6(E)	2	#6	3'-3"	—	
m7(E)	4	#6	27'-10"	—	
m8(E)	6	#6	28'-8"	—	
s(E)	96	#5	5'-7"	┌	
s1(E)	84	#4	10'-0"	┌	
v(E)	82	#5	3'-2"	┌	
Reinforcement Bars, Epoxy Coated				Pound	28,080
Concrete Superstructure				Cu. Yds.	147.9



Non-staining gray one component non-sag elastomeric gun grade polyurethane sealant meeting the requirements of ASTM C-920, Type S, Grade NS, Class 25, Use T.

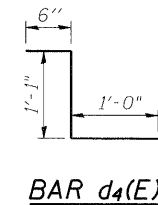
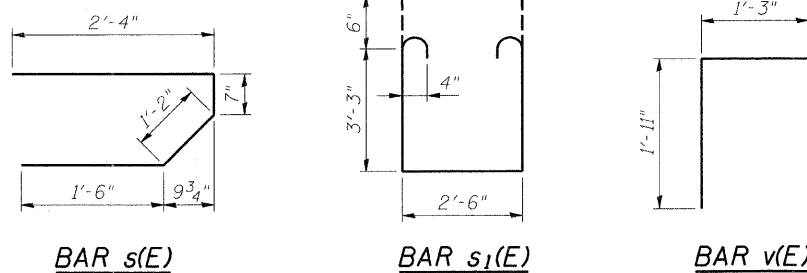
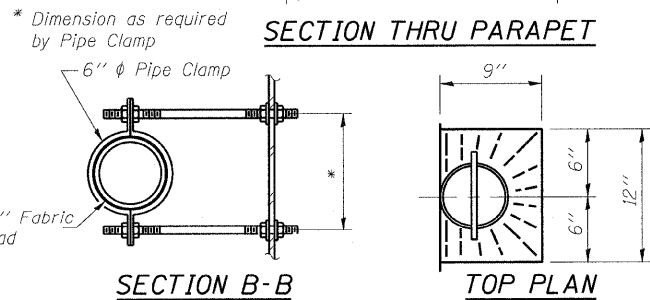


PARAPET JOINT DETAILS



SECTION THRU PARAPET

Notes:
The exterior surfaces of the floor drains shall be painted with the finish coat as specified in the special provisions for Cleaning and Painting New Metal Structures. The exterior surfaces of the drains shall be cleaned according to Steel Structures Painting Council's Spec. SSPC-SP1 prior to painting. Fiberglass pipe shall conform to ASTM D 2996, with short-time rupture strength hoop tensile stress of 30,000 p.s.i. minimum.



REVISIONS	
NAME	DATE

ILLINOIS DEPARTMENT OF TRANSPORTATION
SUPERSTRUCTURE DETAILS
IL RTE 33 OVER WEST FORK OF BIG MUDDY CREEK
FAP RTE 95 - SECTION 6BR-7
JASPER COUNTY
STATION 729+72.50
SN 040-0021

SCALE: VERT. HORIZ.
DATE: 8/25/04

DESIGNED BY: LANDREY
CHECKED BY: SANFORD
COMPUTER FILE NO. 012565D
PROJECT 01256
2/26/10-FAV

GREENE & BRADFORD, INC.
OF SPRINGFIELD
REGISTERED PROFESSIONAL ENGINEERS
ILLINOIS LICENSE NO. 021-0001
PROFESSIONAL ENGINEER (P.E.) IN MECHANICAL ENGINEERING
SINCE 1984

FILE NAME = I:\0165\DRAWINGS\SN040-0021\02265D.dgn
PLOT SCALE = 1/8"=1'-0"
PLOT DATE = 3/17/2010
PLOT TIME = 5:16:06 PM
OPERATOR = Franky