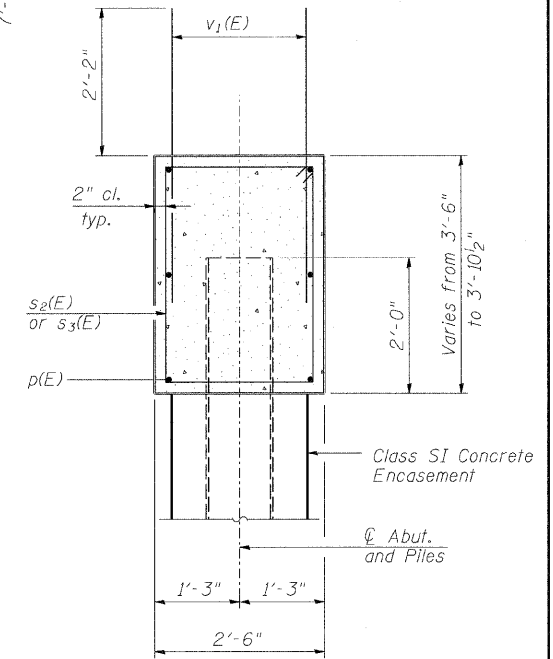
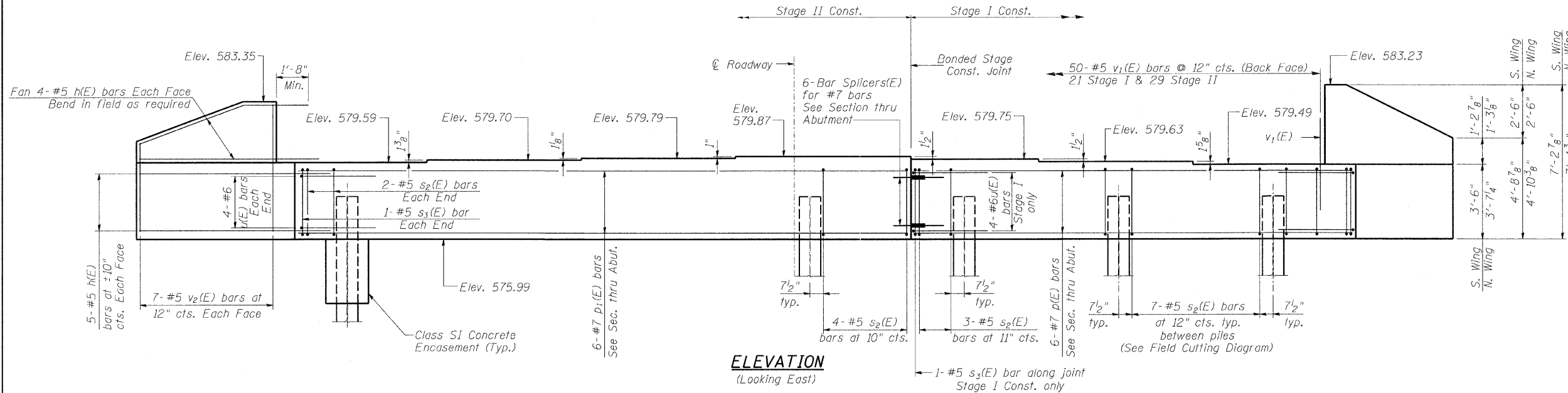


Notes:
 Pour steps monolithically with cap.
 Reinforcement bars designated (E)
 shall be epoxy coated.

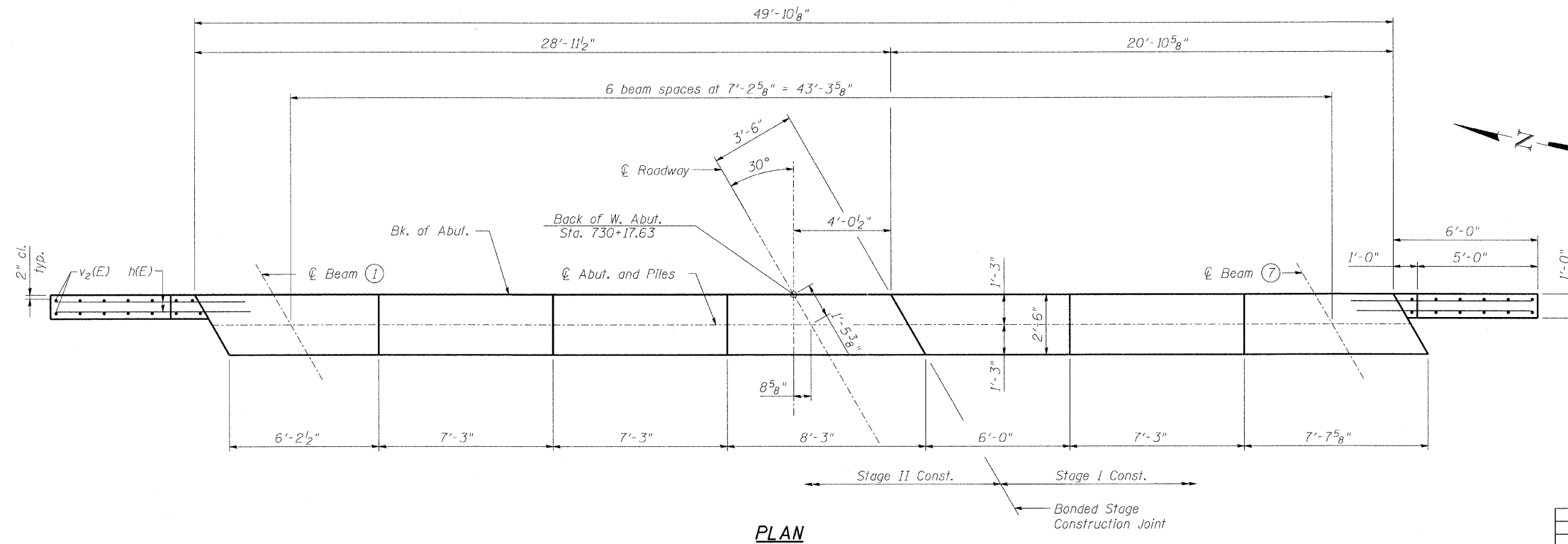
STATE OF ILLINOIS
 DEPARTMENT OF TRANSPORTATION

ROUTE NO.	SECTION	COUNTY	TOTAL SHEETS	SHEET NO.	SHEET NO. 14 18 SHEETS
FAP 95	6BR-7	JASPER	546	254	
FED. ROAD DIST. NO.	ILLINOIS	FED. AID PROJECT-	Contract No. 94437		



SECTION THRU ABUT.

MIN. BAR LAP
 #7 bars = 3'-5"



REVISIONS	
NAME	DATE

ILLINOIS DEPARTMENT OF TRANSPORTATION
EAST ABUTMENT
 IL RTE 33 OVER WEST FORK OF BIG MUDDY CREEK
 FAP RTE 95 - SECTION 6BR-7
 JASPER COUNTY
 STATION 729+72.50
 SN 040-0021

SCALE: VERT.
 HORIZ.
 DATE: 8/25/04

DRAWN BY: LANDREY
 DESIGNED BY: SANFORD
 CHECKED BY: WATKINS

COMPUTER FILE NO.
 01256EAB
 PROJECT 01256
 2/26/10-FAV

GREENE & BRADFORD, INC.
 OF SPRINGFIELD
 REGISTERED PROFESSIONAL ENGINEERS
 PROFESSIONAL ENGINEERING FIRM NO. 024-0000
 601 N. 10TH ST., SPRINGFIELD, ILL. 62761-1000

FILE NAME = I:\01056\DRAWINGS\N040-0021\0256EAB.dwg
 PLOT SCALE = 28' = 1" DRW = V8L TDS700.PS LOCAL PLOT CFG
 PLOT DATE = 3/17/2010
 PLOT TIME = 5:17:32 PM
 OPERATOR = TFRANKV