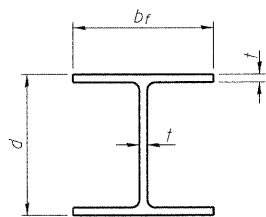


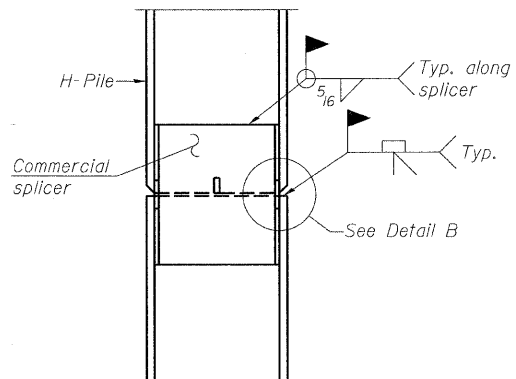
STATE OF ILLINOIS
DEPARTMENT OF TRANSPORTATION

ROUTE NO.	SECTION	COUNTY	TOTAL SHEETS	SHEET NO.	SHEET NO. 17 18 SHEETS
FAP 95	6BR-7	JASPER	546	257	
FED. ROAD DIST. NO.	ILLINOIS	FED. AID PROJECT	Contract No. 94437		

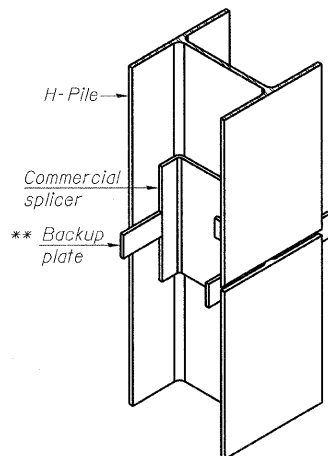


STEEL PILE TABLE

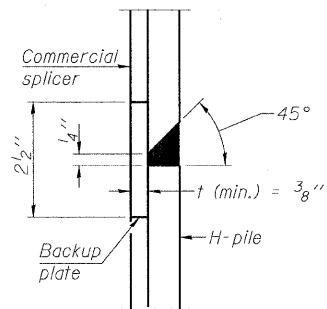
Designation	Depth d	Flange width bf	Web and Flange thickness t	Encasement diameter A
HP 14x117	14 1/4"	14 7/8"	13/16"	30"
x102	14"	14 3/4"	11/16"	30"
x89	13 7/8"	14 3/4"	5/8"	30"
x73	13 5/8"	14 5/8"	1/2"	30"
HP 12x84	12 1/4"	12 1/4"	11/16"	24"
x74	12 1/8"	12 1/4"	5/8"	24"
x63	12"	12 1/8"	1/2"	24"
x53	11 3/4"	12"	7/16"	24"
HP 10x57	10"	10 1/4"	9/16"	24"
x42	9 3/4"	10 1/8"	7/16"	24"
HP 8x36	8"	8 1/8"	7/16"	18"



ELEVATION

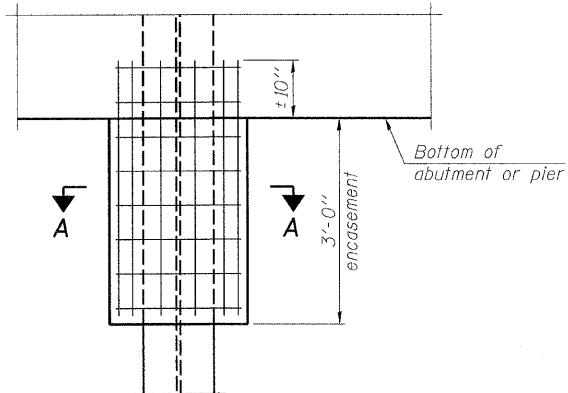


ISOMETRIC VIEW



DETAIL "B"

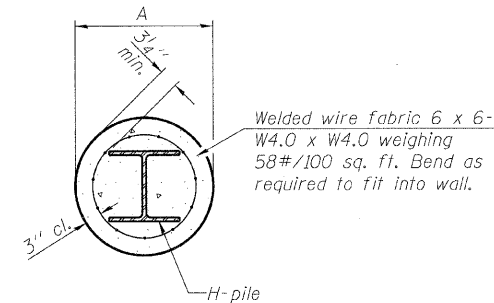
WELDED COMMERCIAL SPLICE



ELEVATION

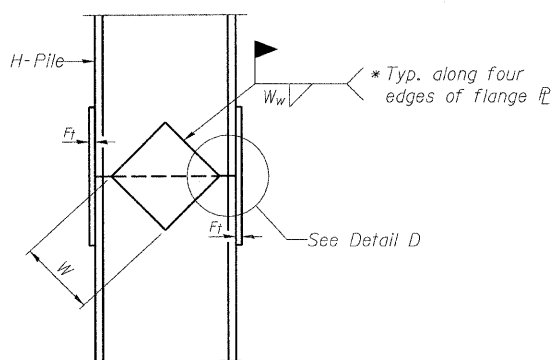
PILE ENCASUREMENT

Note:
The Cost of Excavation, Concrete Encasement and Reinforcement is Included with Furnishing Piles.

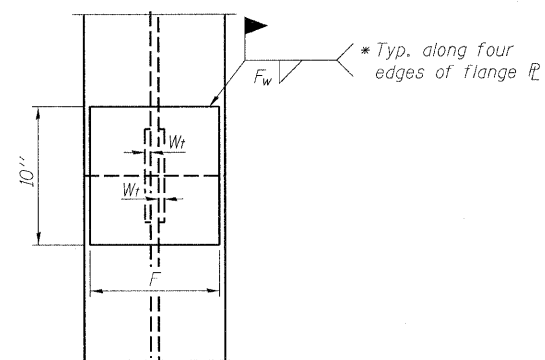


SECTION A-A

Note:
Forms for encasement may be omitted when soil conditions permit.



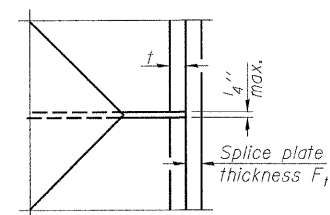
ELEVATION



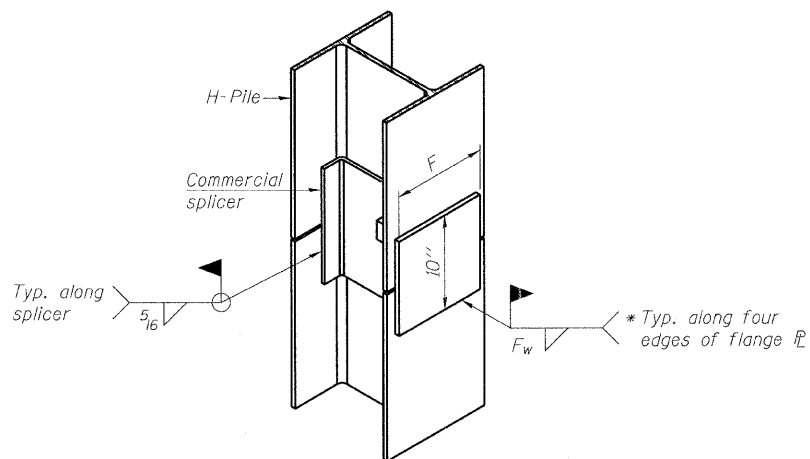
END VIEW

Designation	F	Ft	Fw	W	Wt	Ww
HP 14x117	12 1/2"	1"	7/8"	7 3/4"	5 1/2"	1/2"
x102	12 1/2"	7/8"	3/4"	7 3/4"	5 1/2"	1/2"
x89	12 1/2"	3/4"	11/16"	7 3/4"	5 1/2"	1/2"
x73	12 1/2"	5/8"	9/16"	7 3/4"	5 1/2"	1/2"
HP 12x84	10"	7/8"	11/16"	6 1/2"	5 1/2"	1/2"
x74	10"	7/8"	11/16"	6 1/2"	5 1/2"	1/2"
x63	10"	5/8"	1/2"	6 1/2"	1/2"	3/8"
x53	10"	5/8"	1/2"	6 1/2"	1/2"	3/8"
HP 10x57	8"	3/4"	9/16"	5 1/4"	1/2"	3/8"
x42	8"	5/8"	9/16"	5 1/4"	1/2"	3/8"
HP 8x36	7"	5/8"	7/16"	4 1/4"	1/2"	3/8"

WELDED PLATE FIELD SPLICE



DETAIL D

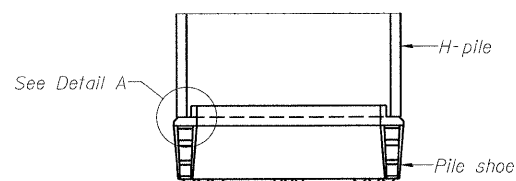


ISOMETRIC VIEW

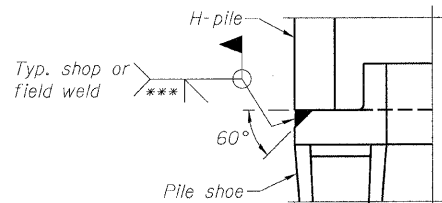
WELDED COMMERCIAL SPLICE ALTERNATE

- * Interrupt welds 1/4" from end of web and/or each flange.
- ** Remove portions of backup plates that extend outside the flanges.
- *** Weld size per pile shoe manufacturer (5/16" min.).

Note:
The steel H-piles shall be according to AASHTO M270 Grade 50.



ELEVATION



DETAIL A

H-PILE SHOE ATTACHMENT

REVISIONS	
NAME	DATE

ILLINOIS DEPARTMENT OF TRANSPORTATION
HP PILE DETAILS
IL RTE 33 OVER WEST FORK OF BIG MUDDY CREEK
FAP RTE 95 - SECTION 6BR-7
JASPER COUNTY
STATION 729+72.50
SN 040-0021

SCALE: VERT. _____
DATE: 8/25/04

DESIGNED BY: LANDREY
CHECKED BY: WATKINS

PROJECT 01256
2/26/10-FAV

GREENE & BRADFORD, INC.
CONSULTING ENGINEERS
3800 W. STATE ST., SUITE 200
MOUNTAIN VIEW, ILL. 60054
TEL: 630.469.1100 FAX: 630.469.1101
WWW.GREENE-AND-BRADFORD.COM

FILE NAME = I:\OPER\DRAWINGS\SMO\02\0256\HPDD.dwg
PLOT SCALE = 1/8"=1'-0"
PLOT DATE = 3/17/2010
PLOT TIME = 5:18:05 PM
OPERATOR = Franky