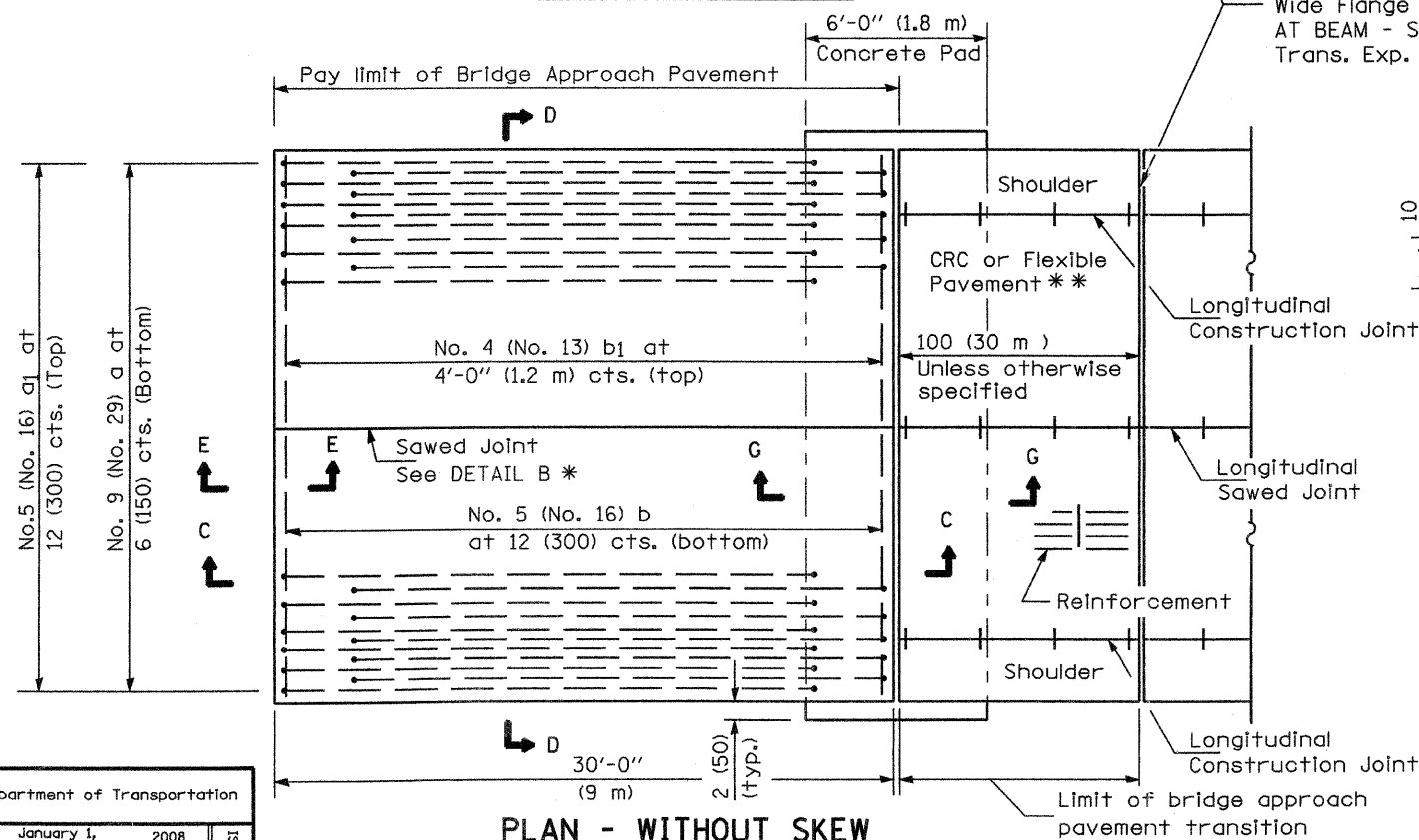


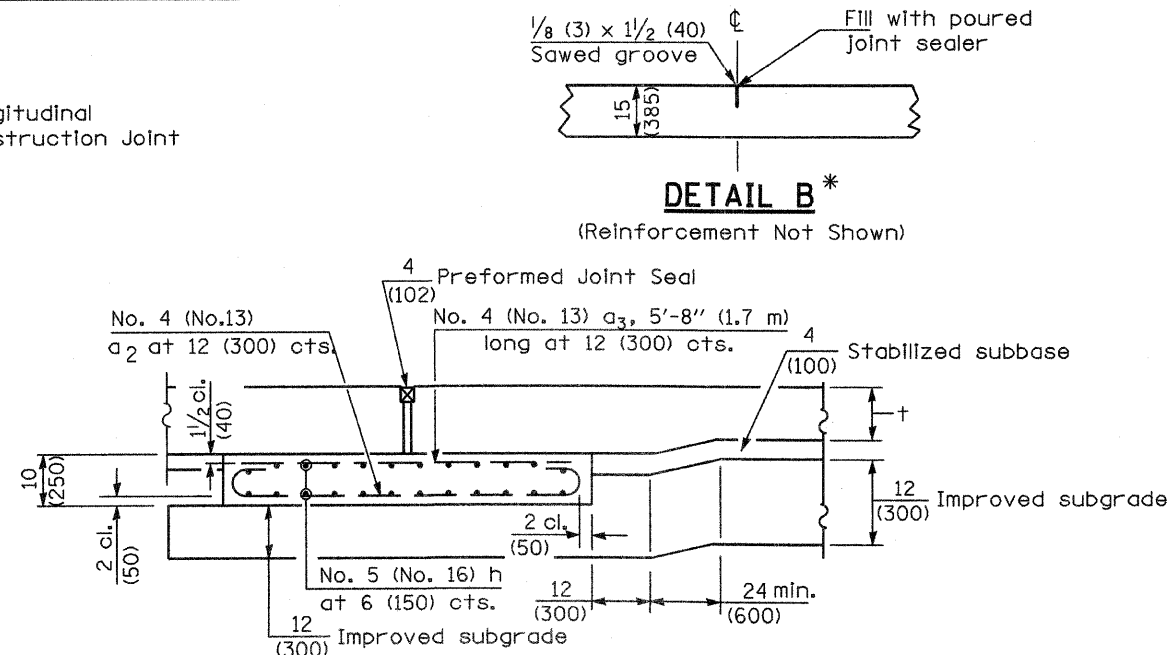
**PLAN - WITH SKEW**



**PLAN - WITHOUT SKEW**

\* Saw  $\zeta$  or lane edge if poured two or more lane widths at a time.  
 \*\* Omit Reinforcement, tie bars and Long. sawed Jt. for Flexible Pavement.

**NEW CONSTRUCTION**

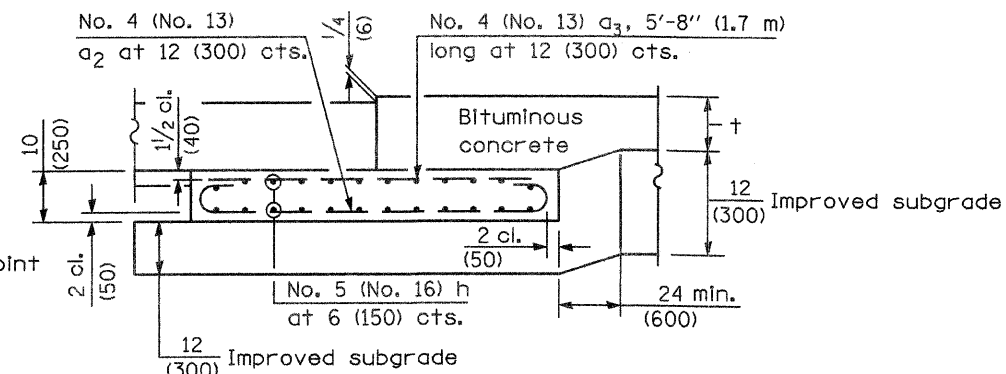


**SECTION G-G - RIGID PAVEMENT**

(Showing reinforcement)

Rigid Pavement only:

Wide Flange Beam Terminal Joint (See DETAIL AT BEAM - Standard 421101 or 421106) or 2 (50) Trans. Exp. Joint as detailed on Standard 420001.



**SECTION G-G - FLEXIBLE PAVEMENT**

(Showing reinforcement)

**GENERAL NOTES**

THICKNESS-"t"=Thickness of Pavement.  
 See Standard 421001 for reinforcement details not shown.  
 See Standard 420001 for joint details not shown.  
 All dimensions are in inches (millimeters) unless otherwise shown.

Illinois Department of Transportation  
 APPROVED January 1, 2008  
 ENGINEER OF BRIDGES AND STRUCTURES  
 APPROVED January 1, 2008  
 ENGINEER OF DESIGN AND ENVIRONMENT

DATE	REVISIONS
1-1-08	Switched units to English (metric). Moved rebar epoxy coat note to Standard Spec.
1-1-04	Rev. size of Trans. Exp. Jt. and soft converted metric reinf.

BRIDGE APPROACH PAVEMENT			
(Sheet 1 of 4)			
CONTRACT NO.	COUNTY	TOTAL SHEETS	SHEET NO.
94437	JASPER	546	258A