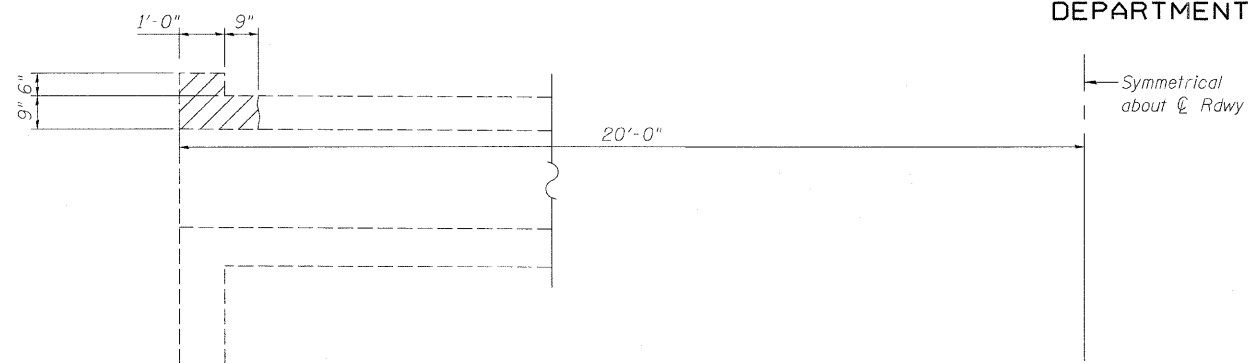


STATE OF ILLINOIS
DEPARTMENT OF TRANSPORTATION

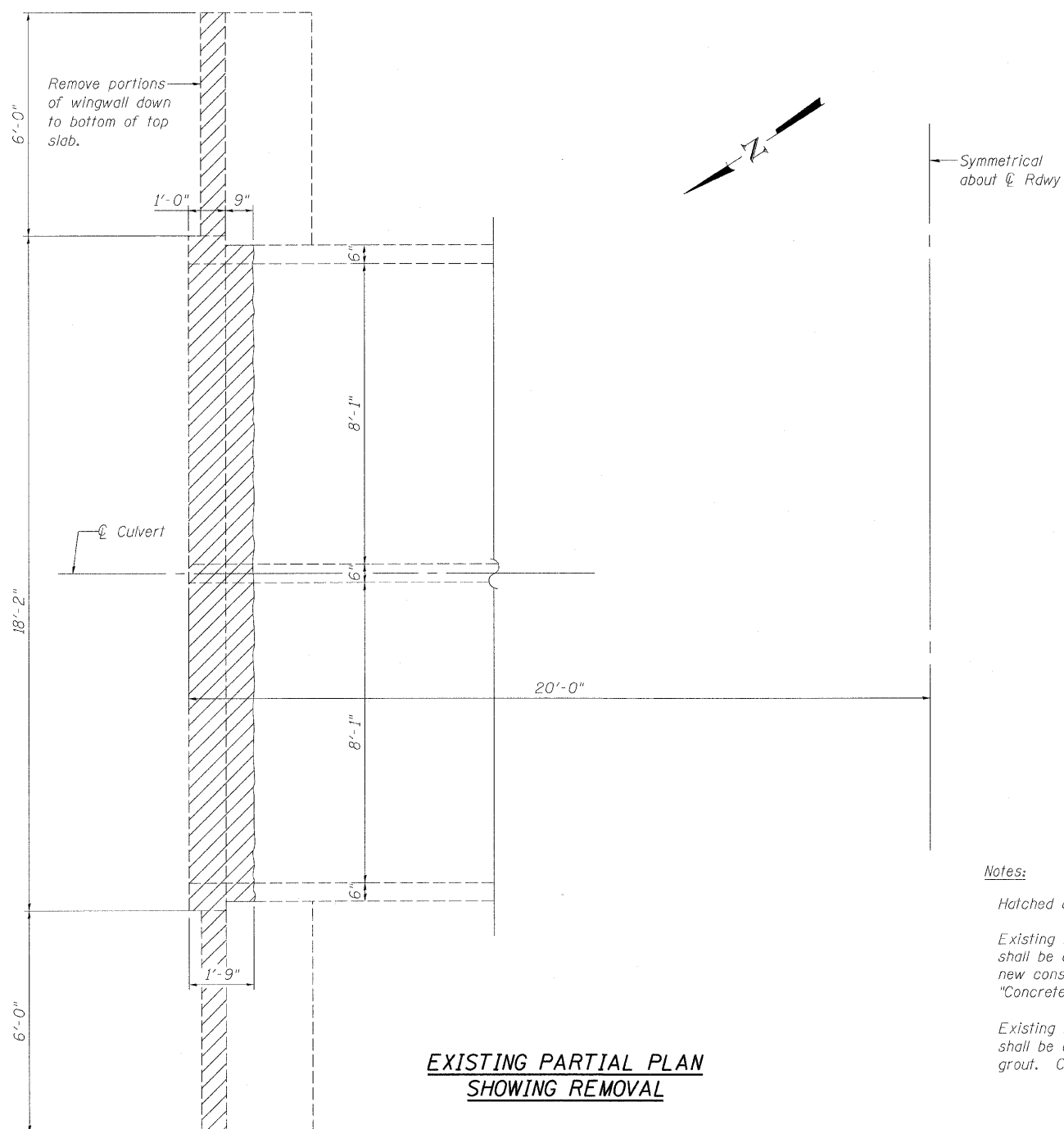
ROUTE NO.	SECTION	COUNTY	DATE	SHEET NO.
FAP 95	6RS-2	JASPER	5/19/04	265
FED. ROAD DIST. NO. 7	ILLINOIS	FED. AID PROJECT		

SHEET NO. 2
4 SHEETS

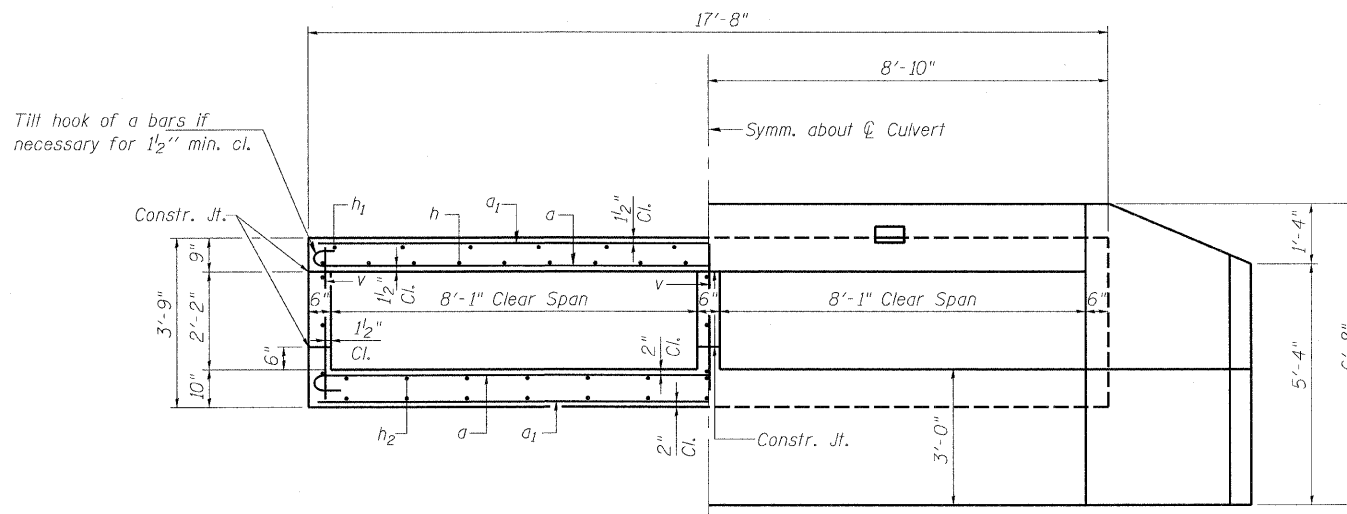
Contract No. 94437



EXISTING PARTIAL LONG SECTION

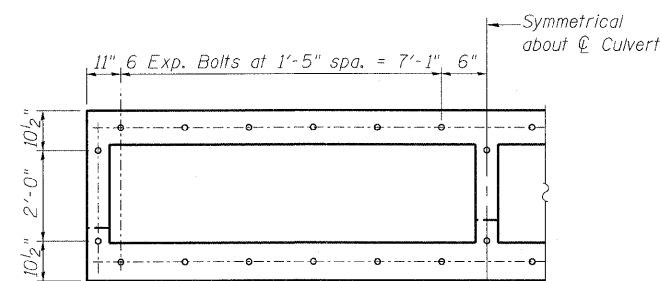


EXISTING PARTIAL PLAN
SHOWING REMOVAL



HALF SECTION THRU BARREL

HALF END ELEVATION



EXPANSION BOLT
PLACEMENT DETAIL

Note: Expansion bolts shall be 3/4" hooked bolts. Hooked bolts shall extend a minimum of 9" into new concrete.

Notes:

Hatched area indicates "Concrete Removal".

Existing reinforcement extending into new construction shall be cleaned, straightened and incorporated into the new construction. Cost shall be included with the cost of "Concrete Removal".

Existing reinforcement not extending into new construction shall be cut-off flush and covered with a 2" layer of cement grout. Cost shall be included with the cost of "Concrete Removal".

REVISIONS	
NAME	DATE

ILLINOIS DEPARTMENT OF TRANSPORTATION
CULVERT DETAILS

IL RTE 33 OVER DRAINAGE DITCH
FAP 95
SECTION 6RS-2
STA. 917+44.52
JASPER COUNTY
S.N. 040-8300

SCALE: VERT.
HORIZ.
DATE: 5/19/04

DRAWN BY: LANDREY
DESIGNED BY: SANFORD
CHECKED BY: WATKINS

GREENE & BRADFORD, INC.
OF SPRINGFIELD
CONSULTING ENGINEERS
PROFESSIONAL ENGINEERS
REGISTERED IN ILLINOIS
SINCE 1911
1001 N. WASHINGTON ST., SPRINGFIELD, ILL. 62761
TEL: 217-223-1111 FAX: 217-223-1112

COMPUTER FILE NO.
SN040-8300
PROJECT 01256
2/26/10-FAV

1/2" = 1'-0"