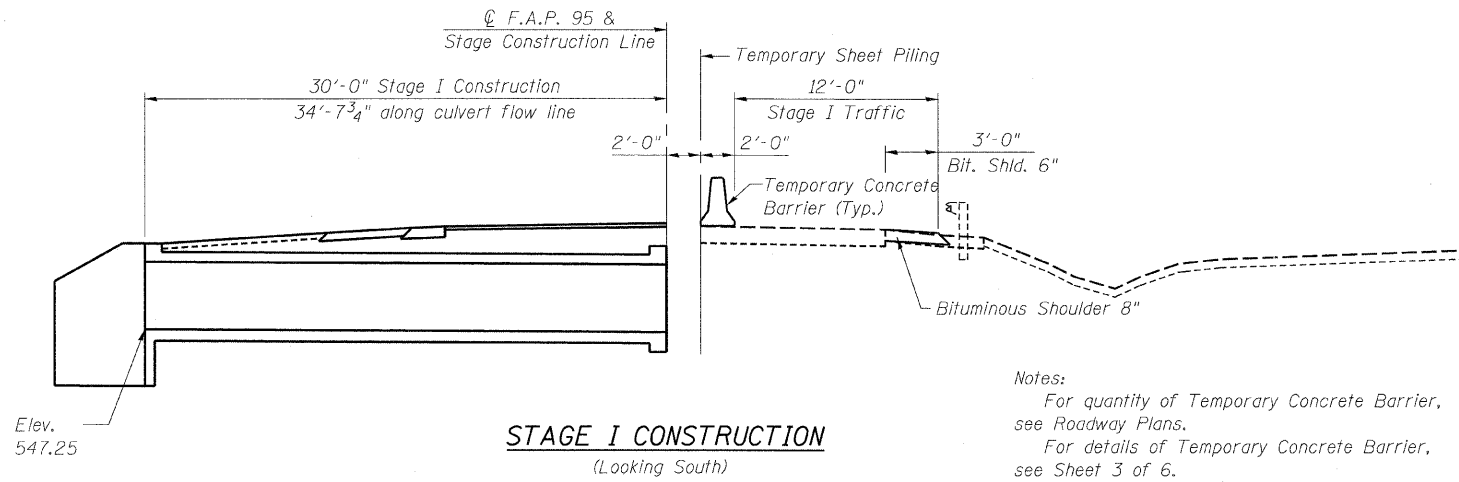


STATE OF ILLINOIS
DEPARTMENT OF TRANSPORTATION

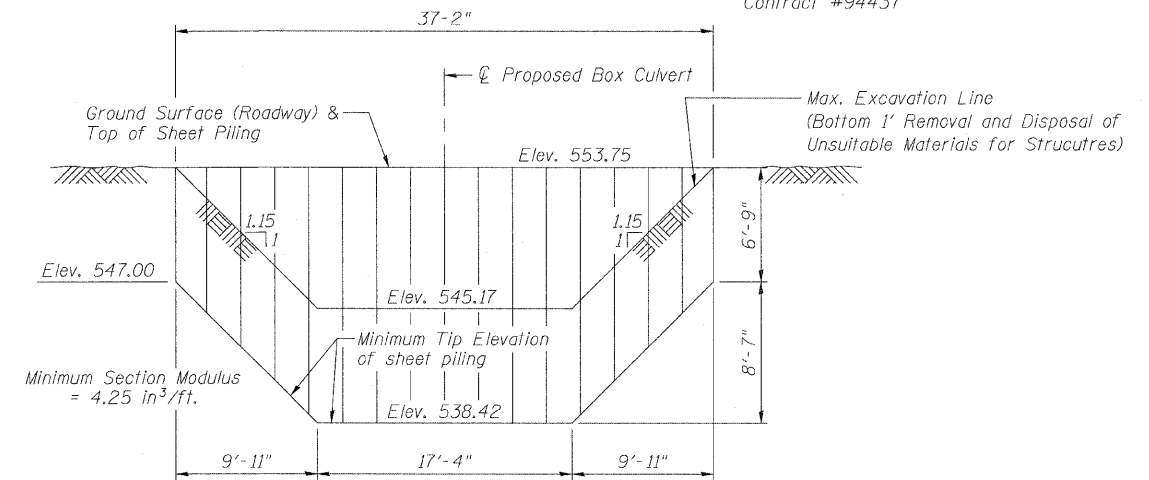
ROUTE NO.	SECTION	COUNTY	TOTAL SHEETS	SHEET NO.
FAP 95	*	JASPER	546	269
FED. ROAD DIST. NO.	ILLINOIS	FED. AID PROJECT-		

*(5,6)Y, RS-2, 6BR-7
Contract #94437

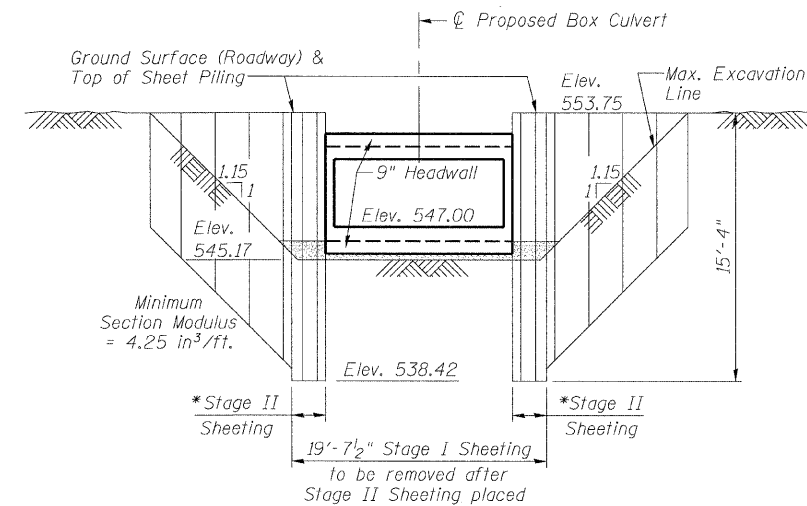
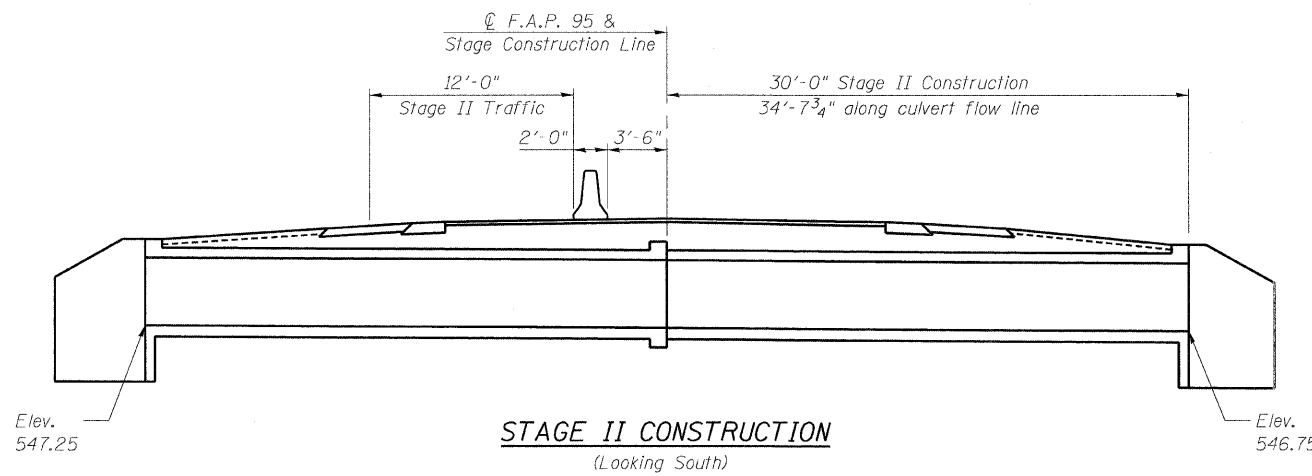
SHEET NO. 2
6 SHEETS



Notes:
For quantity of Temporary Concrete Barrier, see Roadway Plans.
For details of Temporary Concrete Barrier, see Sheet 3 of 6.



STAGE I SHEETING
(Slopes and dimensions shown along alignment of Stage I Sheeting)



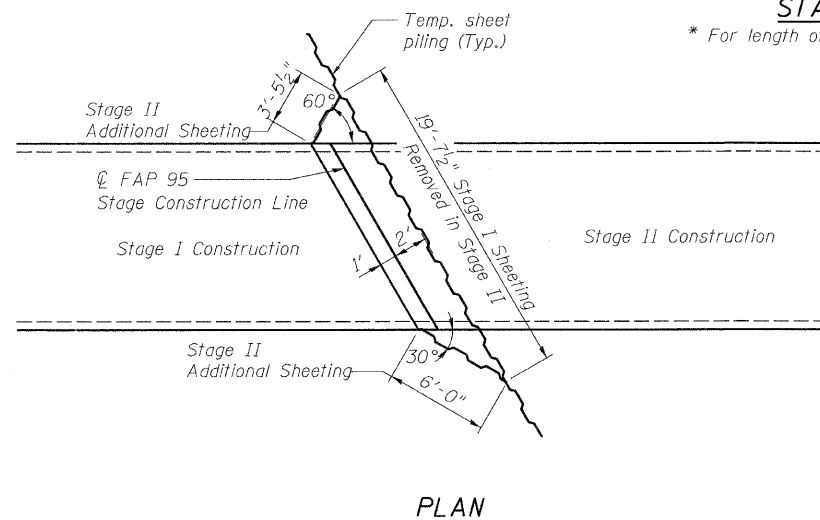
STAGE II SHEETING
* For length of Stage II Sheeting, see Plan View.

GENERAL NOTES

- Reinforcement bars shall conform to the requirements of ASTM A 706 Gr 60.
- All exposed concrete edges shall be chamfered 3/4" unless otherwise noted.
- All construction joints shall be bonded.
- A precast alternative is not allowed.
- A distance of half the length of the wingwall but not less than six feet of the barrel shall be poured monolithically with the wingwalls.
- Removal and disposal of unsuitable materials for Structures and Rockfill-Replacement are estimated volumes only and final limits will be determined in the field during excavation at all culvert/culvert extensions, by the engineer.
- Backfill Material for this Culvert shall be CA 6. The Cost of CA 6 for Backfill is Included in the Pay Item, "Structure Excavation."

TEMPORARY SHEET PILING NOTES

If the Contractor chooses to alter the temporary cantilevered sheet piling design requirements shown on the plans, a design submittal including plan details and calculations will be required for review and acceptance by the Engineer.



PLAN

REVISIONS	
NAME	DATE

ILLINOIS DEPARTMENT OF TRANSPORTATION
STAGING DETAILS
F.A.P. 95 (IL RTE 33) OVER DRAINAGE DITCH
SECTION (5,6)Y, RS-2, 6BR-7
STA. 1178+20.00
JASPER COUNTY
S.N. 040-2011

SCALE: VERT. _____
HORIZ. _____
DATE: 11/22/04

DRAWN BY: LANDREY
DESIGNED BY: SANFORD
CHECKED BY: TRELLO

COMPUTER FILE NO. 01256STG
PROJECT 01256
3/11/10-MDS

GREENE & BRADFORD, INC.
OF SPRINGFIELD
REGISTERED PROFESSIONAL ENGINEERS
ILLINOIS LICENSE NO. 021-00000000
PROFESSIONAL DESIGN FIRM AND LICENSED
CONTRACTORS SINCE 1954

FILE NAME = I:\0256\DRAINING\SND40-201\01256STG.dgn
PLOT SCALE = 1"=10'-0"
PLOT DATE = 3/17/2010
PLOT TIME = 5:28:48 PM
OPERATOR = Franky