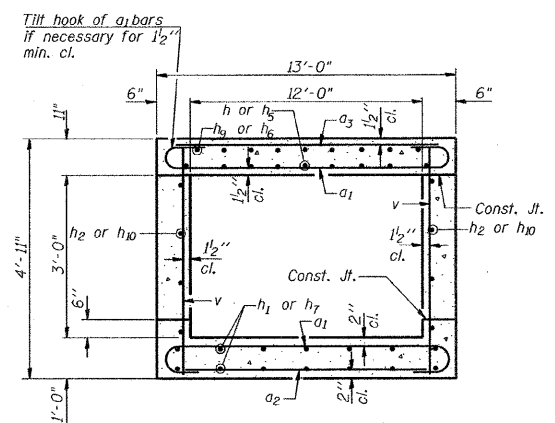
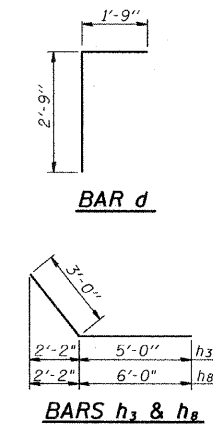
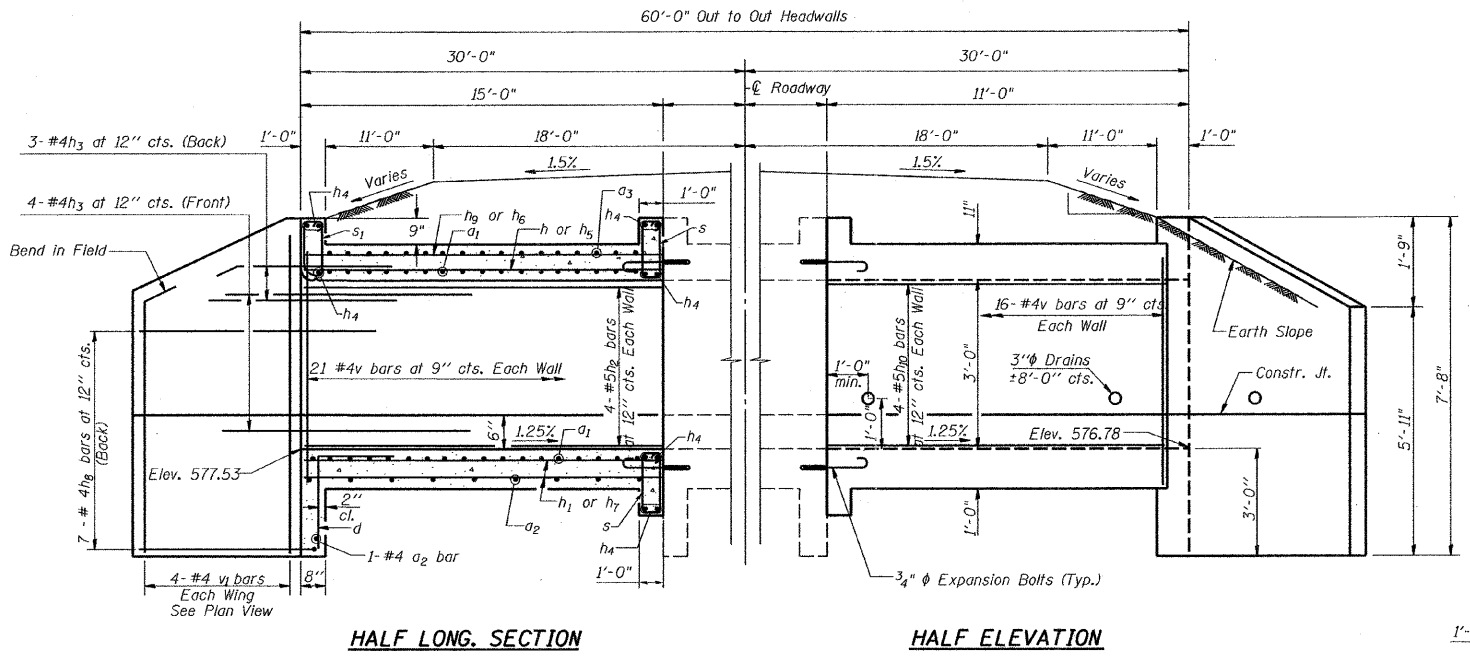
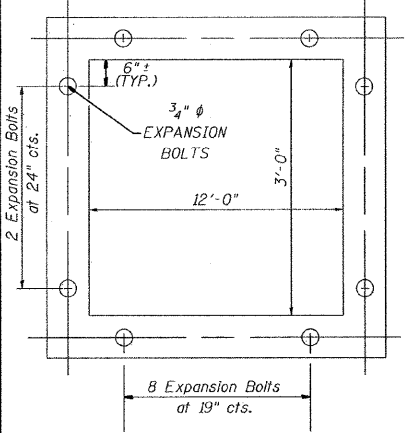


DESIGN	INT.	DATE	REASON

F.A.P. RTE.	SECTION	COUNTY	TOTAL SHEETS	SHEET NO.
95	.	JASPER	546	274
STA.		TO STA.		
FED. ROAD DIST. NO.		ILLINOIS	FED. AID PROJECT	
*15.61Y.RS-2.6BR-7 CONTRACT NO. 94437				

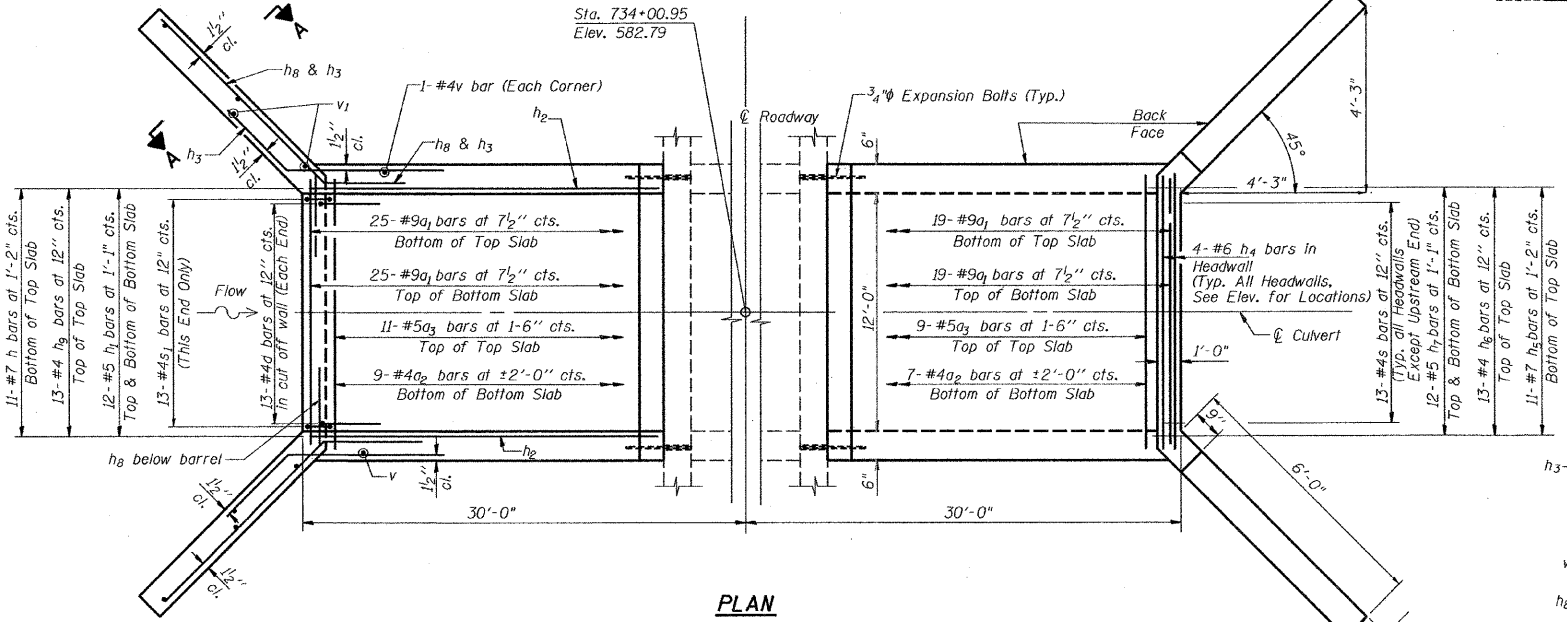


PLOTS & CHECKS	INT.	DATE	NO.	REASON



CROSS SECTION THRU BARREL

Note:
Expansion Bolts shall be 3/4" hooked bolts.
Hooked bolts shall extend a minimum of 9"
into new concrete.



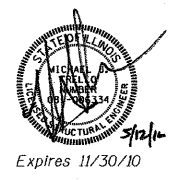
PLAN

NOTES

A distance of half the length of the wingwall but not less than six feet of the barrel shall be poured monolithically with the wingwalls.
Reinforcement bars shall conform to the requirements of ASTM A 706 Gr 60.
Bars indicated thus 12 x 4-#5 etc. indicates 12 lines of bars with 4 lengths per line.
All construction joints shall be bonded.
Plan dimensions and details relative to existing plans are subject to nominal construction variations. The Contractor shall field verify existing dimensions and details affecting new construction and make necessary approved adjustments prior to construction or ordering of materials. Such variations shall not be cause for additional compensation for a change in scope of the work, however, the Contractor will be paid for the quantity actually furnished at the unit price bid for the work.

BILL OF MATERIAL STA. 734+00.95

Bar	No.	Size	Length	Shape
a ₁	88	#9	15'-2"	U
a ₂	18	#4	12'-9"	—
a ₃	20	#5	12'-9"	—
d	26	#4	4'-6"	—
h	11	#7	14'-9"	—
h ₁	24	#5	14'-9"	—
h ₂	8	#5	14'-9"	—
h ₃	28	#4	8'-0"	—
h ₄	24	#6	12'-9"	—
h ₅	11	#7	10'-9"	—
h ₆	13	#4	10'-9"	—
h ₇	24	#5	10'-9"	—
h ₈	28	#4	9'-0"	—
h ₉	13	#4	14'-9"	—
h ₁₀	8	#5	10'-9"	—
s	65	#4	5'-1"	U
s ₁	13	#4	4'-11"	U
v	78	#4	4'-8"	—
v ₁	16	#4	7'-5"	—
Concrete Box Culverts		Cu. Yd.	34.5	
Reinforcement Bars		Pound	8,050	
Expansion Bolts 3/4" Inch		Each	40	



SECTION THRU HEADWALL (Up Stream End Only)

DESIGN STRESSES

f_y = 60,000 psi
f'c = 3,500 psi

LOADING HS 20-44

REVISIONS	NAME	DATE

ILLINOIS DEPARTMENT OF TRANSPORTATION
BOX CULVERT EXTENSION
AT STA. 734+00.95
FAP ROUTE 95 (IL RTE. 33)
SECTION 15.61Y.RS-2.6BR-7
JASPER COUNTY

SCALE: VERT. _____
HORIZ. _____
DATE: 09/18/02

DRAWN BY: JAMESON
DESIGNED BY: COLBROOK
CHECKED BY: SANFORD

COMPUTER FILE NO. _____
DETAILS-2 - 50
PROJECT 01256
2/26/10-FAV

GREENE & BRADFORD, INC.
OF SPRINGFIELD