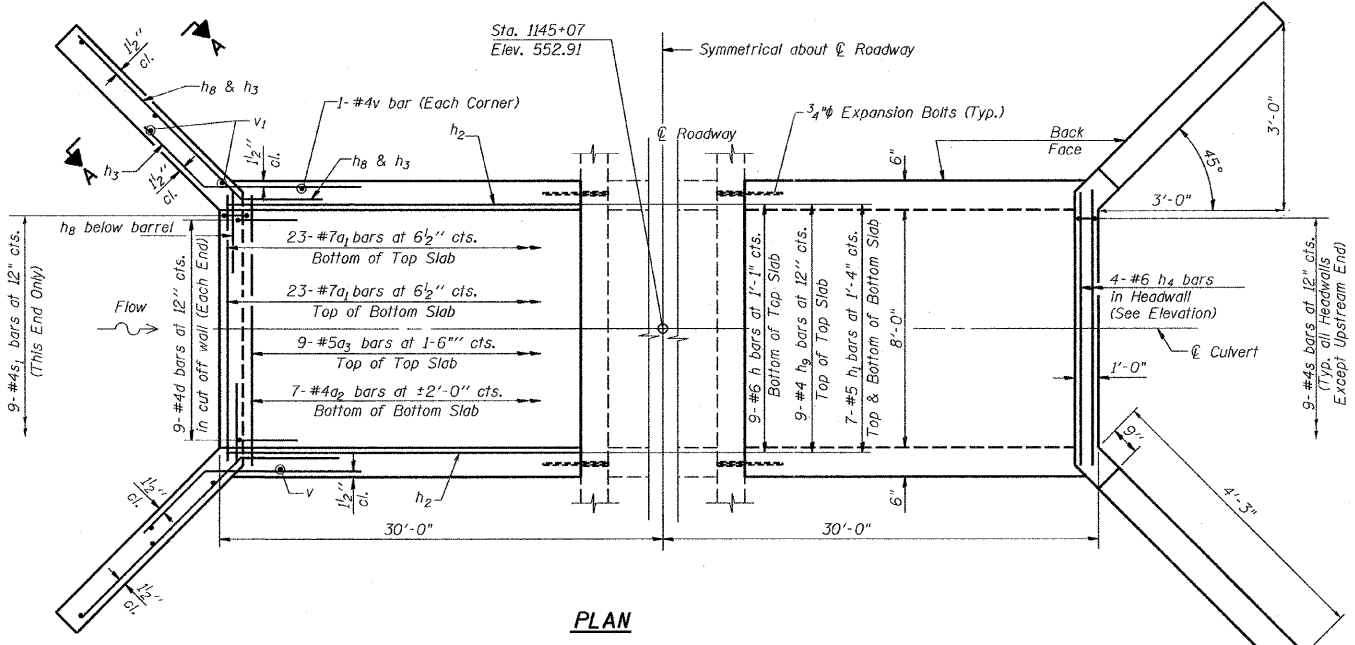
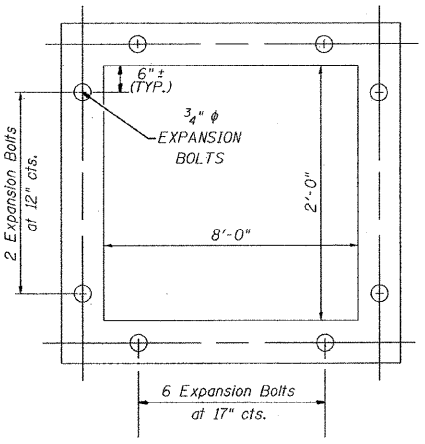
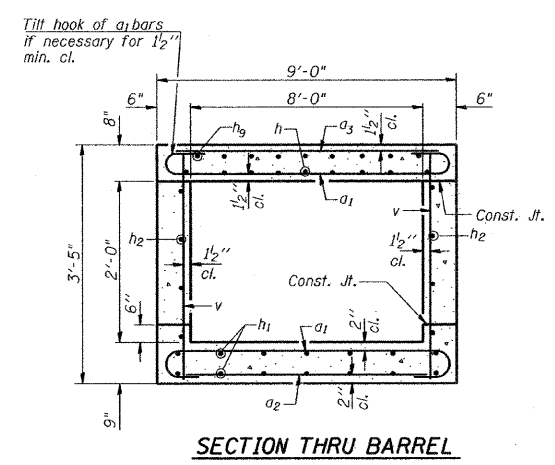
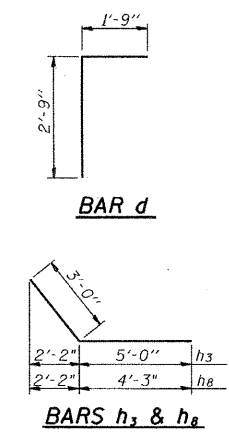
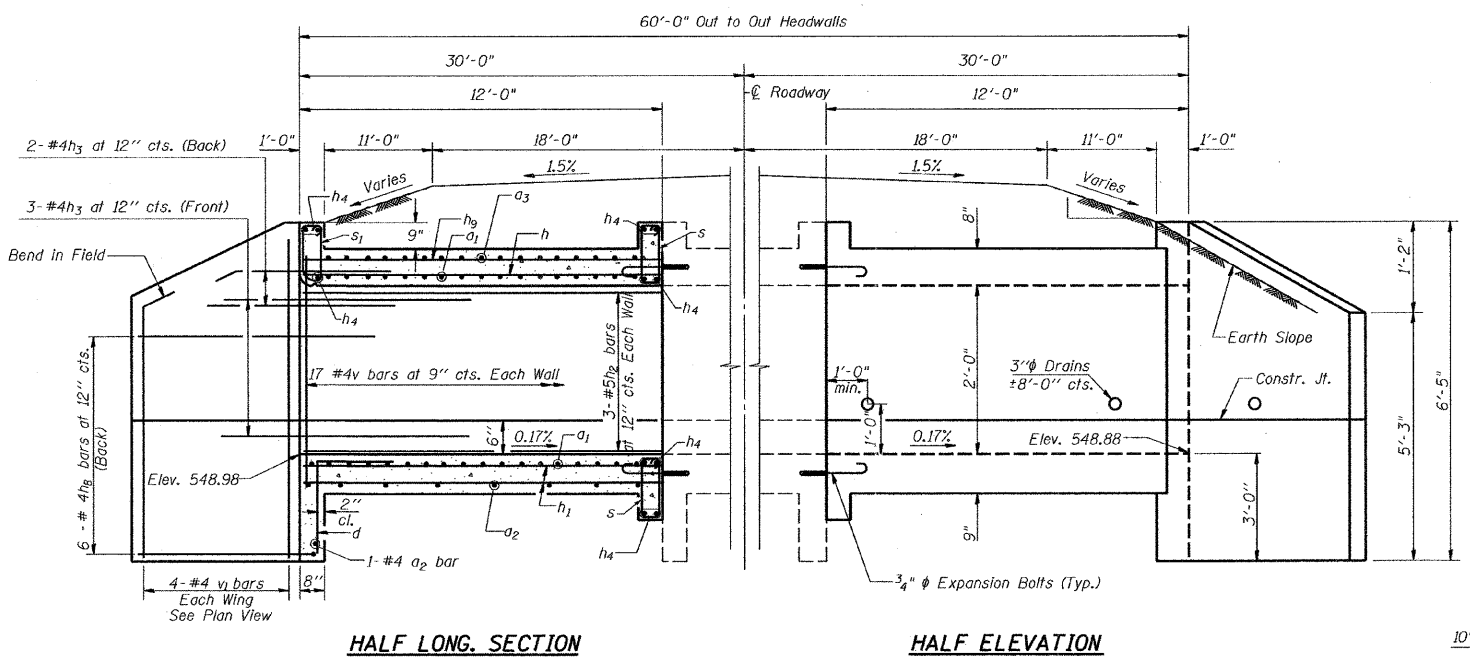


F.A.P. RTE.	SECTION	COUNTY	TOTAL SHEETS	SHEET NO.
95		JASPER	546	277
STA. TO STA.		ILLINOIS FED. AID PROJECT		
FED. ROAD DIST. NO.		CONTRACT NO. 94437		

DESIGN	INT.	DATE	REASON

PLOTS & CHECKS	INT.	DATE	NO.	REASON

CHECKS	INT.	DATE	REASON

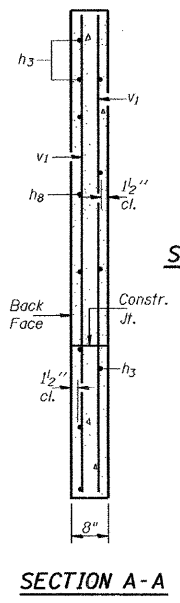
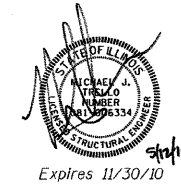


BAR a1

BILL OF MATERIAL STA. 1145+07

Bar	No.	Size	Length	Shape
a1	92	#7	10'-4"	U
a2	16	#4	8'-9"	U
a3	18	#5	8'-9"	U
d	18	#4	4'-6"	L
h	18	#6	11'-9"	U
h1	28	#5	11'-9"	U
h2	12	#5	11'-9"	U
h3	20	#4	8'-0"	U
h4	24	#6	8'-9"	U
h8	24	#4	7'-3"	U
h9	18	#4	11'-9"	U
s	45	#4	4'-7"	U
s1	9	#4	4'-5"	U
v	72	#4	3'-1"	U
v1	16	#4	6'-2"	U

Concrete Box Culverts	Cu. Yd.	18.2
Reinforcement Bars	Pound	4,120
Expansion Bolts 3/4 Inch	Each	32



SECTION THRU HEADWALL (Up Stream End Only)

DESIGN STRESSES
 fy = 60,000 psi
 f'c = 3,500 psi

LOADING HS 20-44

SECTION A-A

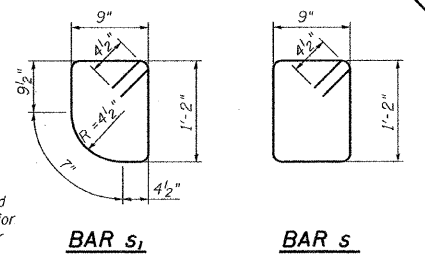
NOTES

A distance of half the length of the wingwall but not less than six feet of the barrel shall be poured monolithically with the wingwalls. Reinforcement bars shall conform to the requirements of ASTM A 706 Gr 60.

Bars indicated thus 12 x 4-#5 etc. indicates 12 lines of bars with 4 lengths per line.

All construction joints shall be bonded.

Plan dimensions and details relative to existing plans are subject to nominal construction variations. The Contractor shall field verify existing dimensions and details affecting new construction and make necessary approved adjustments prior to construction or ordering of materials. Such variations shall not be cause for additional compensation for a change in scope of the work, however, the Contractor will be paid for the quantity actually furnished at the unit price bid for the work.



REVISIONS	
NAME	DATE

ILLINOIS DEPARTMENT OF TRANSPORTATION
BOX CULVERT EXTENSION
AT STA. 1145+07
 FAP ROUTE 95 (IL RTE. 33)
 SECTION (5,6)Y,RS-2,6BR-7
 JASPER COUNTY

SCALE: VERT. 1"=10'
 HORIZ. 1"=20'
 DATE: 09/18/02

DRAWN BY: JAMESON
 DESIGNED BY: COLBROOK
 CHECKED BY: SANFORD

COMPUTER FILE NO. DETAILS-1 - 50
 PROJECT 01256
 2/26/10-FAV

GREENE & BRADFORD, INC.
 OF BRADFORD, ILL.
 CONSULTING ENGINEERS
 1001 N. STATE ST., BRADFORD, ILL. 62501
 (618) 451-1111 FAX (618) 451-1112