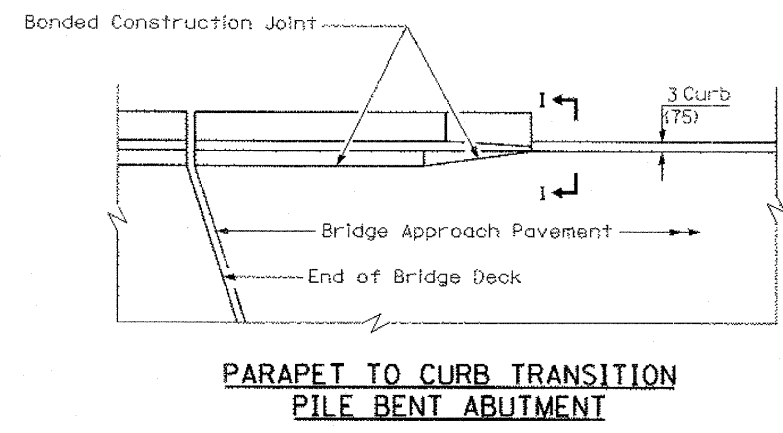


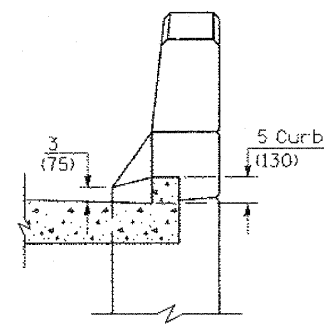
DESIGN		
INT.	DATE	REASON

F.A.P. RTE.	SECTION	COUNTY	TOTAL SHEETS	SHEET NO.
95		JASPER	546	2920
STA.	TO STA.			
FED. ROAD DIST. NO.		ILLINOIS	FED. AID PROJECT	
		*(5,6)Y,RS-2,6BR-7		
CONTRACT NO. 94437				

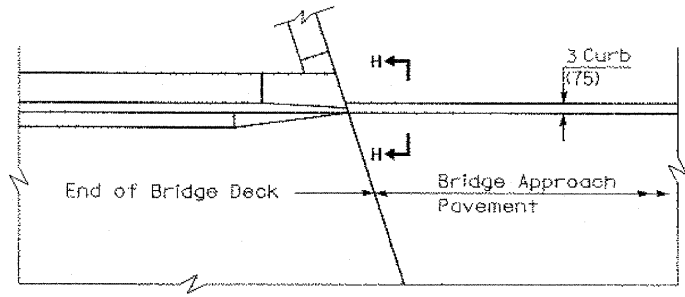
PLOTS & CHECKS		
INT.	DATE	REASON



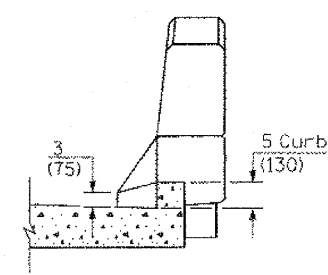
**PARAPET TO CURB TRANSITION  
PILE BENT ABUTMENT**



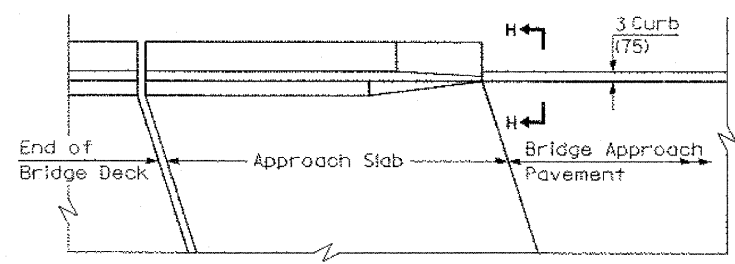
**SECTION I - I**



**PARAPET TO CURB TRANSITION  
INTEGRAL ABUTMENT**



**SECTION H - H**



**PARAPET TO CURB TRANSITION  
VAULTED ABUTMENT**

**BRIDGE APPROACH PAVEMENT**  
(Sheet 4 of 4)

Illinois Department of Transportation

APPROVED January 1, 2008  
*Ralph E. Anderson*  
ENGINEER OF BRIDGES AND STRUCTURES

APPROVED January 1, 2008  
*Ken S. Han*  
ENGINEER OF DESIGN AND ENVIRONMENT

ISSUED 1-18-07

CHECKS		
INT.	DATE	REASON

REVISIONS	
NAME	DATE

ILLINOIS DEPARTMENT OF TRANSPORTATION  
**APPROACH PAVEMENT  
DETAILS**

FAP ROUTE 95 (IL RTE. 33)  
SECTION (5,6)Y,RS-2,6BR-7  
JASPER COUNTY

SCALE: VERT. \_\_\_\_\_  
HORIZ. \_\_\_\_\_

DATE: 09/18/02

DRAWN BY: JAMESON  
DESIGNED BY: COLBROOK  
CHECKED BY: SANFORD

COMPUTER FILE NO. \_\_\_\_\_  
DETAILS  
PROJECT 01256

GREENE & BRADFORD, INC.  
OF SPRINGFIELD  
REGISTERED PROFESSIONAL ENGINEERS  
ILLINOIS LICENSE NO. 089-00000000  
PROFESSIONAL & STRUCTURAL ENGINEERING CORPORATION  
2007 700 N. BROADWAY, SUITE 100, SPRINGFIELD, ILLINOIS 62761-1000  
TEL: 217-223-8000 FAX: 217-223-8001 WWW.GREENEANDBRADFORD.COM