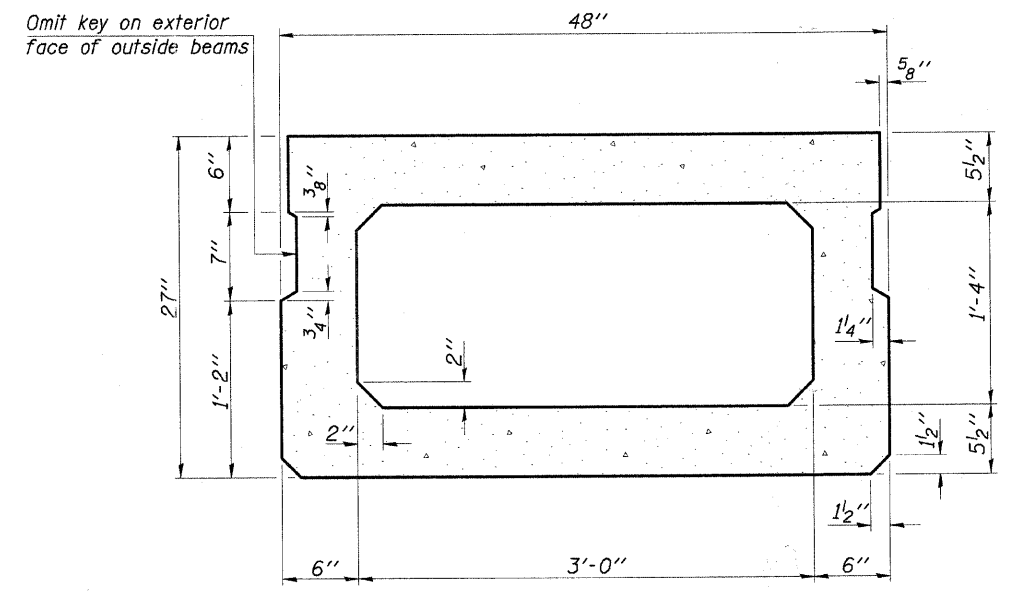
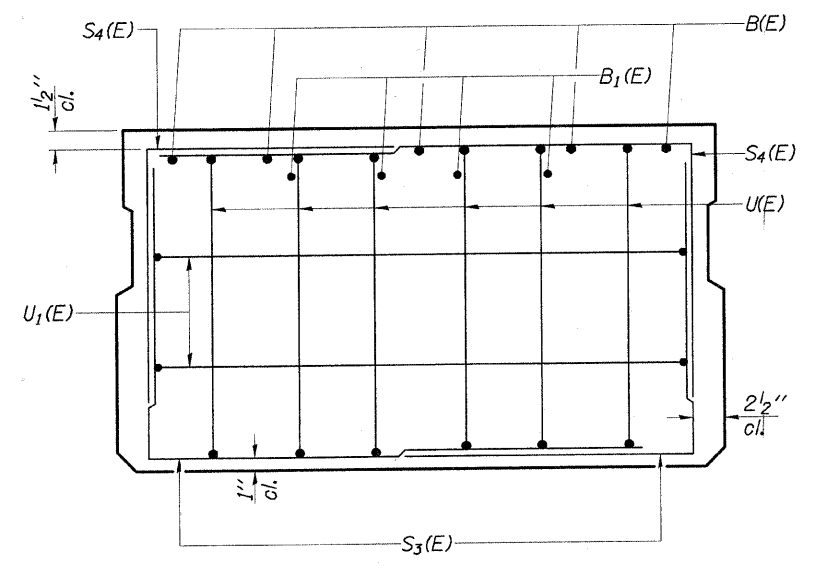


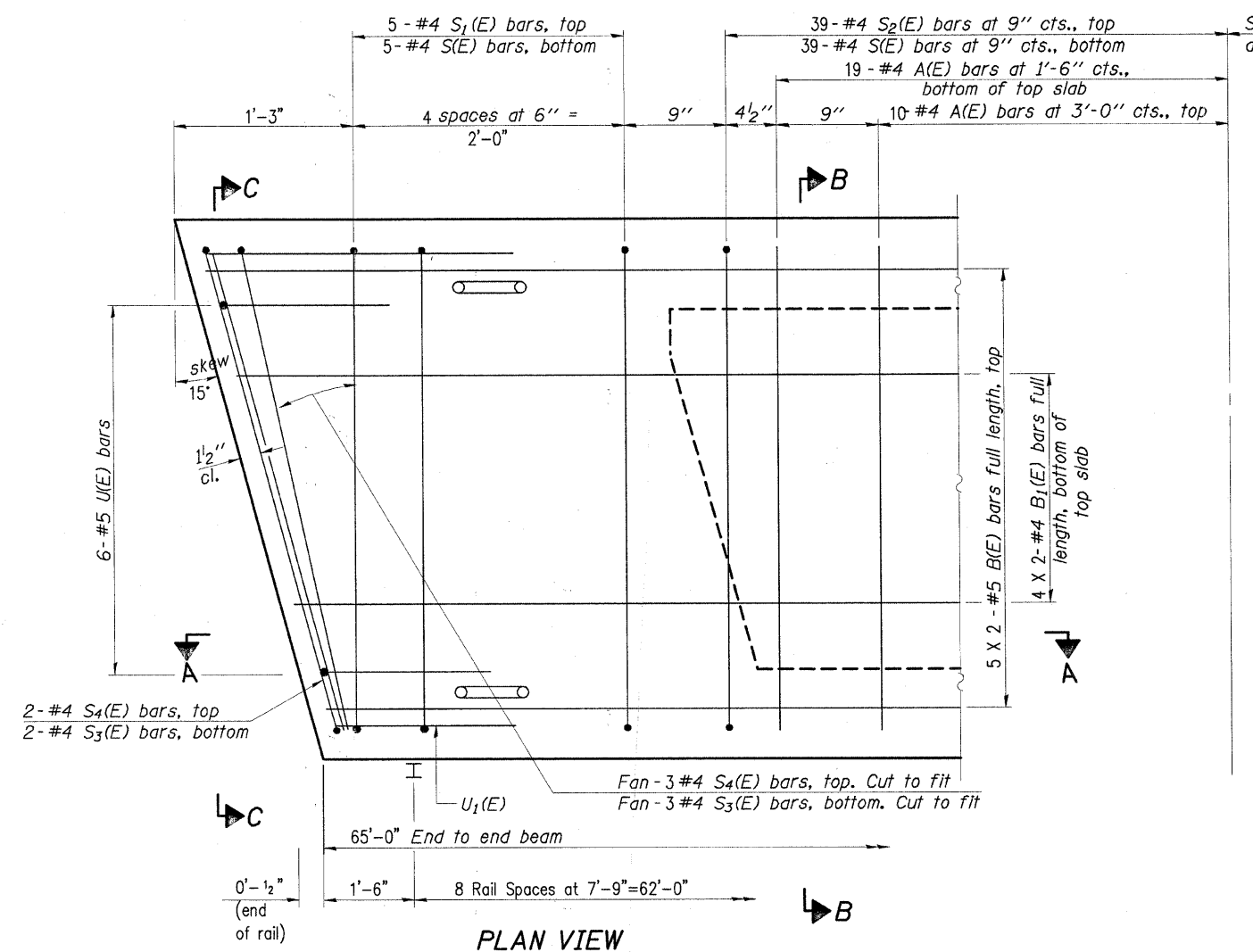
**SECTION A-A**



**SECTION B-B**  
(Showing dimensions)



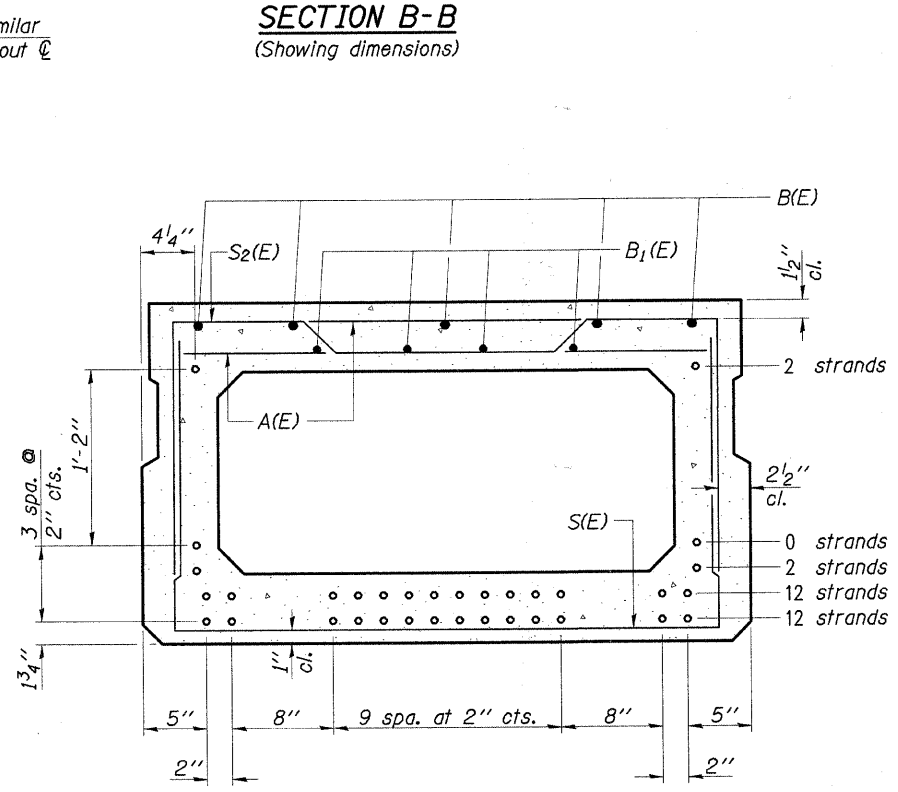
**VIEW C-C**



**PLAN VIEW**

Note: Spacing of S(E) and S2(E) bars may be adjusted up to 4" in the immediate area of the transverse tie diaphragms to miss the block outs for the transverse ties.

Bars indicated thus 5 X 2-#5 etc. indicates 5 lines of bars with 2 lengths per line.



**SECTION B-B**  
(Showing reinforcement and permissible strand locations)

- Notes:
- 28 Total Strands
  - Place the number of strands specified in each row symmetrically about the centerline of beam in the permissible strand locations shown.

**MINIMUM BAR LAP**  
#4 bar = 2'-0"  
#5 bar = 2'-6"

**BAR LIST**  
**ONE BEAM ONLY**  
(For information only)

Bar	No.	Size	Length	Shape
A(E)	58	#4	3'-7"	—
B(E)	10	#5	33'-8"	—
B1(E)	8	#4	33'-8"	—
S(E)	88	#4	7'-5"	┌
S1(E)	10	#4	6'-11"	┌
S2(E)	78	#4	7'-2"	┌
S3(E)	10	#4	5'-9"	┌
S4(E)	10	#4	5'-6"	┌
U(E)	12	#5	4'-5"	┌
U1(E)	4	#4	7'-0"	┌

Note: See sheet 6 of 14 for additional details and Bill of Material.

**CHARLESTON ENGINEERING, INC.**  
CONSULTING ENGINEERS  
105 NORTH KITCHELL  
P.O. BOX 387  
OLNEY, ILLINOIS 62450  
(618) 392-0738  
ILLINOIS DEPARTMENT OF PROFESSIONAL REGULATION REGISTRATION #184,003613

**SUPERSTRUCTURE**  
**STRUCTURE NO. 096-3458**

T.R. 165  
**OVER POPLAR CREEK**  
**SECTION 05-18109-00-BR**

WAYNE COUNTY  
STATION 4+05.00