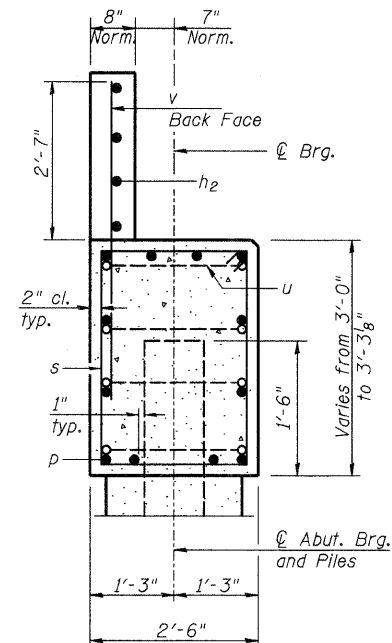
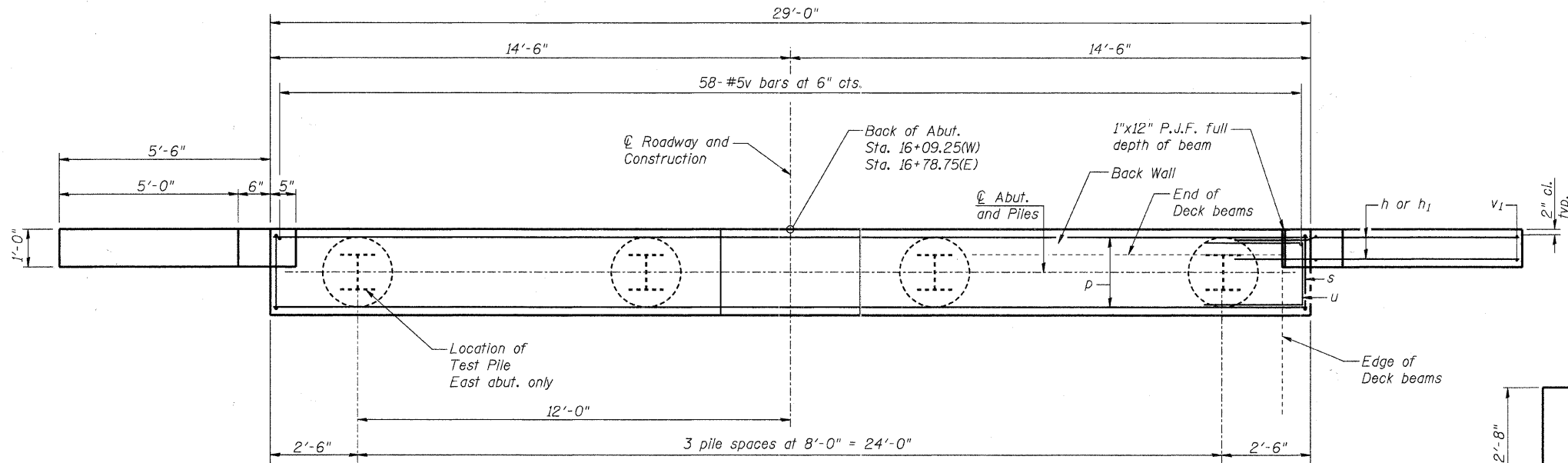


ELEVATION



SEC. THRU ABUT.
(Normal to \mathcal{C})



PLAN

PILE DATA WEST ABUTMENT

Type: Steel HP12x53
 Nominal Required Bearing: 419 kips
 Allowable Resistance Available: 139 kips
 Estimated Length: 51'/pile
 No. Production Piles: 4
 No. Test Piles: 0

PILE DATA EAST ABUTMENT

Type: Steel HP12x53
 Nominal Required Bearing: 419 kips
 Allowable Resistance Available: 139 kips
 Estimated Length: 55'/pile
 No. Production Piles: 3
 No. Test Piles: 1

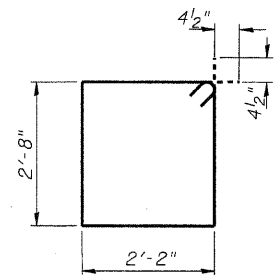
GENERAL NOTES

All exposed edges shall have standard $\frac{3}{4}$ " chamfer, unless otherwise noted.
 All clearances between rebar and form surface shall be 2", unless otherwise noted.
 Space reinforcement in cap to miss PPCDB dowel rods.
 The Steel H-piles shall be according to AASHTO M270 Grade 50.
 The Contractor shall drive one (1) Steel HP12x53 Test Pile in a production location at the East abutment as directed by the Engineer before ordering the remainder of the piles.
 The Test Pile shall be driven to 110 percent of the Nominal Required Bearing indicated in the pile data information.
 The Contractor is hereby advised that very stiff soils will be encountered prior to the location of anticipated nominal required bearing. See the soil borings for further information.

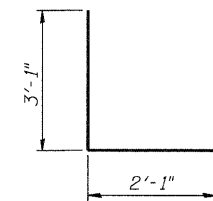
BILL OF MATERIAL FOR ONE ABUTMENT

Bar	No.	Size	Length	Shape
h	24	#6	9'-6"	—
h ₁	16	#6	5'-9"	—
h ₂	4	#5	27'-8"	—
p	12	#7	28'-8"	—
s	30	#4	10'-5"	□
u	8	#6	8'-3"	—
v	58	#5	5'-0"	—
v ₁	24	#5	5'-6"	CUT IN FIELD
Concrete Structures			Cu. Yd.	12.5
Concrete Encasement			Cu. Yd.	1.4
Reinforcement Bars			Pound	2050
Furnishing Steel			W. Abut.	204
Piles, HP12x53			E. Abut.	165
Driving Piles			Foot	W. Abut. 204
			E. Abut.	165
Test Pile, Steel HP12x53			Each	W. Abut. 0
			E. Abut.	1
Pile Shoes			Each	8

For details of piles and Concrete Encasement, see Sheet 11 of 11.



BAR s



BAR u

RHUTASEL and ASSOCIATES, INC.
 CONSULTING ENGINEERS • LAND SURVEYORS
 CENTRALIA, ILLINOIS FREEBURG, ILLINOIS
 ILLINOIS DESIGN FIRM LICENSE NO. 184-000287

DESIGNED - BLT	REVISED -
CHECKED - GLH	REVISED -
DRAWN - JN	REVISED -
CHECKED - 12/14/2011	REVISED -

STATE OF ILLINOIS
DEPARTMENT OF TRANSPORTATION

ABUTMENT DETAILS
STRUCTURE NO. 096-3456

F.A.S. ROUTE	SECTION	COUNTY	TOTAL SHEETS	SHEET NO.
2821	07-00117-00-BR	WAYNE	11	10
RAAI JOB NO. 52111 ILLINOIS FED. AID PROJECT			CONTRACT NO. 95671	