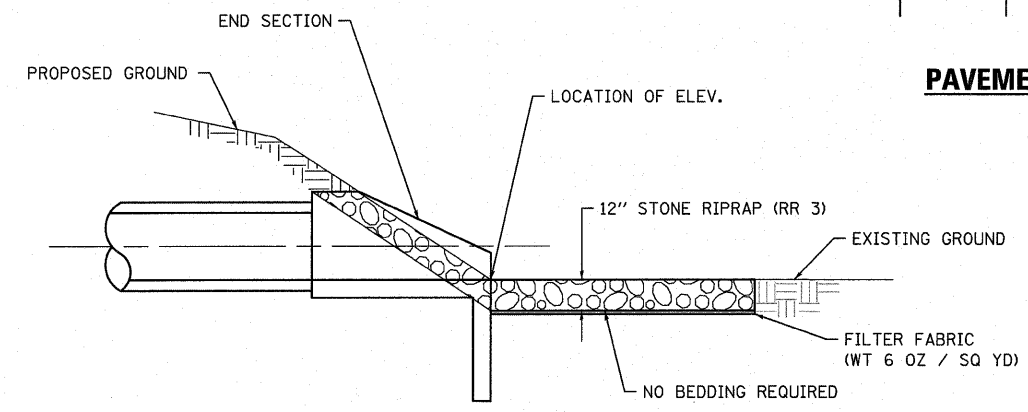
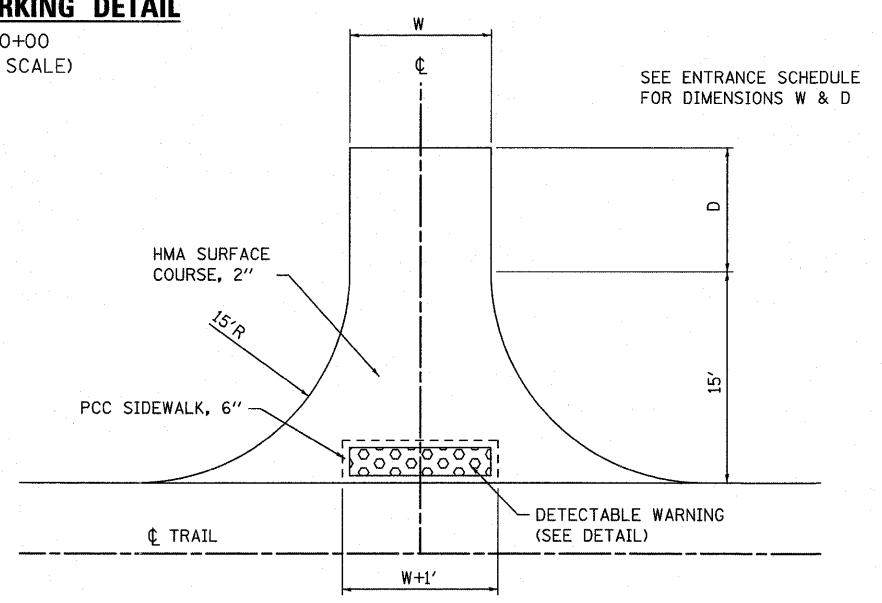


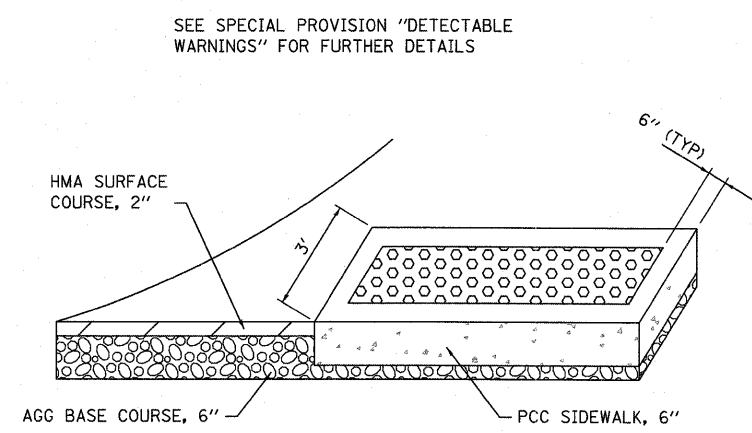
SIGN SPECIAL DETAIL
(NOT TO SCALE)



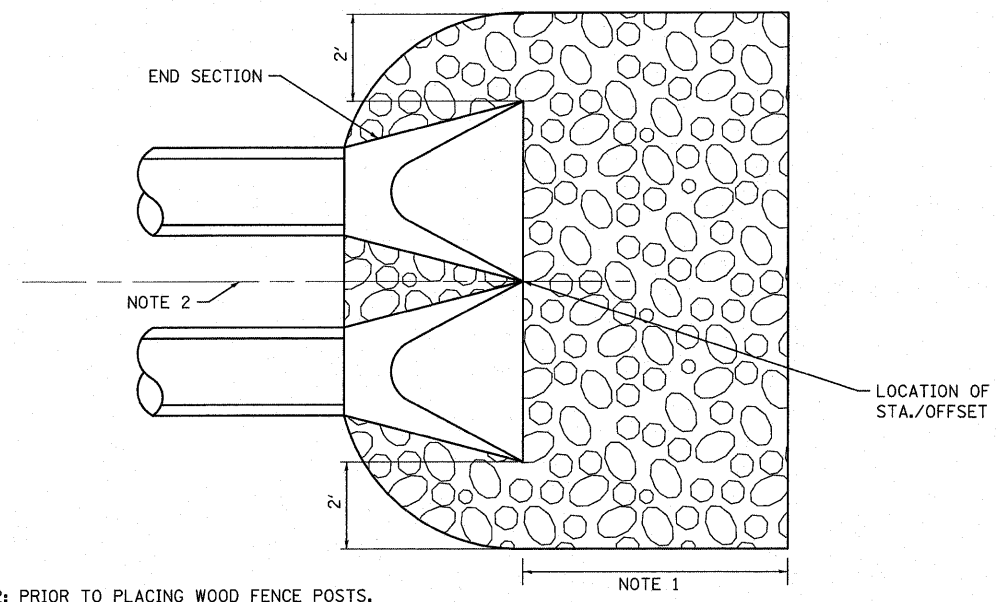
PAVEMENT MARKING DETAIL
STA. 10+00
(NOT TO SCALE)



INTERSECTION DETAIL
STA. 10+00 AND STA. 23+75 LT
(NOT TO SCALE)



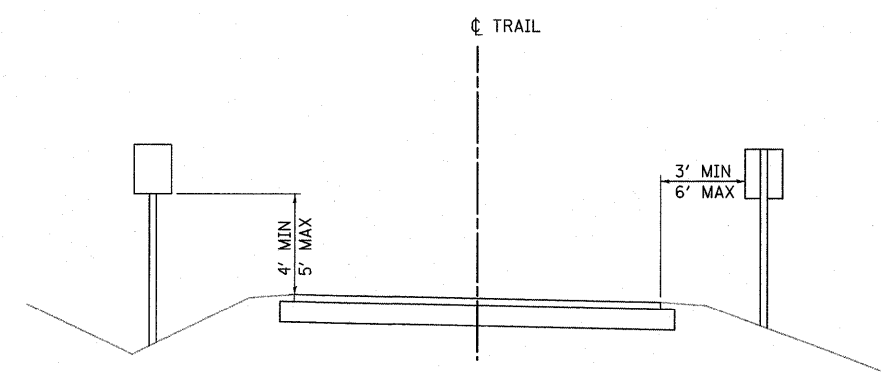
DETECTABLE WARNING DETAIL
(NOT TO SCALE)



NOTE 2: PRIOR TO PLACING WOOD FENCE POSTS, THE CONTRACTOR SHALL DETERMINE THE LOCATION OF THE POST BETWEEN THE PROPOSED DUAL PIPE CULVERTS. ADJACENT POST SPACING SHALL BE OFFSET ACCORDING TO THE DIMENSIONS SHOWN ON THE WOOD FENCE DETAILS SHEET.

NOTE 1: SEE EROSION & SEDIMENT CONTROL SHEET FOR DIMENSIONS

STONE RIPRAP DETAIL
(NOT TO SCALE)



SIGN PLACEMENT DETAIL
(NOT TO SCALE)

FILE NAME = DB10096-ahd-details.dgn	USER NAME = randj PLOT TIME = 8:37:58 AM PLOT SCALE = 20.0000' / IN. PLOT DATE = 11/10/2011	DESIGNED - DRAWN - CHECKED - DATE -	REVISED - REVISED - REVISED - REVISED -	STATE OF ILLINOIS DEPARTMENT OF TRANSPORTATION	CONSTRUCTION DETAILS			F.A. RTE.	SECTION	COUNTY	TOTAL SHEETS	SHEET NO.
					SCALE: NTS	SHEET NO. 1 OF 1 SHEETS	STA. TO STA.	10-00064-00-BT	MADISON	18	13	
											CONTRACT NO. 97482 ILLINOIS FED. AID PROJECT	