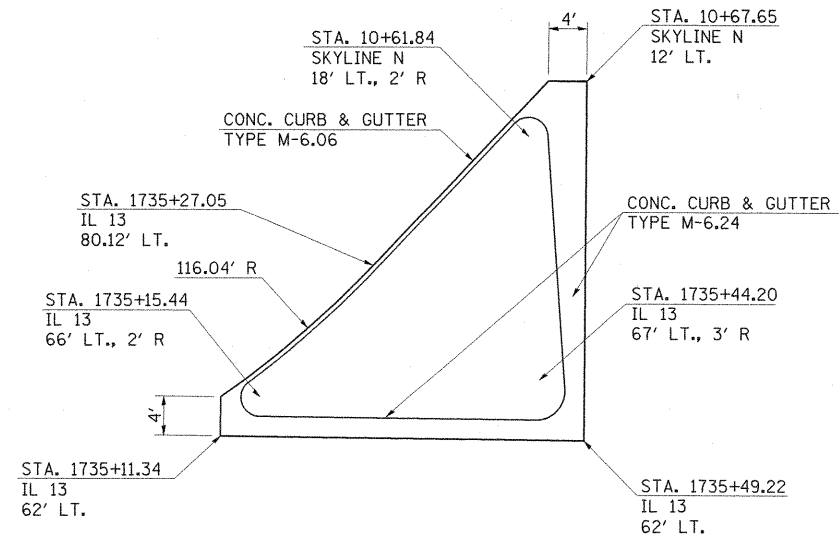


ILLINOIS 13 AND SKYLINE DRIVE ISLAND DETAILS

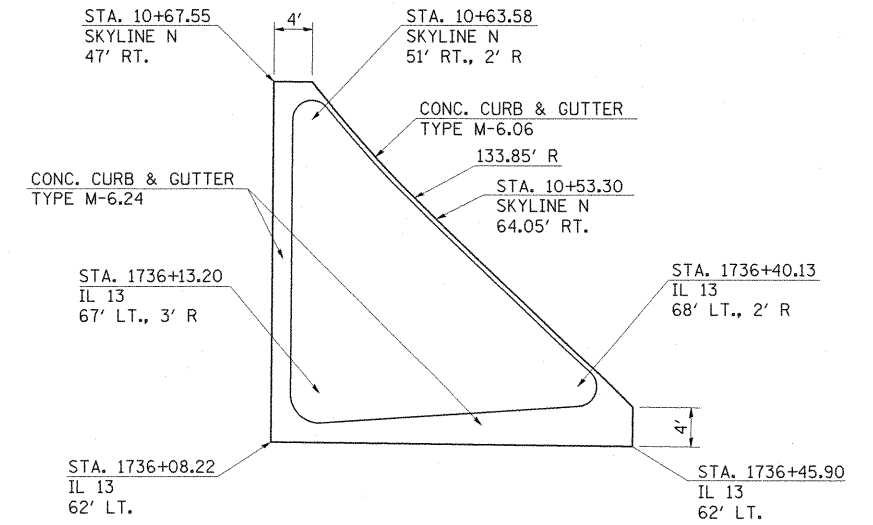
NORTHWEST ISLAND DETAIL

NOT TO SCALE



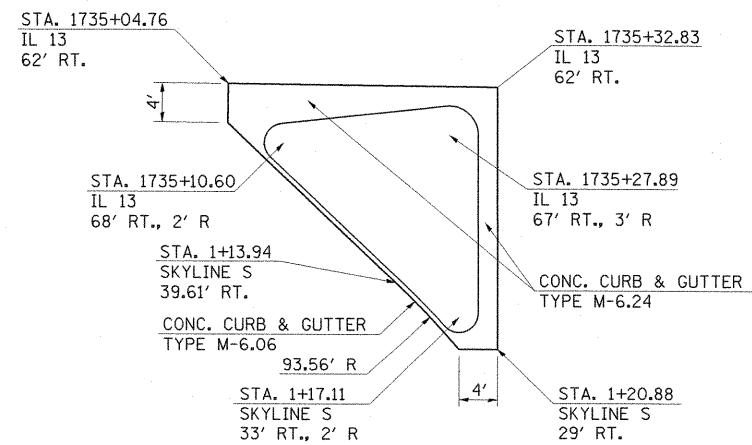
NORTHEAST ISLAND DETAIL

NOT TO SCALE



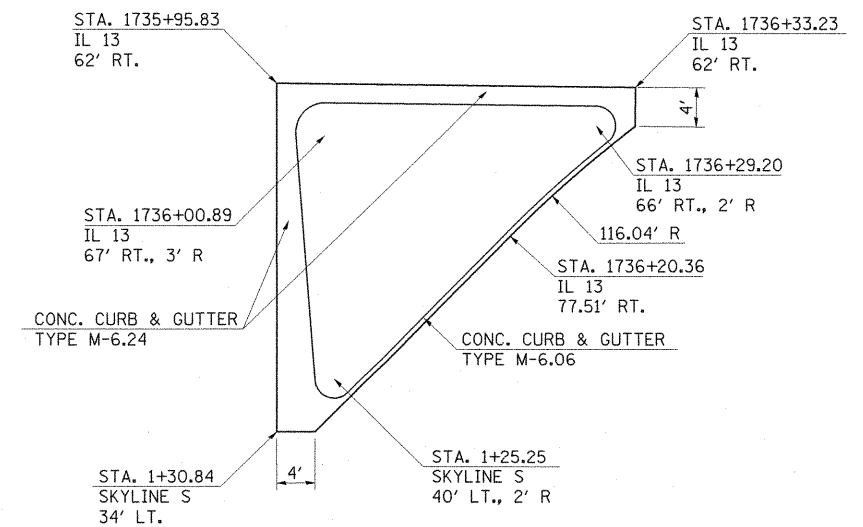
SOUTHWEST ISLAND DETAIL

NOT TO SCALE



SOUTHEAST ISLAND DETAIL

NOT TO SCALE



FILE NAME =	USER NAME = OpenH&B Springfield	DESIGNED - BMB	REVISED -	STATE OF ILLINOIS DEPARTMENT OF TRANSPORTATION	ISLAND DETAILS ILLINOIS ROUTE 13 AND SKYLINE DR.			F.A. RTE.	SECTION	COUNTY	TOTAL SHEETS	SHEET NO.
L:\IDOT\0906603\Draw\CADD\Sheets\099889	9-sh1-intersec002.dgn	DRAWN - GLD	REVISED -		331	(1X-1) VB-1, B-1, N-4, R-3	WILLIAMSON	367	128			
	PLOT SCALE = 50.0000' / IN.	CHECKED - SPH	REVISED -		CONTRACT NO. 98859							
	PLOT DATE = 12/12/2011	DATE - 12/9/11	REVISED -		ILLINOIS FED. AID PROJECT							