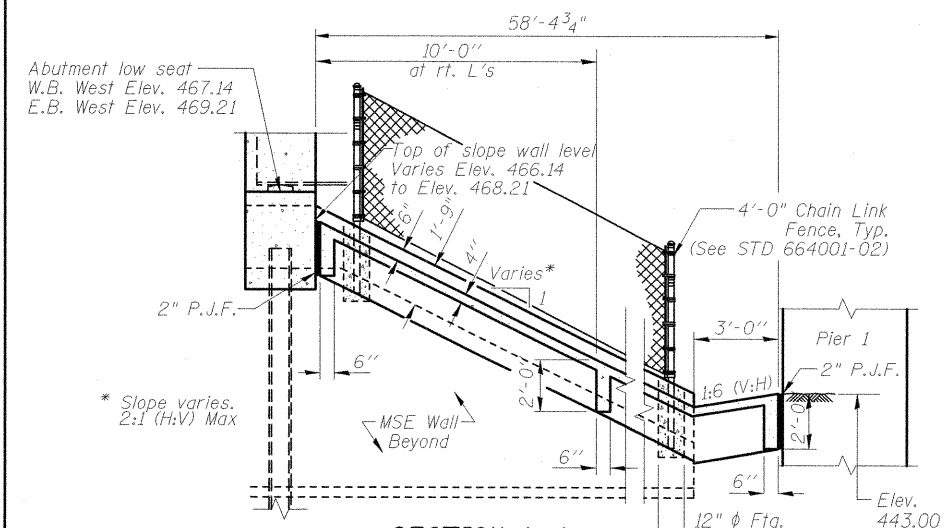
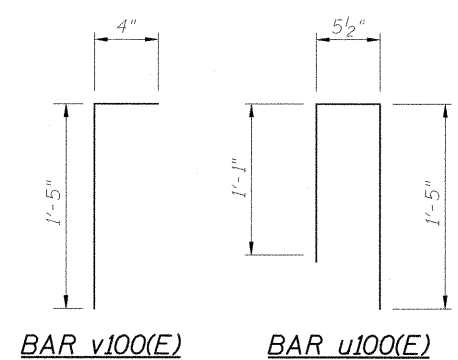


SECTION C-C

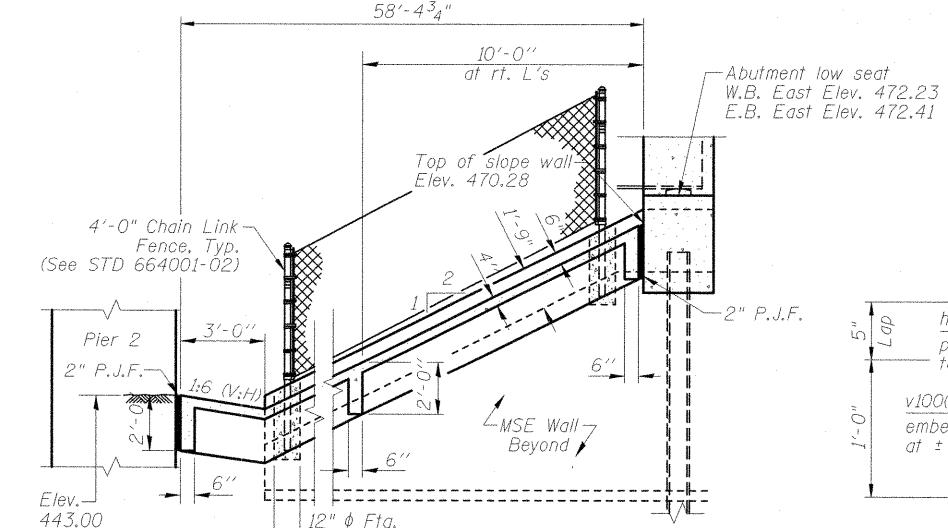
SLOPEWALL LAYOUT

Note:

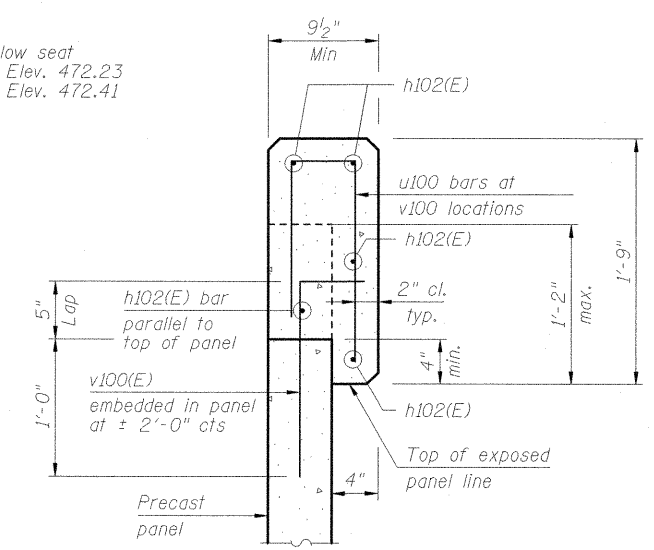
Slope wall shall be reinforced with welded wire fabric, 6 in. x 6 in. - W4.0 x W4.0, weighing 58 lbs. per 100 sq. ft.



SECTION A-A



SECTION B-B



C.I.P. COPING DETAIL

BILL OF MATERIAL

Bar	No.	Size	Length	Shape
*** h102(E)	20	#4	18'-1"	—
*** u100(E)	34	#4	2'-11 1/2"	—
*** v100(E)	34	#4	1'-9"	—
Sloped wall, 4-inch			Sq. Yd.	2,559
Chain Link Fence, 4'			Foot	240

***For information purposes only. Cost of C.I.P. Coping and associated items will not be paid for separately, but shall be included for payment in the contract unit price for Mechanically Stabilized Earth Retaining Wall.

FILE NAME = I:\data\0906603\rdm\cadd\sheet\structural\plans\brdg\slpewall.dgn

CMT
CRAWFORD MURPHY & TILLY, INC.
CONSULTING ENGINEERS
SPRINGFIELD, IL ■ AURORA, IL ■ ST. LOUIS, MO
ROCKFORD, IL ■ PEORIA, IL ■ CHICAGO, IL

USER NAME = Gary Davis	DESIGNED - MCC	REVISED -
	CHECKED - ATI	REVISED -
PLOT SCALE =	DRAWN - GLD	REVISED -
PLOT DATE = 12/7/2011	CHECKED - ATI	REVISED -

STATE OF ILLINOIS
DEPARTMENT OF TRANSPORTATION

SLOPEWALL DETAILS
STRUCTURE NO. 100-0093 (W.B.) & 100-0094 (E.B.)

SHEET NO. S-4 OF S-41 SHEETS

F.A.P. RTE.	SECTION	COUNTY	TOTAL SHEETS	SHEET NO.
331	(IX-1)VB-1	WILLIAMSON	367	170
			CONTRACT NO. 98859	
ILLINOIS FED. AID PROJECT				