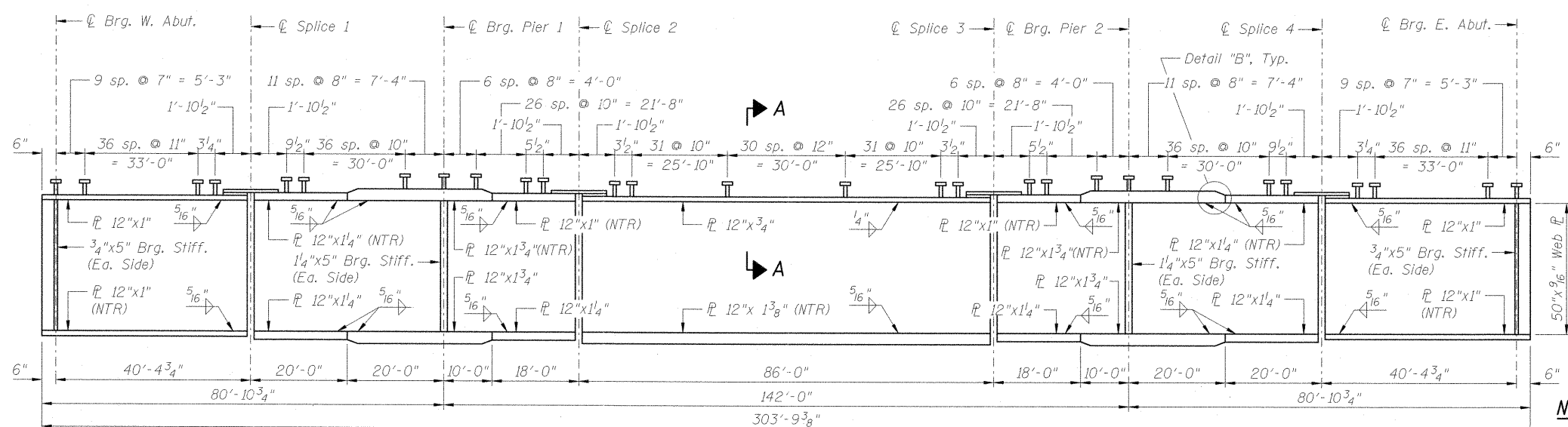
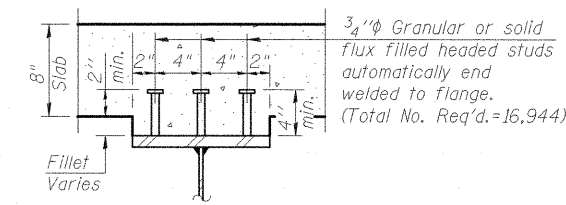


FRAMING PLAN

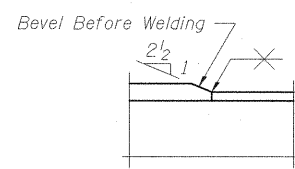


GIRDER ELEVATION

"NTR" denotes plates to which notch toughness requirements are applicable.



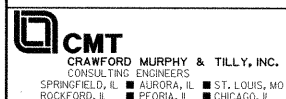
SECTION A-A



DETAIL "B"

NOTES:

- All steel for flanges, webs and bearings shall be AASHTO M270 Grade 50.
- Load carrying components designated "NTR" shall conform to the Impact Testing Requirements, Zone 2.



USER NAME = Gary Davis	DESIGNED - MCC	REVISED -
PLOT SCALE =	CHECKED - ATI	REVISED -
PLOT DATE = 1/10/2012	DRAWN - GLD	REVISED -
	CHECKED - ATI	REVISED -

**STATE OF ILLINOIS
DEPARTMENT OF TRANSPORTATION**

**FRAMING PLAN AND ELEVATION
STRUCTURE NO. 100-0093 (W.B.) & 100-0094 (E.B.)**

SHEET NO. S-230F S-41 SHEETS

F.A.P. RTE.	SECTION	COUNTY	TOTAL SHEETS	SHEET NO.
331	(1X-1)VB-1	WILLIAMSON	367	189
			CONTRACT NO. 98859	
ILLINOIS FED. AID PROJECT				

FILE NAME = I:\data\0906603\draw\cadd\sheet\structural\plans\brgf\rr\bridge\FRAMING PLAN.DTL.S.DGN