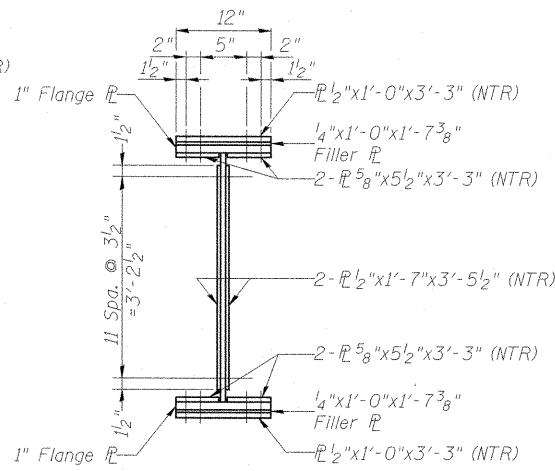
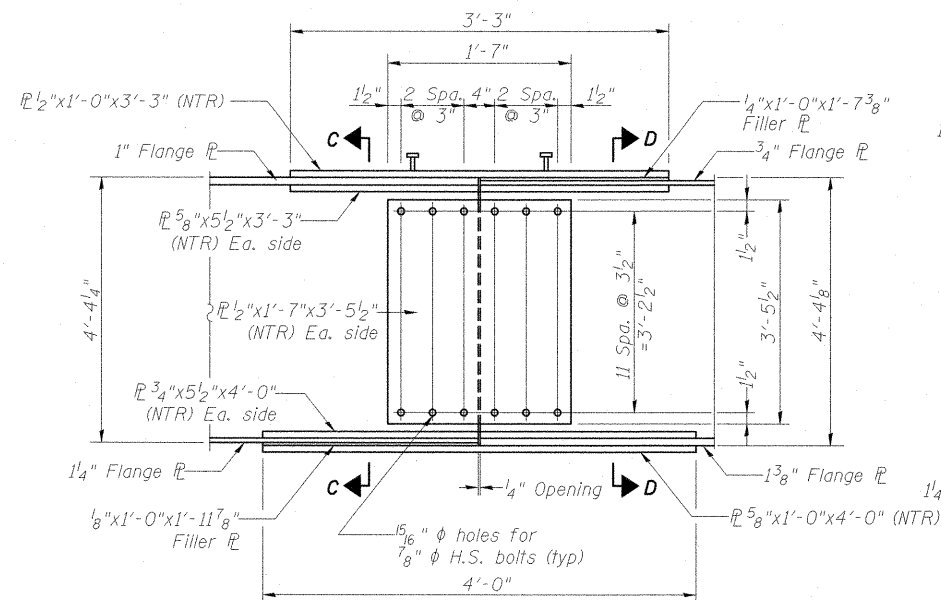


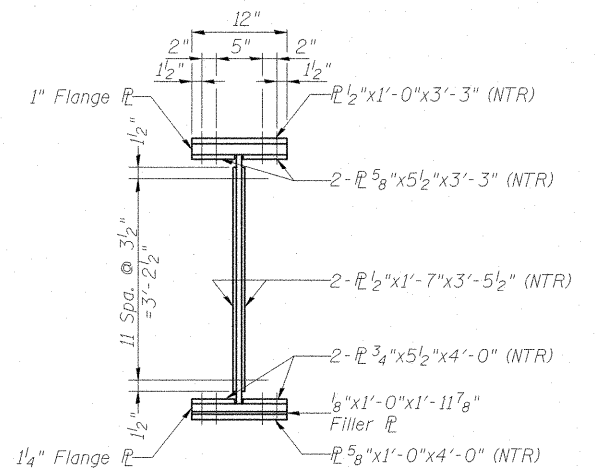
SPLICE-1 & 4 ELEVATION



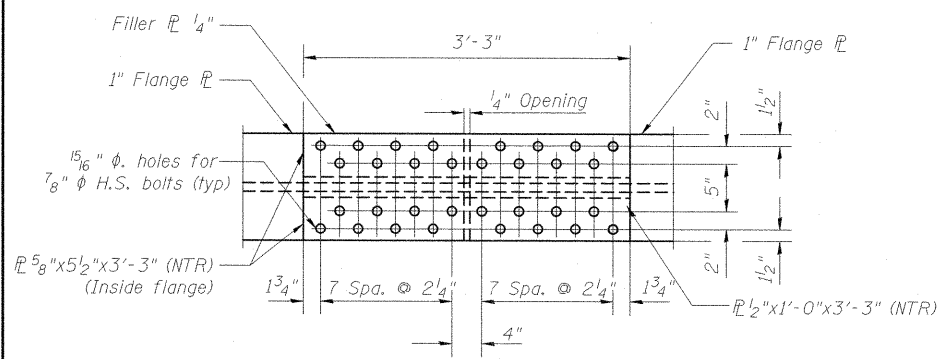
SECTION A-A



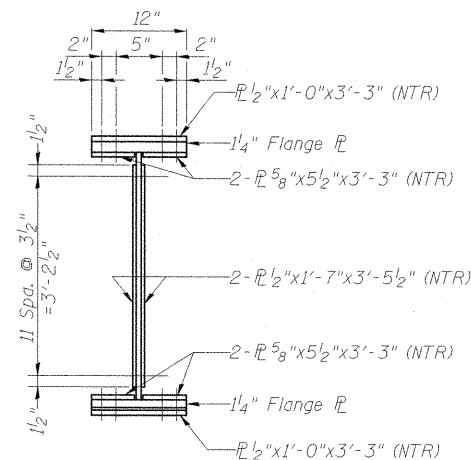
SPLICE-2 & 3 ELEVATION



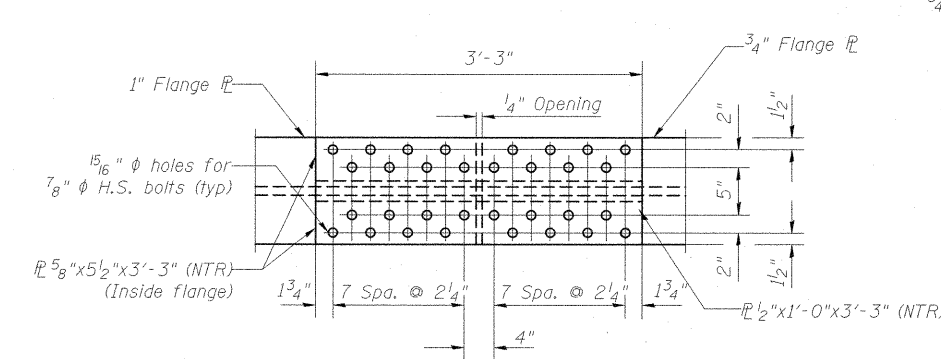
SECTION C-C



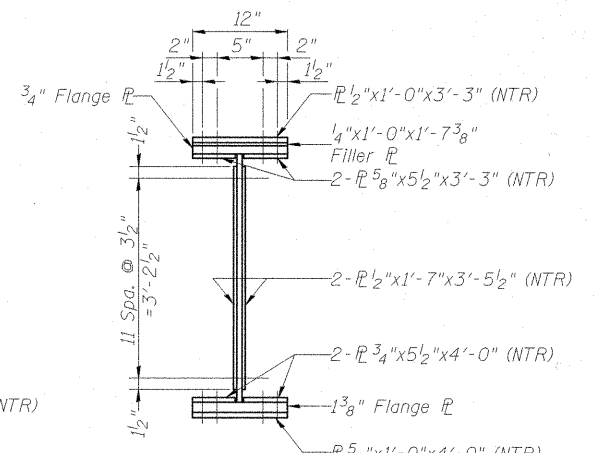
TOP VIEW



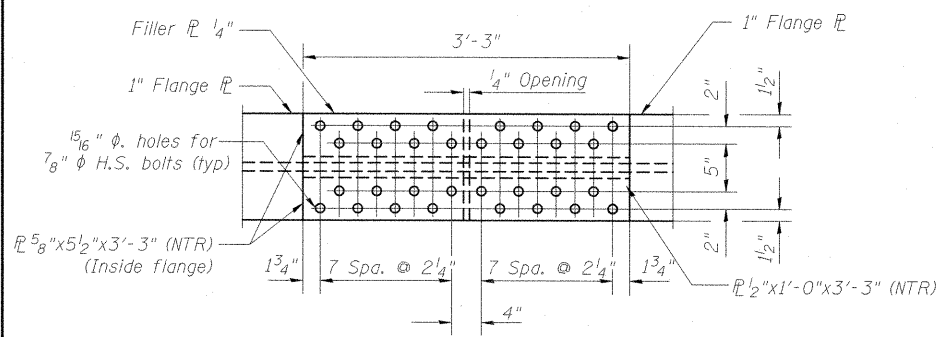
SECTION B-B



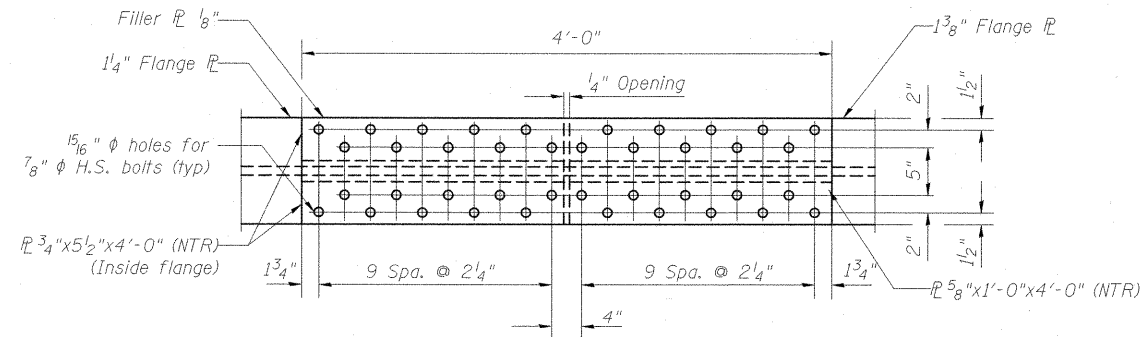
TOP VIEW



SECTION D-D



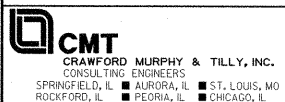
BOTTOM VIEW



BOTTOM VIEW

Notes:

- All structural steel shall be AASHTO M 270 Grade 50.
- Load carrying components designated "NTR" shall conform to the Impact Testing Requirements, Zone 2.



USER NAME = Gary Davis	DESIGNED - MCC	REVISED -
	CHECKED - ATI	REVISED -
PLOT SCALE =	DRAWN - GLD	REVISED -
PLOT DATE = 1/10/2012	CHECKED - ATI	REVISED -

STATE OF ILLINOIS
DEPARTMENT OF TRANSPORTATION

SPLICE DETAILS
STRUCTURE NO. 100-0093 (W.B.) & 100-0094 (E.B.)

SHEET NO. S-25OF S-41 SHEETS

F.A.P. RTE. 331	SECTION (1X-1)VB-1	COUNTY WILLIAMSON	TOTAL SHEETS 367	SHEET NO. 191
				CONTRACT NO. 98859
ILLINOIS FED. AID PROJECT				

FILE NAME: I:\data\98066021\Drawings\Structural\Plans\Sub\Bridges\SPLICE DETAILS.DGN