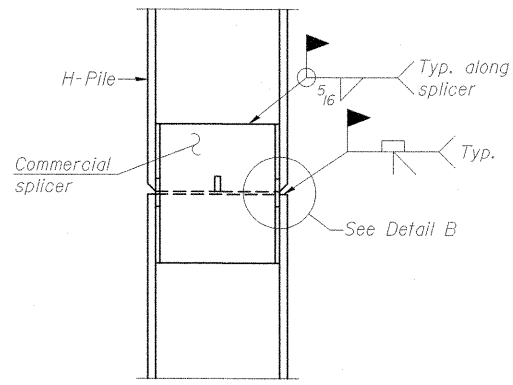
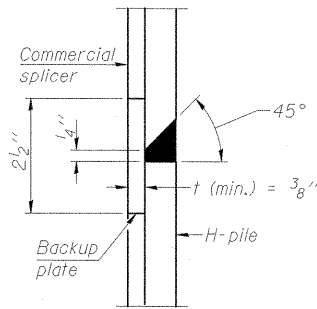


STEEL PILE TABLE

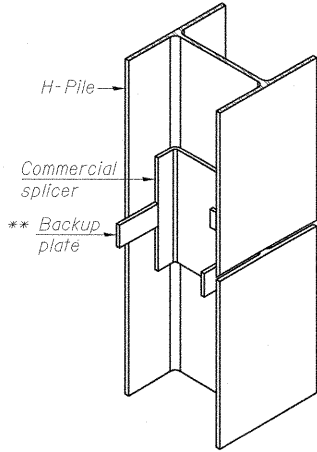
Designation	Depth d	Flange width b _f	Web and Flange thickness t	Encasement diameter A
HP 14x117	14 1/4"	14 7/8"	13/16"	30"
x102	14"	14 3/4"	1/16"	30"
x89	13 7/8"	14 3/4"	5/8"	30"
x73	13 5/8"	14 5/8"	1/2"	30"
HP 12x84	12 1/4"	12 1/4"	1/16"	24"
x74	12 1/8"	12 1/4"	5/8"	24"
x63	12"	12 1/8"	1/2"	24"
x53	11 3/4"	12"	7/16"	24"
HP 10x57	10"	10 1/4"	9/16"	24"
x42	9 3/4"	10 1/8"	7/16"	24"
HP 8x36	8"	8 1/8"	7/16"	18"



ELEVATION



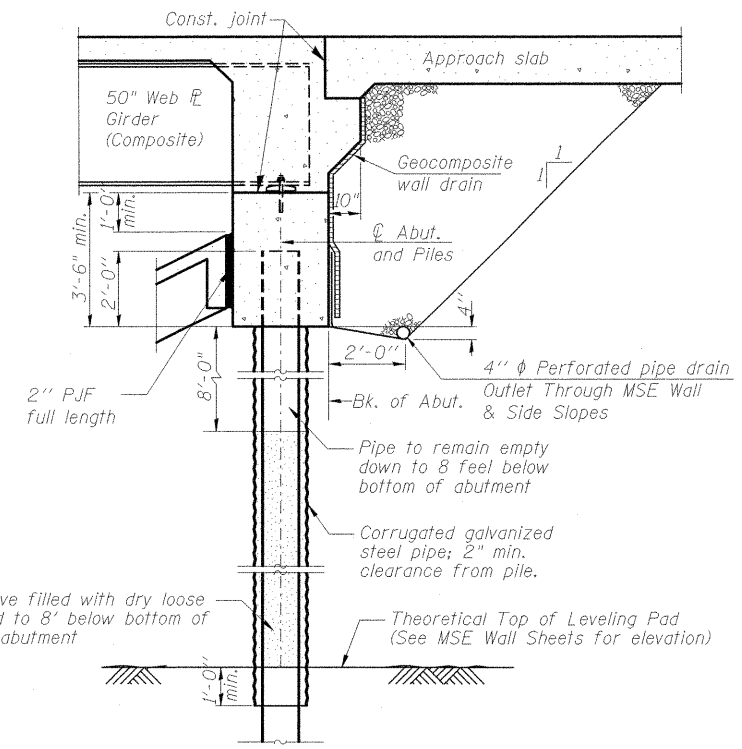
DETAIL "B"



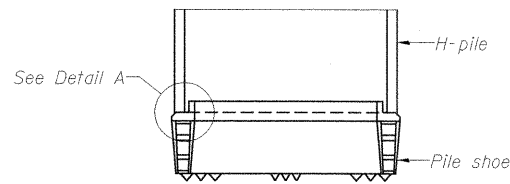
ISOMETRIC VIEW

WELDED COMMERCIAL SPLICE

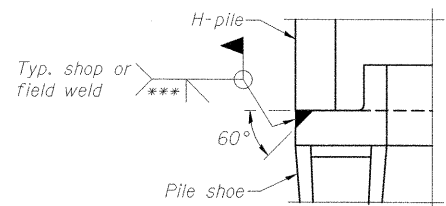
Note:
The steel H-piles shall be according to AASHTO M270 Grade 50.



PILE SLEEVE VERTICAL LIMITS

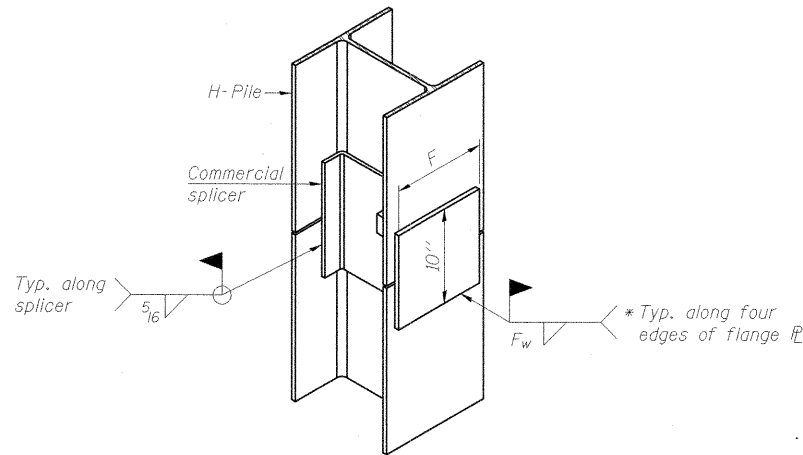


ELEVATION



DETAIL A

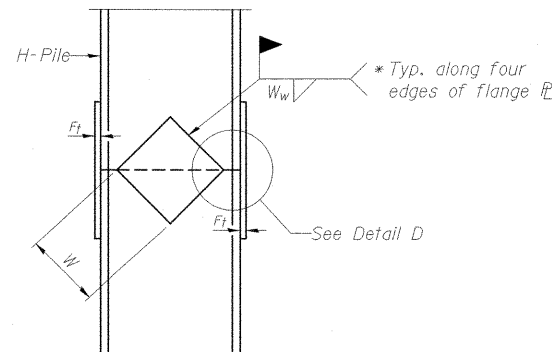
H-PILE SHOE ATTACHMENT



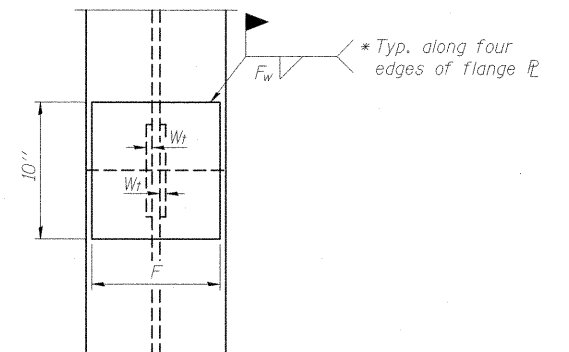
ISOMETRIC VIEW

WELDED COMMERCIAL SPLICE ALTERNATE

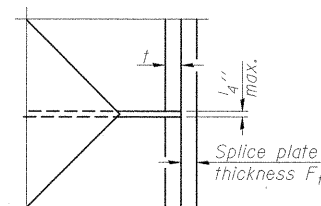
- * Interrupt welds 1/4" from end of web and/or each flange.
- ** Remove portions of backup plates that extend outside the flanges.
- *** Weld size per pile shoe manufacturer (5/16" min.).



ELEVATION



END VIEW



DETAIL D

WELDED PLATE FIELD SPLICE

Designation	F	F ₁	F _w	W	W ₁	W _w
HP 14x117	12 1/2"	1"	7/8"	7 3/4"	5 8/8"	1/2"
x102	12 1/2"	7/8"	3/4"	7 3/4"	5 8/8"	1/2"
x89	12 1/2"	3/4"	1/16"	7 3/4"	5 8/8"	1/2"
x73	12 1/2"	5/8"	9/16"	7 3/4"	5 8/8"	1/2"
HP 12x84	10"	7/8"	1/16"	6 1/2"	5 8/8"	1/2"
x74	10"	7/8"	1/16"	6 1/2"	5 8/8"	1/2"
x63	10"	5/8"	1/2"	6 1/2"	1/2"	3/8"
x53	10"	5/8"	1/2"	6 1/2"	1/2"	3/8"
HP 10x57	8"	3/4"	9/16"	5 1/4"	1/2"	3/8"
x42	8"	5/8"	9/16"	5 1/4"	1/2"	3/8"
HP 8x36	7"	5/8"	7/16"	4 1/4"	1/2"	3/8"

**STATE OF ILLINOIS
DEPARTMENT OF TRANSPORTATION**

**PILE DETAILS
STRUCTURE NO. 100-0093 (W.B.) & 100-0094 (E.B.)**

F.A.P. RTE.	SECTION	COUNTY	TOTAL SHEETS	SHEET NO.
331	(1X-1VB-1)	WILLIAMSON	367	195
				CONTRACT NO. 98859
ILLINOIS FED. AID PROJECT				

CMT
CRAWFORD MURPHY & TILLY, INC.
CONSULTING ENGINEERS
SPRINGFIELD, IL ■ AURORA, IL ■ ST. LOUIS, MO
ROCKFORD, IL ■ PEGASIA, IL ■ CHICAGO, IL

USER NAME = Gary Davis	DESIGNED - MCC	REVISED -
PLOT SCALE =	CHECKED - ATI	REVISED -
PLOT DATE = 12/7/2011	DRAWN - GLD	REVISED -
	CHECKED - ATI	REVISED -

SHEET NO. S-290F S-41 SHEETS

FILE NAME = I:\dot\0906023\Draw\Cadd\sheet\structural\plans\brsf\rr_bridges\PILE DETAILS.DGN