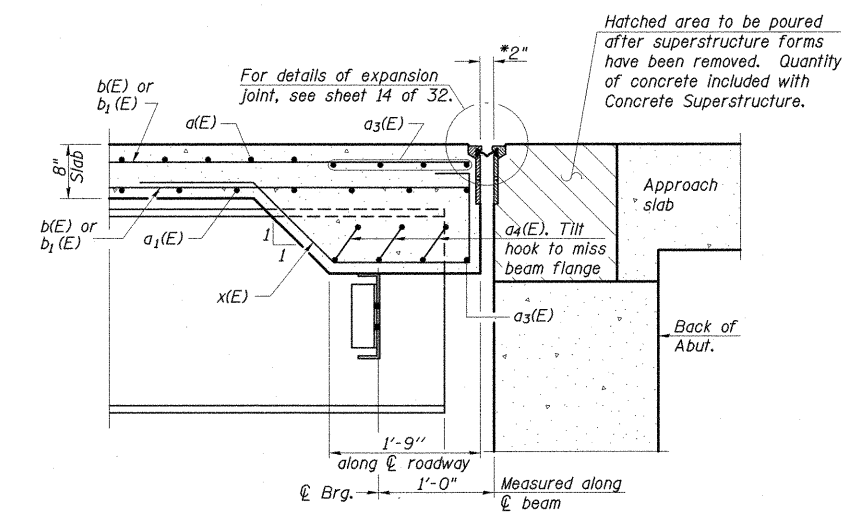


DECK PLAN
(S.N. 100-0095 W.B.)

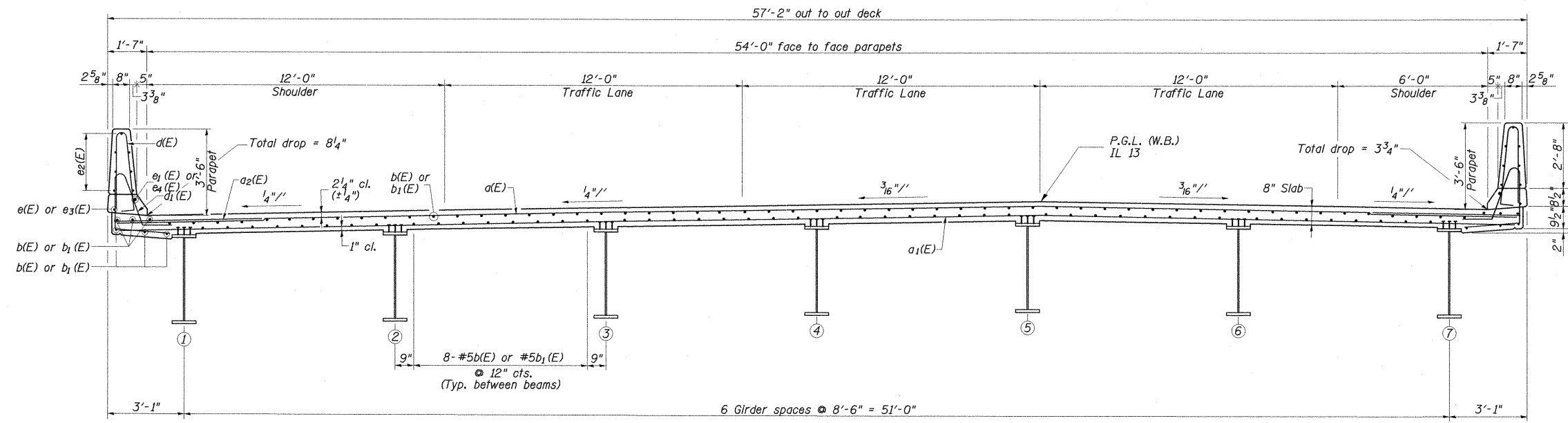


SECTION A-A

*Dimensions are based on a Rolled Rail Strip Seal Joint. If the Contractor elects to use the Welded Rail Strip Seal Joint deck dimensions may require adjustments to satisfy the details on Sheet 14 of 32.

MIN. BAR LAPS

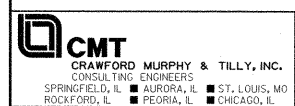
- #4 Bar = 2'-7"
- #5 Bar = 3'-3"
- #6 Bar = 3'-10"
- #8 Bar = 6'-9"



TYPICAL CROSS SECTION
(Looking East)

NOTES:

1. See Sheet 13 of 32 for parapet details and S.N. 100-0095 Superstructure Bill of Material.



FILE NAME =	USER NAME =	DESIGNED - SF	REVISED -
I:\dot\0906603\draw\cadd\sheet\structure\al plans\marathon dr bridge\marathon.fina	al plans\marathon dr bridge\marathon.fina	CHECKED - SUPERSWB	REVISED -
		DRAWN - GLD	REVISED -
		CHECKED - SF	REVISED -

STATE OF ILLINOIS
DEPARTMENT OF TRANSPORTATION

SUPERSTRUCTURE
STRUCTURE NO. 100-0095 (W.B.)

SHEET NO. 11 OF 32 SHEETS

F.A.P. RTE.	SECTION	COUNTY	TOTAL SHEETS	SHEET NO.
331	(1X-1) VB-1, B-1, N-4, R-3	WILLIAMSON	367	218
				CONTRACT NO. 98859
ILLINOIS FED. AID PROJECT				