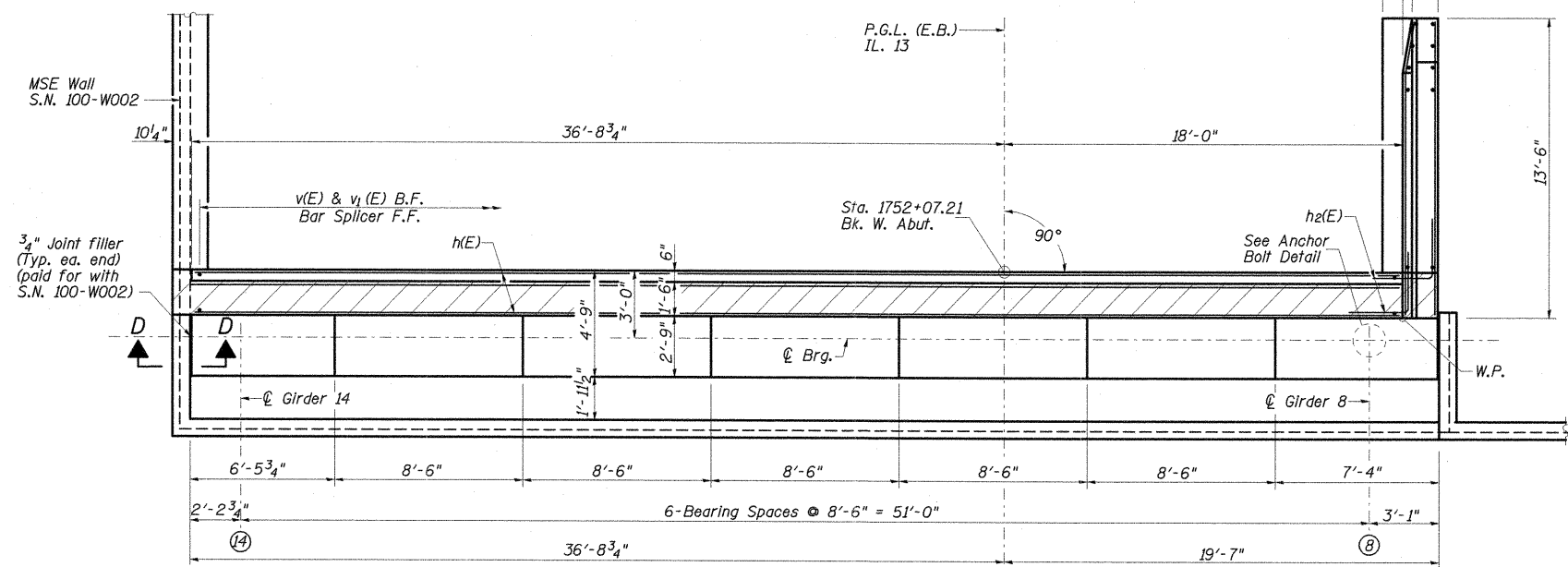
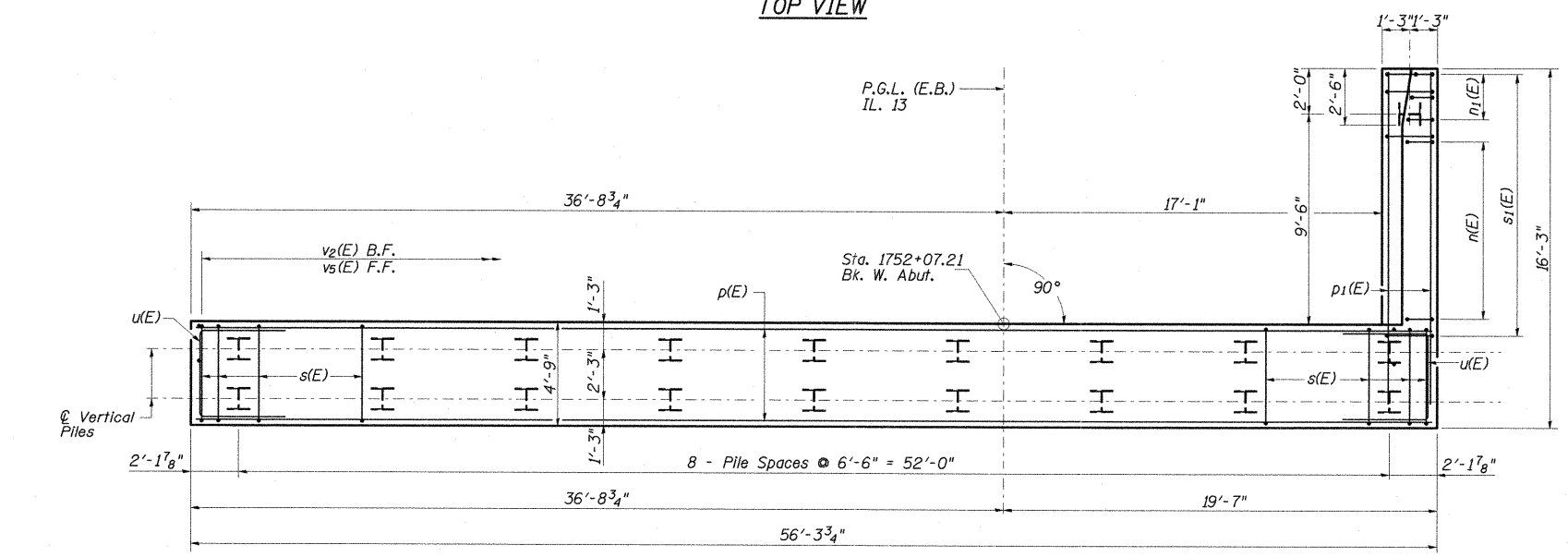


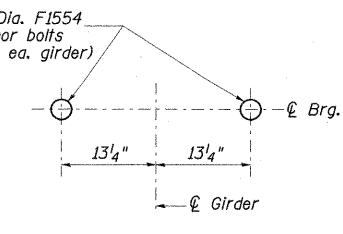
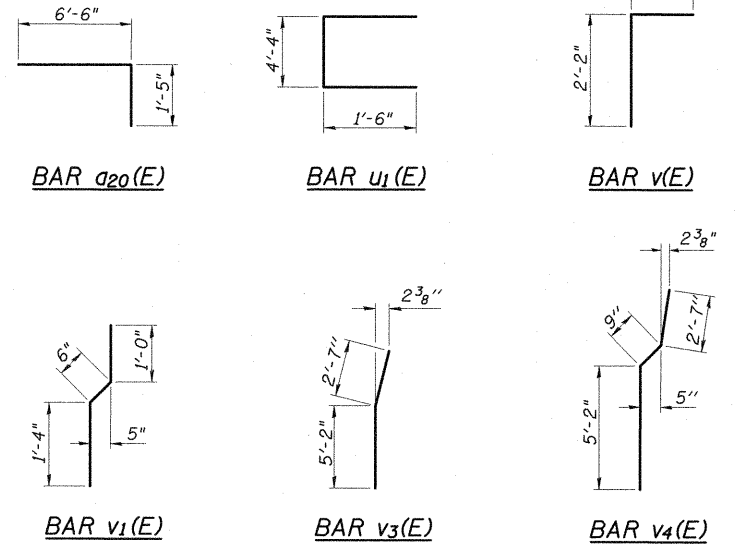
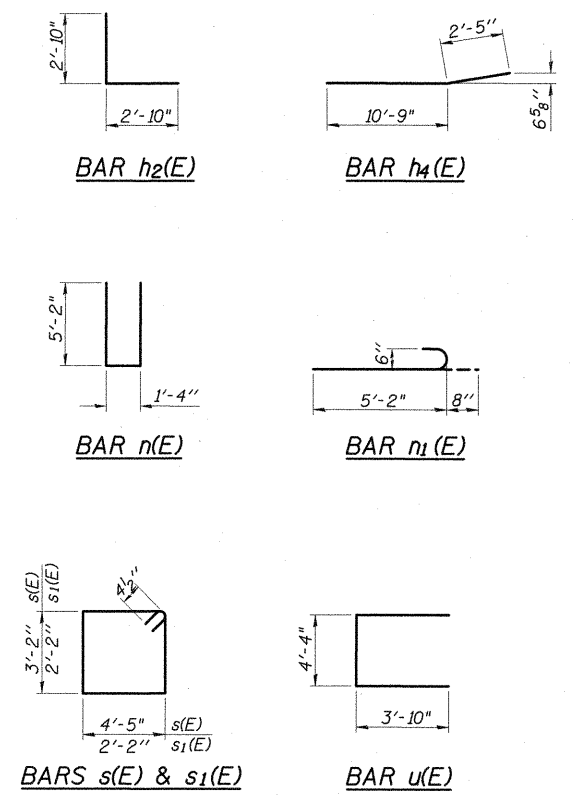
ELEVATION



TOP VIEW



PILE CAP PLAN



ANCHOR BOLT DETAIL

EAST ABUTMENT  
BILL OF MATERIAL

Bar	No.	Size	Length	Shape
a20(E)	2	#6	7'-11"	
h(E)	8	#5	54'-4"	
h1(E)	5	#6	55'-3"	
h2(E)	10	#5	5'-7"	
h3(E)	6	#5	13'-2"	
h4(E)	6	#5	13'-2"	
n(E)	9	#6	11'-4"	
n1(E)	6	#6	5'-10"	
p(E)	10	#7	55'-11"	
p1(E)	6	#7	15'-1"	
p2(E)	4	#6	55'-11"	
p3(E)	5	#5	40'-11"	
s(E)	76	#4	15'-6"	
s1(E)	15	#4	9'-0"	
u(E)	8	#6	11'-9"	
u1(E)	34	#4	7'-3"	
v(E)	55	#5	4'-1"	
v1(E)	55	#4	2'-10"	
v2(E)	55	#6	5'-8"	
v3(E)	3	#6	7'-9"	
v4(E)	9	#6	8'-6"	
v5(E)	55	#6	7'-4"	
v6(E)	12	#6	8'-5"	
Concrete Structures		Cu. Yd.	60.5	
Concrete Superstructure		Cu. Yd.	6.9	
Reinforcement Bars, Epoxy Coated		Pound	6,100	
Furnishing Steel Piles, HP 12x53		Foot	741	
Driving Piles		Foot	741	
Concrete Sealer		Sq. Ft.	527	

BEAM SEAT ELEVATIONS

LOCATION	ELEVATION
A	466.20
B	466.38
C	466.56
D	466.72
E	466.85
F	466.74
G	466.58

PILE DATA

Pile Type and Size:	HP 12x53
Nominal Bearing Required:	419 Kips
Factored Resistance Available:	230 Kips
Estimated Pile Length:	39 Ft.
Number of Production Piles:	19
Number of Test Piles:	0

NOTES:

1. Pour steps monolithically with cap.
2. Space reinforcement to miss anchor bolts.
3. See Sheet 2 of 32 for abutment backfill requirements.
4. See Sheet 27 of 32 for steel H-pile details.
5. For details of Bar Splicers, see sheet 26 of 32.
6. Hatched area to be poured after superstructure false work has been removed. Quantity of concrete included with Concrete Superstructure.
7. Quantity of concrete in end post included with Concrete Superstructure.

**CMT**  
CRAWFORD MURPHY & TILLY, INC.  
CONSULTING ENGINEERS  
SPRINGFIELD, IL ■ AURORA, IL ■ ST. LOUIS, MO  
ROCKFORD, IL ■ PEORIA, IL ■ CHICAGO, IL

FILE NAME =	USER NAME =	DESIGNED - SF	REVISED -
I:\dot\0906603\draw\cadd\sheet\structure\al plans\marathon dr bridge\marathon_final		CHECKED - WEST	REVISED -
		DRAWN - GLD	REVISED -
		CHECKED - SF	REVISED -

STATE OF ILLINOIS  
DEPARTMENT OF TRANSPORTATION

WEST ABUTMENT  
STRUCTURE NO. 100-0096 (E.B.)

SHEET NO. 23 OF 32 SHEETS

F.A.P. RTE.	SECTION	COUNTY	TOTAL SHEETS	SHEET NO.
331	(1X-1) VB-1, B-1, N-4, R-3	WILLIAMSON	367	230

CONTRACT NO. 98859

ILLINOIS FED. AID PROJECT