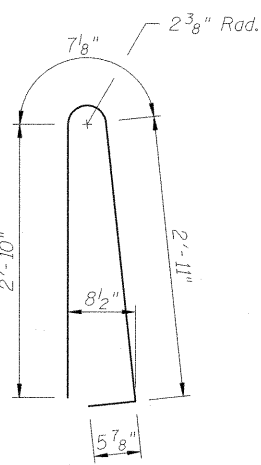
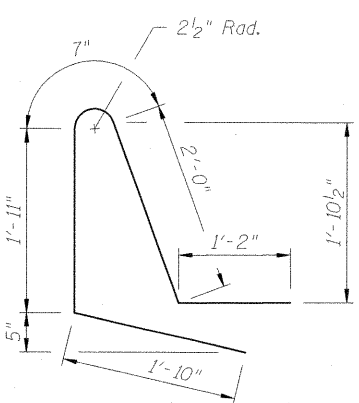


**DETAIL A**

\* The M.S.E. wall supplier's internal stability design shall account for the anchorage slab's bearing pressure surcharge of 1.0 ksf and horizontal sliding force of 0.5 kips/ft. of wall.



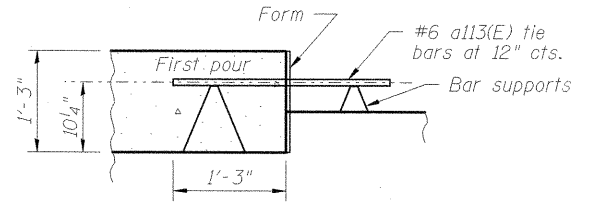
**BAR d100(E)**



**BAR d101(E)**

- 2'-10" a111(E)
- 4'-0" a109(E)
- 5'-3" a107(E)
- 6'-6" a105(E)
- 7'-3" a100(E)

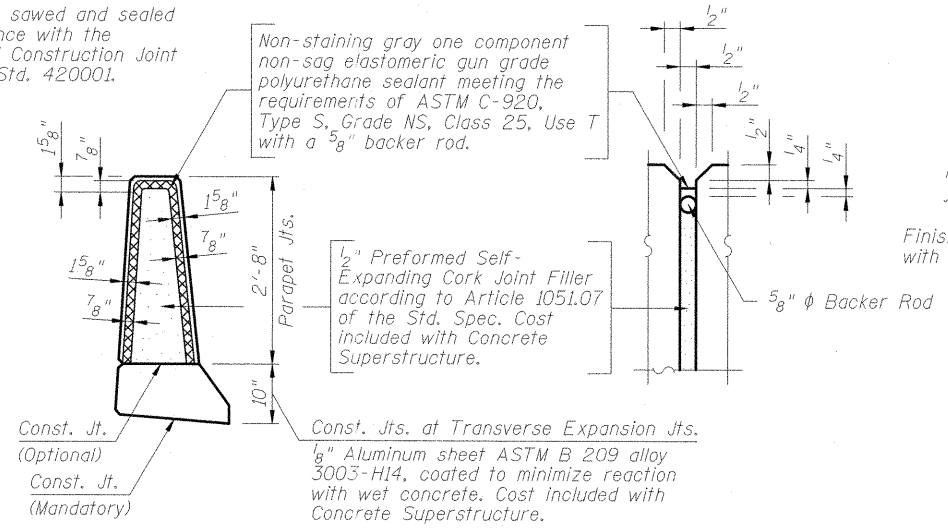
**BAR a100(E), a105(E), a107(E), a109(E), & a111(E)**



**CONSTRUCTION JOINT**

Note: Joint to be sawed and sealed in accordance with the Longitudinal Construction Joint Details on Std. 420001.

Non-staining gray one component non-sag elastomeric gun grade polyurethane sealant meeting the requirements of ASTM C-920, Type S, Grade NS, Class 25, Use T with a 5/8" backer rod.



**PARAPET JOINT DETAILS**

1/2" Preformed Self-Expanding Cork Joint Filler according to Article 1051.07 of the Std. Spec. Cost included with Concrete Superstructure.

Const. Jts. (Optional)

Const. Jts. (Mandatory)

Const. Jts. at Transverse Expansion Jts.

3/8" Aluminum sheet ASTM B 209 alloy 3003-H14, coated to minimize reaction with wet concrete. Cost included with Concrete Superstructure.

**MOMENT SLAB/PARAPET BILL OF MATERIAL**

Bar	No	Size	Length	Shape
a100(E)	863	#6	8'-8"	
a101(E)	863	#6	7'-3"	
a102(E)	2	#6	4'-11"	
a103(E)	2	#6	3'-8"	
a104(E)	2	#6	2'-5"	
a105(E)	1	#6	7'-11"	
a106(E)	1	#6	6'-6"	
a107(E)	1	#6	6'-8"	
a108(E)	1	#6	5'-3"	
a109(E)	1	#6	5'-5"	
a110(E)	1	#6	4'-0"	
a111(E)	1	#6	4'-3"	
a112(E)	1	#6	2'-10"	
a113(E)	863	#6	2'-6"	
a114(E)	24	#5	2'-0"	
b100(E)	34	#4	13'-5"	
b101(E)	680	#4	14'-6"	
b102(E)	51	#4	29'-6"	
b103(E)	85	#4	26'-8"	
b104(E)	51	#4	12'-0"	
d100(E)	978	#5	6'-10"	
d101(E)	978	#5	7'-6"	
e100(E)	4	#4	23'-4"	
e101(E)	3	#8	32'-7"	
e102(E)	3	#4	27'-3"	
e103(E)	3	#8	29'-4"	
e104(E)	5	#4	25'-11"	
e105(E)	4	#8	34'-3"	
e106(E)	21	#4	29'-4"	
e107(E)	19	#8	35'-3"	
e108(E)	14	#4	13'-6"	
e109(E)	280	#4	14'-6"	
e110(E)	28	#4	19'-0"	
e111(E)	42	#4	19'-9"	
e112(E)	21	#4	12'-0"	
Concrete Superstructure		Cu. Yd.	427.7	
Reinforcement Bars, Epoxy Coated		Lb.	55,690	

**MINIMUM BAR LAPS**

Bar	Lap
#4 (Moment Slab)	2'-3"
#4 (Parapet)	2'-0"
#8 (Parapet)	5'-2"

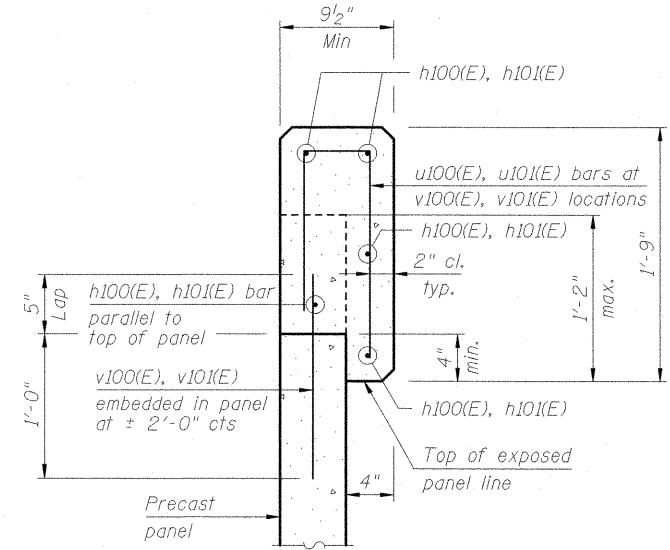
Reinforcement bars designated (E) shall be epoxy coated.

Slipforming of the parapets is not allowed.

Moment slab joints shall be sealed in accordance with Art. 420.05.

All work including dowel bars, joint filler, joint sealer, backer rod, and expansion cap necessary to complete the construction of joints will be included for payment in the contract unit price for Concrete Superstructure.

For location of joints and reinforcing details in parapet and moment slab, see Sheets 9 thru 12 of 17.



**COPING DETAIL**

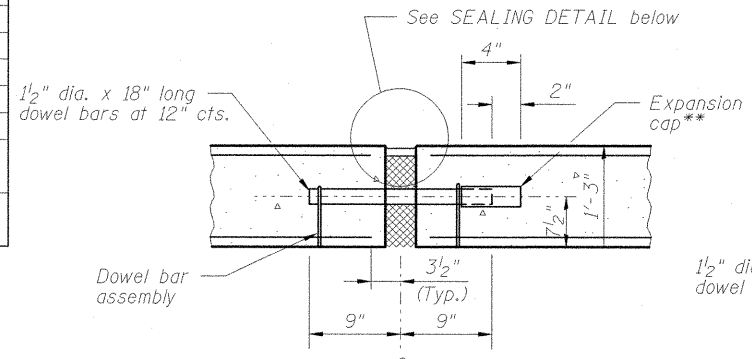
**BAR u100(E), u101(E)**

**C.I.P. COPING BILL OF MATERIAL**

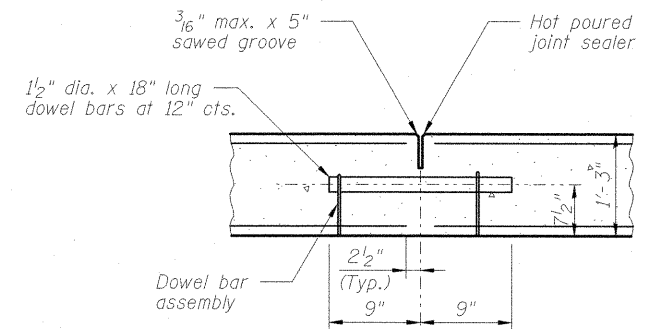
Bar	No.	Size	Length	Shape	Wall
h100(E)	15	#4	26'-6"		North
h101(E)	15	#4	26'-9"		South
u100(E)	38	#4	2'-11 1/2"		North
u101(E)	38	#4	2'-11 1/2"		South
v100(E)	38	#4	1'-5"		North
v101(E)	38	#4	1'-5"		South
Concrete Superstructure		Cu. Yd.	6.9		
Reinforcement Bars, Epoxy Coated		Lb.	760		

For information purposes only.

Cost of C.I.P. Coping will be included for payment in the contract unit price for Mechanically Stabilized Earth Retaining Wall.

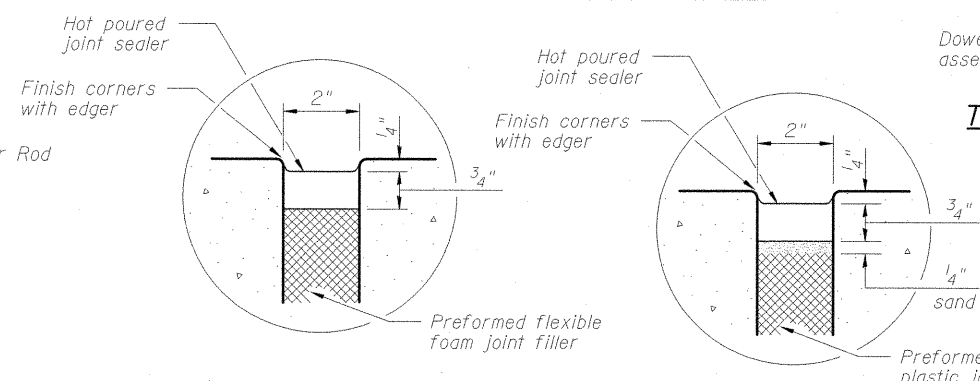


**TRANSVERSE EXPANSION JOINT**



**TRANSVERSE CONTRACTION JOINT**

\*\* Expansion caps shall be installed on the exposed end of each dowel bar once the header has been removed and the joint filler material has been installed.



**SEALING DETAIL**

**CMT**  
CRAWFORD MURPHY & TILLY, INC.  
CONSULTING ENGINEERS  
SPRINGFIELD, ILL. ■ AURORA, ILL. ■ ST. LOUIS, MO  
ROCKFORD, ILL. ■ PEORIA, ILL. ■ CHICAGO, ILL.

FILE NAME = L:\IDOT\0906603\Draw\CADD\_Sheets\STRUCTURAL PLANS\MSE WALLS\100-W001\100W001-98859-008-Slab.Parapet.dgn  
USER NAME = Gary Davis  
DESIGNED - JMW  
CHECKED - REB  
DRAWN - AJK  
PLOT SCALE = 1.0000' / IN.  
PLOT DATE = 1/10/2012

REVISOR -  
REVISION -  
REVISOR -  
REVISION -  
REVISOR -  
REVISION -

**STATE OF ILLINOIS  
DEPARTMENT OF TRANSPORTATION**

**MOMENT SLAB, PARAPET AND COPING DETAILS  
STRUCTURE NO. 100-W001**

SHEET NO. 8 OF 17 SHEETS

F.A.P. RTE.	SECTION	COUNTY	TOTAL SHEETS	SHEET NO.
331	(1X-1) VB-1, B-1, N-4, R-3	WILLIAMSON	367	247
				CONTRACT NO. 98859

ILLINOIS FED. AID PROJECT