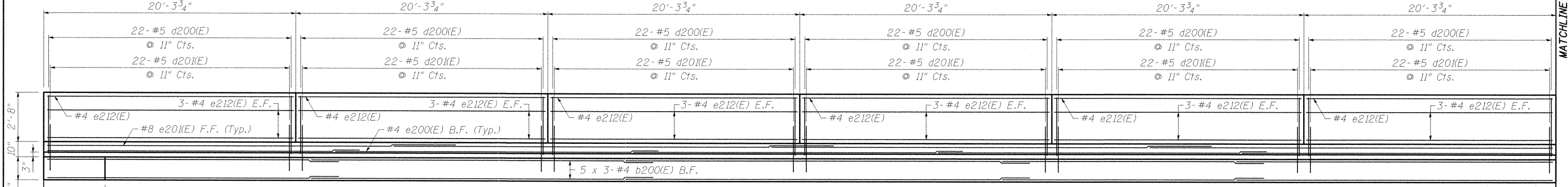


MOMENT SLAB PLAN - NORTH WALL

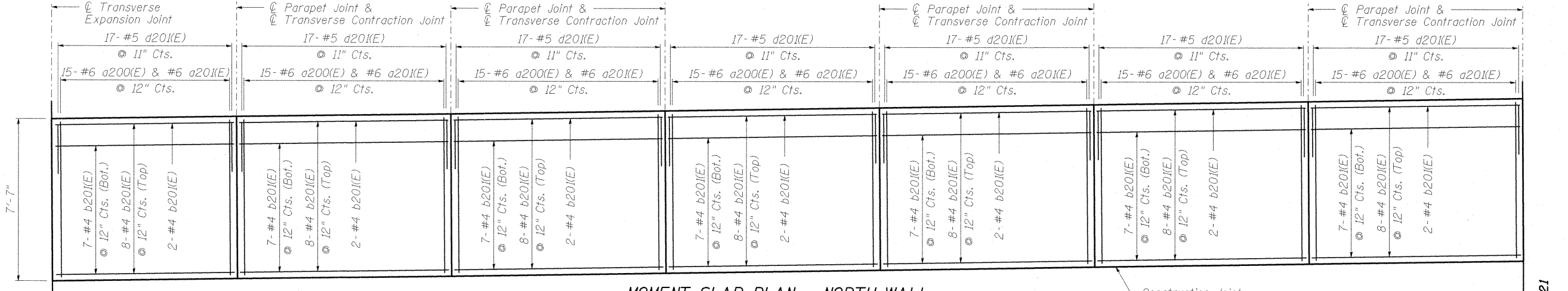


INSIDE NORTH PARAPET ELEVATION

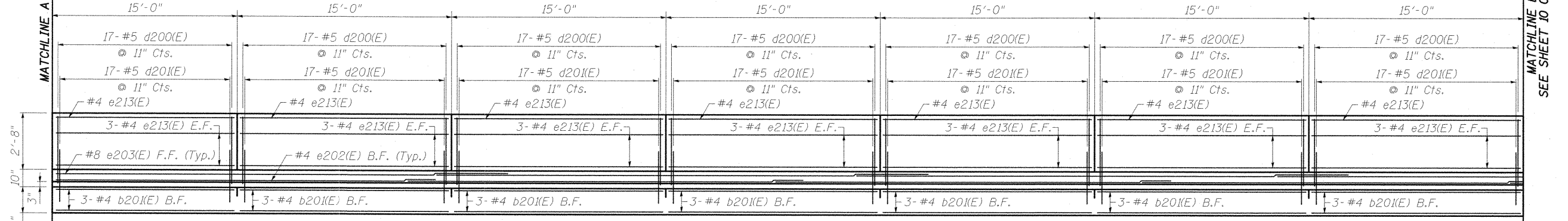
MINIMUM BAR LAPS

Bar	Lap
#4 (Moment Slab)	2'-3"
#4 (Parapet)	2'-0"
#8 (Parapet)	5'-2"

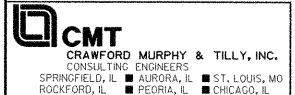
Reinforcement bars designated (E) shall be epoxy coated.
See sheet 8 of 21 for joint details.
Longitudinal dimensions are measured horizontally along the back of the parapet.



MOMENT SLAB PLAN - NORTH WALL



INSIDE NORTH PARAPET ELEVATION



FILE NAME = L:\DOT\0906603\Draw\CADD_Sheets\STRUCTURAL PLANS\MSE WALLS\100-W002\100W002-98859-009-N.Parapet.Elev.dgn	USER NAME = Gary Davis	DESIGNED - JMW	REVISIONS -
		CHECKED - REB	REVISIONS -
		DRAWN - AJK	REVISIONS -
		CHECKED - REB	REVISIONS -

**STATE OF ILLINOIS
DEPARTMENT OF TRANSPORTATION**

**JOINT AND REINFORCING DETAILS
STRUCTURE NO. 100-W002**

SHEET NO. 9 OF 21 SHEETS

F.A.P. RTE. 331	SECTION (1X-1) VB-1, B-1, N-4, R-3	COUNTY WILLIAMSON	TOTAL SHEETS 367	SHEET NO. 265
			CONTRACT NO. 98859	
ILLINOIS FED. AID PROJECT				

MATCHLINE A

MATCHLINE B
SEE SHEET 10 OF 21