

**DETAIL A**

\* The M.S.E. wall supplier's internal stability design shall account for the anchorage slab's bearing pressure surcharge of 1.0 ksf and horizontal sliding force of 0.5 kips/ft. of wall.

**MOMENT SLAB/PARAPET  
BILL OF MATERIAL**

Bar	No	Size	Length	Shape
a300(E)	583	#6	8'-8"	
a301(E)	583	#6	7'-3"	
a302(E)	588	#6	2'-6"	
a303(E)	16	#5	2'-0"	
b300(E)	17	#4	21'-9"	
b301(E)	34	#4	11'-11"	
b302(E)	493	#4	14'-4"	
b303(E)	68	#4	26'-9"	
d300(E)	626	#5	6'-10"	
d301(E)	626	#5	7'-6"	
e300(E)	1	#4	21'-9"	
e301(E)	1	#8	21'-9"	
e302(E)	17	#4	28'-9"	
e303(E)	15	#8	35'-4"	
e304(E)	4	#4	26'-5"	
e305(E)	4	#8	28'-9"	
e306(E)	14	#4	10'-7"	
e307(E)	14	#4	11'-10"	
e308(E)	98	#4	14'-4"	
e309(E)	105	#4	14'-5"	
e310(E)	35	#4	19'-6"	
Concrete Superstructure		Cu. Yd.	289.8	
Reinforcement Bars, Epoxy Coated		Lb.	36,830	

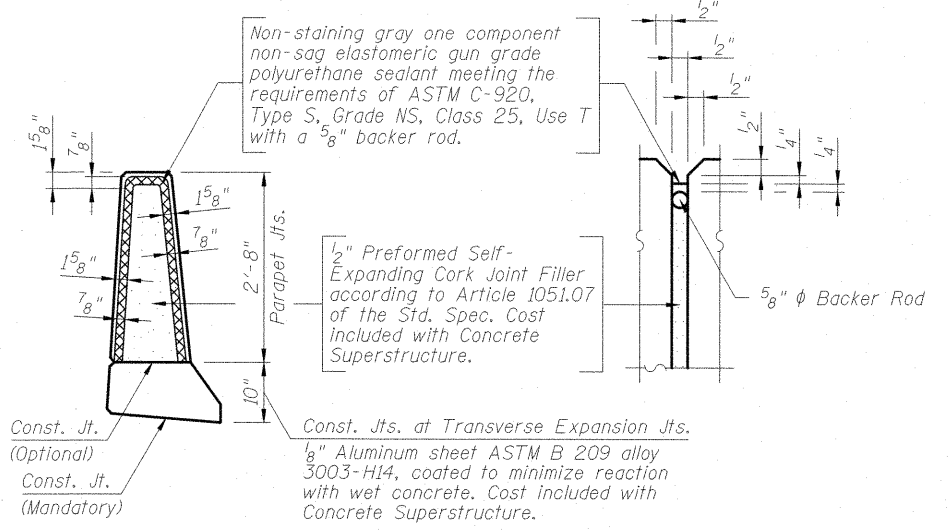
Reinforcement bars designated (E) shall be epoxy coated.

Slipforming of the parapets is not allowed.

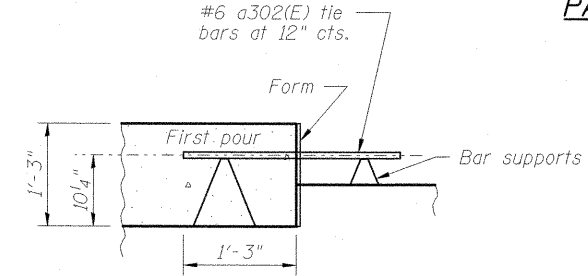
Moment slab joints shall be sealed in accordance with Art. 420.05.

All work including dowel bars, joint filler, joint sealer, and expansion cap necessary to complete the construction of joints will be included for payment in the contract unit price for Concrete Superstructure.

For location of joints and reinforcing details in parapet and moment slab, see Sheets 9 thru 11 of 16.



**PARAPET JOINT DETAILS**

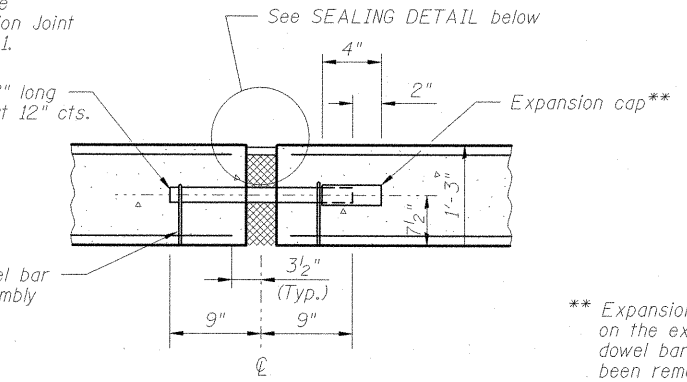


**CONSTRUCTION JOINT**

Note: Joint to be sawed and sealed in accordance with the Longitudinal Construction Joint Details on Std. 420001.

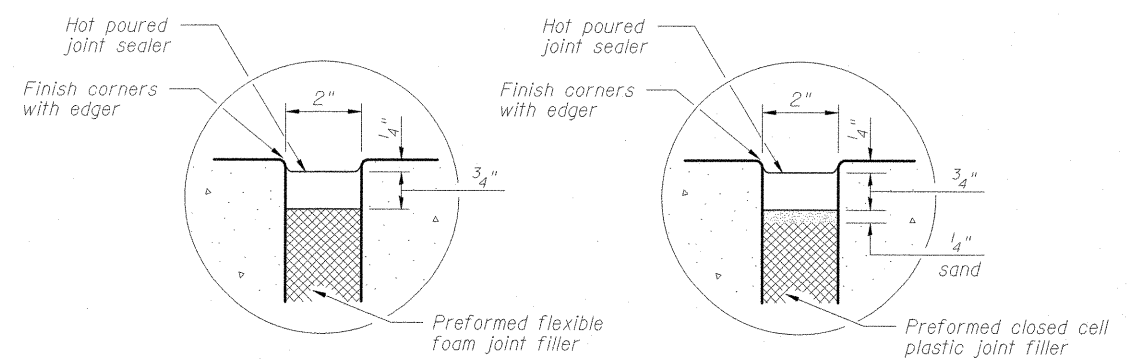
**MINIMUM BAR LAPS**

Bar	Lap
#4 (Moment Slab)	2'-3"
#4 (Parapet)	2'-0"
#8 (Parapet)	5'-2"

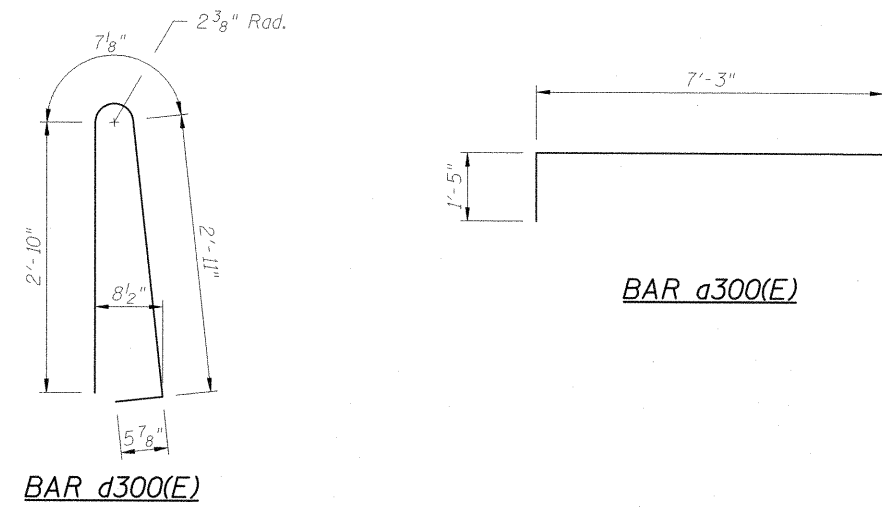


**TRANSVERSE EXPANSION JOINT**

\*\*\* Expansion caps shall be installed on the exposed end of each dowel bar once the header has been removed and the joint filler material has been installed.

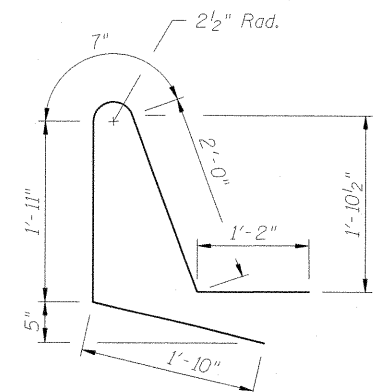


**SEALING DETAIL**

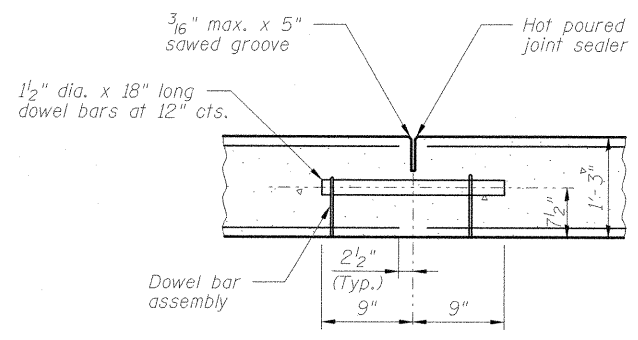


**BAR d300(E)**

**BAR a300(E)**



**BAR d301(E)**



**TRANSVERSE CONTRACTION JOINT**

**CMT**  
CRAWFORD MURPHY & TILLY, INC.  
CONSULTING ENGINEERS  
SPRINGFIELD, IL ■ AURORA, IL ■ ST. LOUIS, MO  
ROCKFORD, IL ■ PEORIA, IL ■ CHICAGO, IL

FILE NAME = L:\DDT\0906603\Draw\CADD_Sheets\STRUCTURAL PLANS\SE WALLS\100-W003\100W003-98859-008-Slab-Parapet.dgn	USER NAME = Gary Davis	DESIGNED - JMW	REVISD -
		CHECKED - REB	REVISD -
		DRAWN - AJK	REVISD -
		CHECKED - REB	REVISD -

**STATE OF ILLINOIS  
DEPARTMENT OF TRANSPORTATION**

**MOMENT SLAB AND COPING DETAILS  
STRUCTURE NO. 100-W003**

SHEET NO. 8 OF 16 SHEETS

F.A.P. RTE. 331	SECTION (IX-1) VB-1, B-1, N-4, R-3	COUNTY WILLIAMSON	TOTAL SHEETS 367	SHEET NO. 285
				CONTRACT NO. 98859
ILLINOIS FED. AID PROJECT				