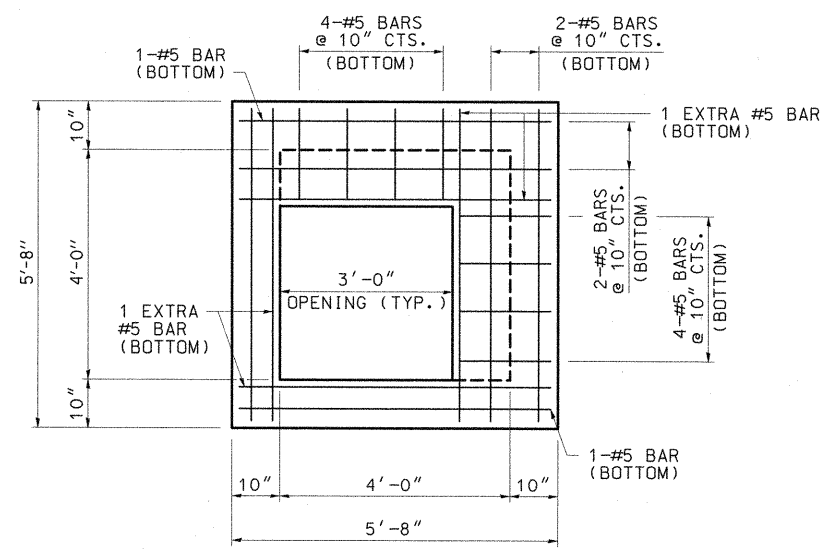


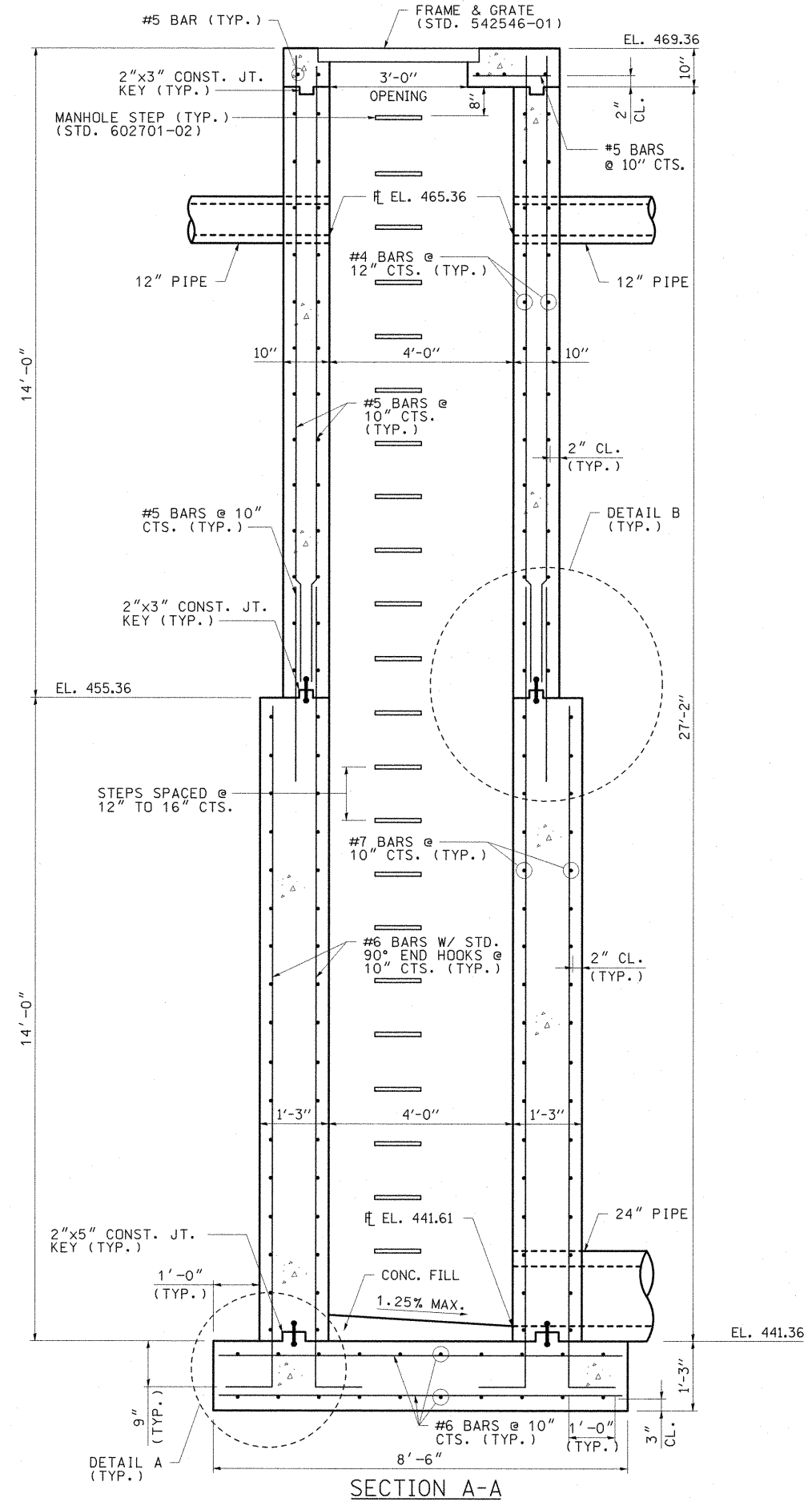
PLAN - MEDIAN INLET



PLAN - TOP SLAB REINFORCEMENT

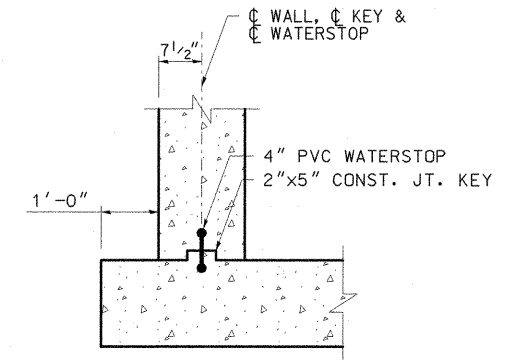
ESTIMATED QUANTITIES
(FOR INFORMATION ONLY)

CONCRETE CLASS SI	CU. YD.	25.2
REINFORCEMENT BARS	POUND	5,330
FRAME & GRATE (STD. 542546-01)	EACH	1

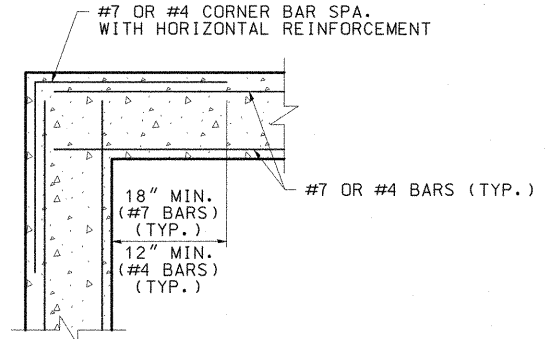


SECTION A-A

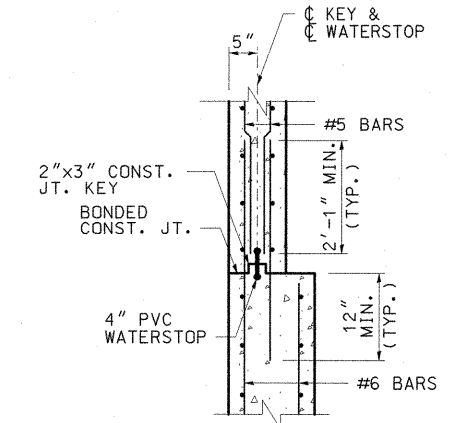
NOTES:
 CAST-IN-PLACE CONCRETE SHALL HAVE A MINIMUM 28 DAY COMPRESSIVE STRENGTH OF 4000 PSI.
 ALL REINFORCEMENT SHALL BE ASTM A615 GRADE 60.
 REINFORCING BARS SHALL BE CUT AND/OR BENT AT ALL PIPE OPENINGS TO MAINTAIN 1" CLEARANCE FROM PIPES.
 MINIMUM CLEARANCE TO REINFORCING STEEL SHALL BE 1 1/2" UNLESS OTHERWISE SHOWN.
 ALL WORK INCLUDING CONCRETE, REINFORCING STEEL, FRAME AND GRATE, WATERSTOP AND MANHOLE STEPS NECESSARY TO COMPLETE THE STRUCTURE SHALL BE CONSIDERED COMPLETELY COVERED BY THE CONTRACT UNIT PRICE FOR FLUSH INLET BOX FOR MEDIAN, STANDARD 542546, SPECIAL (EACH).



DETAIL A
REINFORCEMENT NOT SHOWN FOR CLARITY.



PLAN - TYPICAL WALL CORNER DETAIL



DETAIL B