

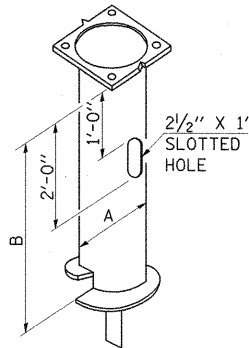
LIGHT POLE FOUNDATION

DATA, STEEL ** FOUNDATION TABLE			
BOLT CIRCLE	A	B	MOUNTING HEIGHT
1'-3"	10"	6'-0"	45'-0" OR 50'-0" *
1'-3"	8"	6'-0"	45'-0"
11"	8"	6'-0"	40'-0" OR LESS

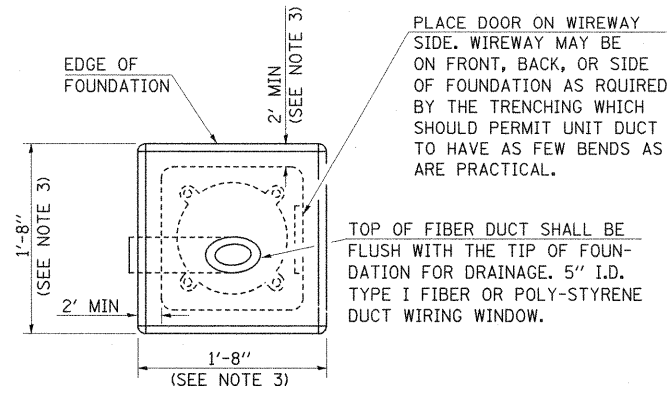
LOW MOUNTING FOUNDATION TABLE		
HEIGHT	DEPTH	BOLT CIRCLE
30'-0"	5'-0"	11"
31'-0" - 35'-0"	6'-0"	11"
36'-0" - 40'-0"	7'-0"	1'-3"
41'-0" - 45'-0"	7'-6"	1'-3"
46'-0" - 50'-0"	8'-0"	1'-3"

* FOR USE ON POLES
W/TWIN TENON

** MINIMUM TORQUE
REQ'D TO INSTALL
FOUNDATIONS SHALL
BE 5,000 LBS

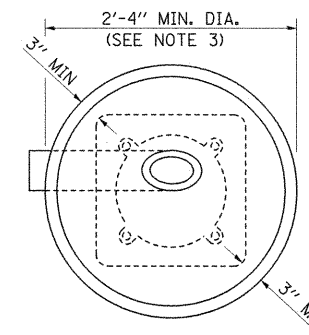


STEEL POLE FOUNDATION

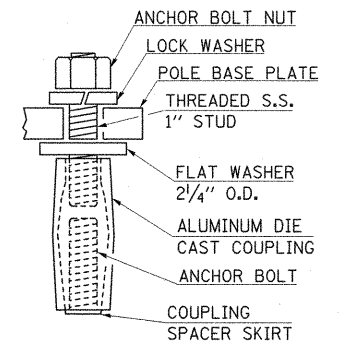


PLACE DOOR ON WIREWAY
SIDE. WIREWAY MAY BE
ON FRONT, BACK, OR SIDE
OF FOUNDATION AS REQUIRED
BY THE TRENCHING WHICH
SHOULD PERMIT UNIT DUCT
TO HAVE AS FEW BENDS AS
ARE PRACTICAL.

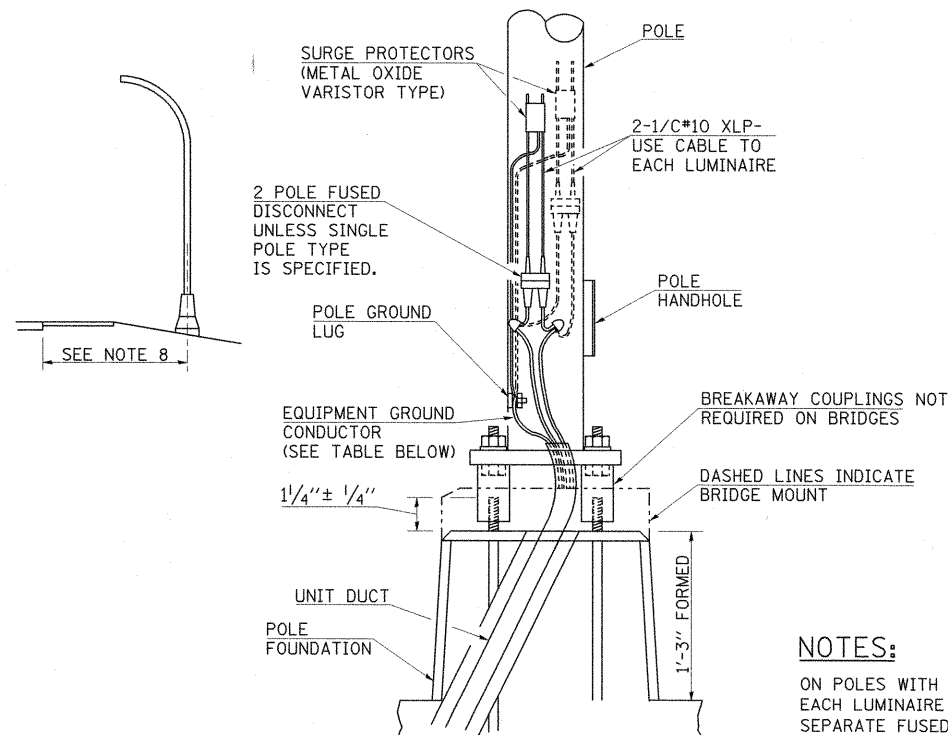
TOP OF FIBER DUCT SHALL BE
FLUSH WITH THE TIP OF FOUNDATION
FOR DRAINAGE. 5" I.D.
TYPE I FIBER OR POLY-STYRENE
DUCT WIRING WINDOW.



ALT. FOUNDATION



TYP. COUPLING



EQUIPMENT GROUND TABLE	
BREAKER SIZE	CONDUCTOR SIZE
30 AMP.	#10 COPPER
40 AMP.	#10 COPPER
60 AMP.	#10 COPPER
100 AMP.	#8 COPPER

NOTES:

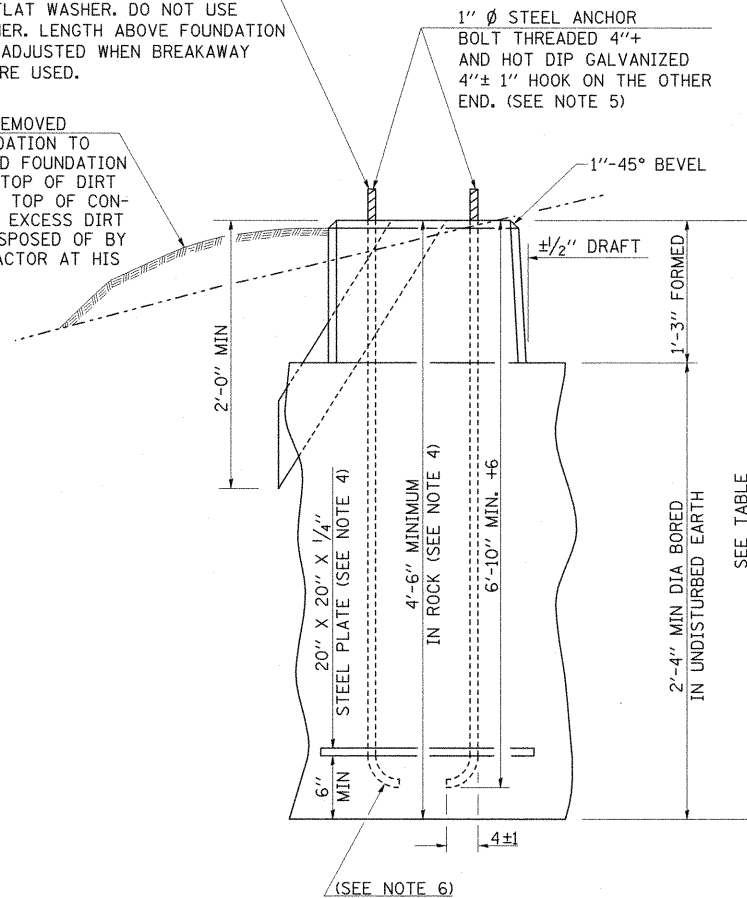
ON POLES WITH TWO LUMINAIRES,
EACH LUMINAIRE SHALL HAVE A
SEPARATE FUSED DISCONNECT.

INSTALLATION INSTRUCTIONS:

SCREW COUPLINGS ON TO ANCHOR
BOLTS TO END OF THREADS, LEVEL
COUPLINGS, VERY IMPORTANT, AS
COUPLINGS WILL BECOME OVER-
STRESSED AND EITHER CRACK
OR STRIP THREADS INSIDE COUPLING.

ANCHOR BOLT SHALL EXTEND THROUGH
NUT 3/8" TO 1". USE SELF-LOCKING
NUT AND FLAT WASHER. DO NOT USE
LOCK-WASHER. LENGTH ABOVE FOUNDATION
SHALL BE ADJUSTED WHEN BREAKAWAY
DEVICES ARE USED.

USE DIRT REMOVED
FROM FOUNDATION TO
FILL AROUND FOUNDATION
TOP. MAKE TOP OF DIRT
LEVEL WITH TOP OF CON-
CRETE. ANY EXCESS DIRT
WILL BE DISPOSED OF BY
THE CONTRACTOR AT HIS
EXPENSE.



METAL OR CONCRETE

GENERAL NOTES

- AFTER POURING CONCRETE, THE FORM SHALL REMAIN UNDISTURBED OVERNIGHT.
- THE TOP 15" ONLY SHALL BE FORMED. CONCRETE BOUNDED BY UNDISTURBED EARTH ONLY SHALL FILL THE REMAINDER OF THE HOLE.
- MINIMUM CLEARANCE FROM THE OUTSIDE EDGE OF FOUNDATION TO ANY PART OF THE POLE BASEPLATE SHALL BE 3".
- THE DEPTH OF THE FOUNDATION MAY BE REDUCED 6" FOR EVERY 12" OF ROCK ENCOUNTERED WITH A MINIMUM DEPTH OF 4'-6". WHEN THE DEPTH OF THE FOUNDATION IS DECREASED TO LESS THAN 6' THE ANCHOR BOLTS SHALL BE CUT, THREADED, AND A STEEL PLATE 20" X 20" X 1/4" SHALL BE INSTALLED ON THE ANCHOR BOLTS 6" ABOVE THE BOTTOM OF THE EXCAVATION. THE COST SHALL BE INCIDENTAL TO THE FOUNDATION.
- ON PARAPET WALLS USE 1 1/4" diameter ANCHOR BOLTS. USE SELF-LOCKING NUT AND FLAT WASHER. DO NOT USE LOCKWASHER. (FOR DETAILS SEE STANDARD III/2.35 OF BRIDGE DESIGN MANUAL.
- BEND RADIUS SHALL BE FOUR TIMES BOLT DIAMETER.
- CONNECT GROUND WIRES TO POLE BASE GROUND LUG, NOT ANCHOR BOLTS OR TRANSFORMER BASE.
- LOW MOUNT POLE FOUNDATION SETBACK:
FOR HORIZONTAL MOUNTED LUMINAIRES,
SETBACK SHALL BE A MINIMUM OF 20' FROM
EDGE OF PAVEMENT.

FOR VERTICAL MOUNT LUMINAIRES,
SETBACK SHALL BE A MINIMUM OF 30' FROM
EDGE OF PAVEMENT. POLES SHALL BE LOCATED
5' BEHIND GUARDRAIL OR OTHER PROTECTIVE
BARRIERS, OR AS DIRECTED BY THE ENGINEER.

REVISIONS	
DRAWN	2-9-01
REVISED	5-13-02
REVISED	01-16-07
RESIZED	05-6-08

STD. 9-114