

STATE OF ILLINOIS
DEPARTMENT OF TRANSPORTATION

F.A.P. RTE.	SECTION	COUNTY	TOTAL SHEETS	SHEET NO.
320	(134) I-4	LOGAN	7	1
ILLINOIS			CONTRACT NO. 72K11	

FOR INDEX OF SHEETS, SEE SHEET NO. 2

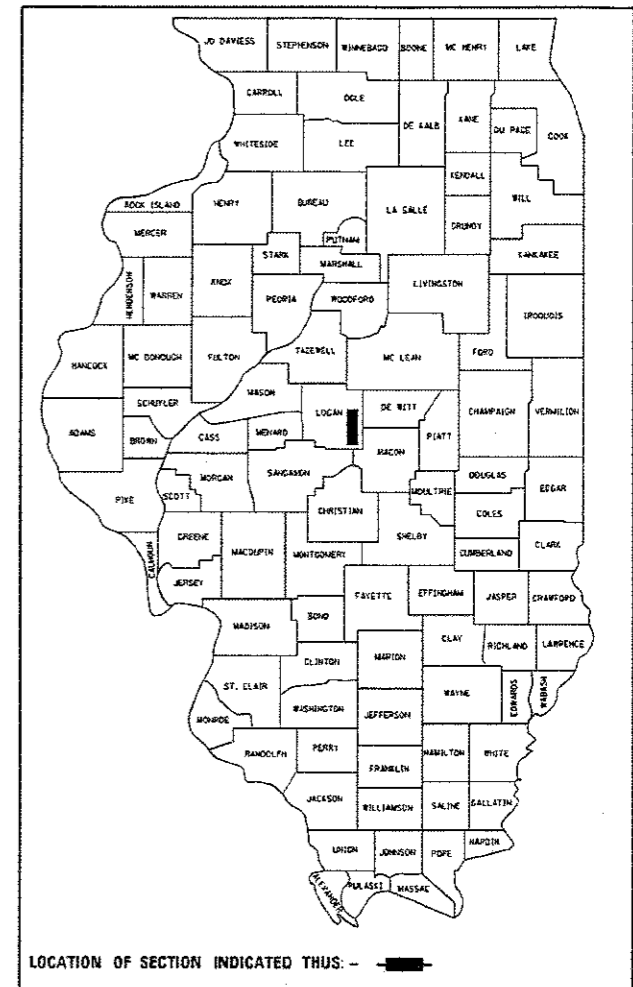
PROPOSED IMPROVEMENTS

FAP 320 (IL 121)
(134) I-4
FIELD TILE REPLACEMENT

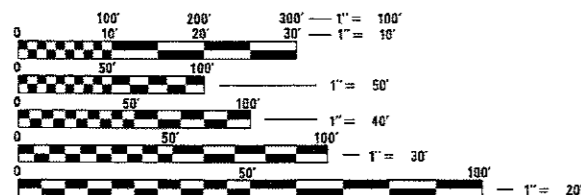
LOGAN CO

C-96-075-17

D-96-075-17

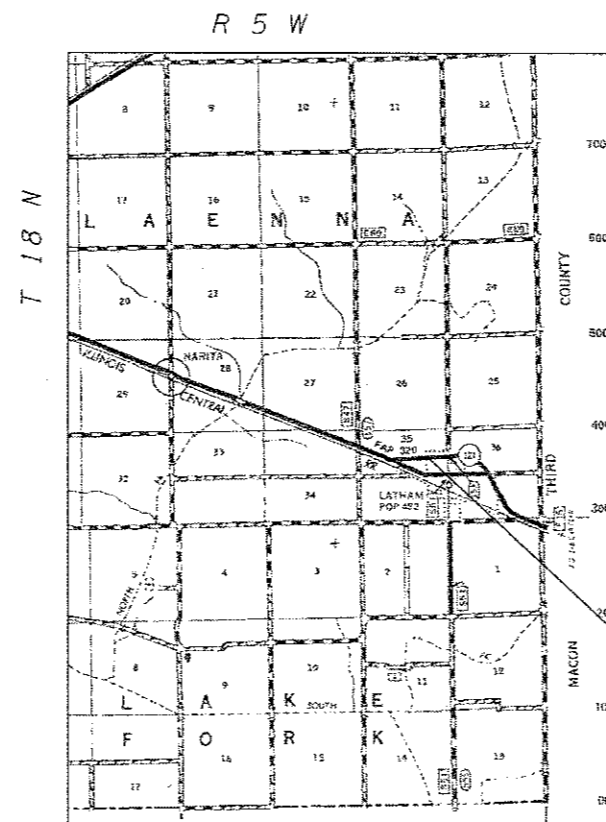


ADT = 1,650
SU = 150
MU = 350



FULL SIZE PLANS HAVE BEEN PREPARED USING STANDARD ENGINEERING SCALES. REDUCED SIZED PLANS WILL NOT CONFORM TO STANDARD SCALES. IN MAKING MEASUREMENTS ON REDUCED PLANS, THE ABOVE SCALES MAY BE USED.

J.U.L.I.E.
JOINT UTILITY LOCATION INFORMATION FOR EXCAVATION
1-800-892-0123
OR 811



PROJECT LOCATION
STA. 360+56.15

STATE OF ILLINOIS
DEPARTMENT OF TRANSPORTATION

SUBMITTED 28 December 2017
[Signature]
REGION FOUR ENGINEER

Feb 2 2018
[Signature]
ENGINEER OF DESIGN AND ENVIRONMENT

Feb 2 2018
[Signature]
DIRECTOR OF HIGHWAYS, CHIEF ENGINEER 2

PRINTED BY THE AUTHORITY
OF THE STATE OF ILLINOIS

PROJECT ENGINEER : MIKE IRWIN - (217)524-7765
PROJECT MANAGER : TIM SHARP - (217)524-9160

CONTRACT NO. 72K11

INDEX OF SHEETS

SHEET NO.	DESCRIPTION
1.	COVER SHEET
2.	INDEX OF SHEETS, STANDARDS, GENERAL NOTES & SIGNATURE
3.	SUMMARY OF QUANTITIES
4.	PROJECT LOCATION MAP
5.	PROJECT PLAN
6.	PROJECT TYPICAL SECTIONS
7.	PROJECT DETAILS

STANDARDS

STANDARD NO.	DESCRIPTION
602301-04	INLET - TYPE A
604036-03	GRATE TYPE 8 GRATE
701201-04	LANE CLOSURE, 2L, 2W, DAY ONLY, FOR SPEEDS > 45 MPH
701901-07	TRAFFIC CONTROL DEVICES
780001-05	TYPICAL PAVEMENT MARKINGS

STATE OF ILLINOIS DEPARTMENT OF TRANSPORTATION DIVISION OF HIGHWAYS DISTRICT 6	
EXAMINED <u>Dec 11th</u> 20 <u>17</u>	<u>[Signature]</u> ENGINEER OF OPERATIONS
EXAMINED <u>Dec 14th</u> 20 <u>17</u>	<u>[Signature]</u> ENGINEER OF PROJECT IMPLEMENTATION
EXAMINED <u>December 14</u> 20 <u>17</u>	<u>[Signature]</u> ENGINEER OF PROGRAM DEVELOPMENT

				0-01624-6001
				100% STATE
				LOGAN
				ROADWAY
				0043
				RURAL
CODE NO.	ITEM	UNIT	TOTAL QUANTITY	
67100100	MOBILIZATION	L.SUM	1	1
60108500	PIPE UNDERDRAINS 12" (SPECIAL)	FOOT	218	218
60236200	INLETS, TYPE A, TYPE 8 GRATE	EACH	1	1
60500060	REMOVE INLETS	EACH	2	2
61133200	FIELD TILE JUNCTION VAULTS, 3 DIA.	EACH	2	2
70100450	TRAFFIC CONTROL AND PROTECTION, STANDARD 701201	L.SUM	1	1
X0324079	EXISTING FIELD TILE REMOVAL	FOOT	60	60
X6012005	PIPE DRAINS 12" (SPECIAL)	FOOT	110	110
X6024240	INLETS, SPECIAL	EACH	3	3

9



PROJECT LOCATION
STA. 360+56.15



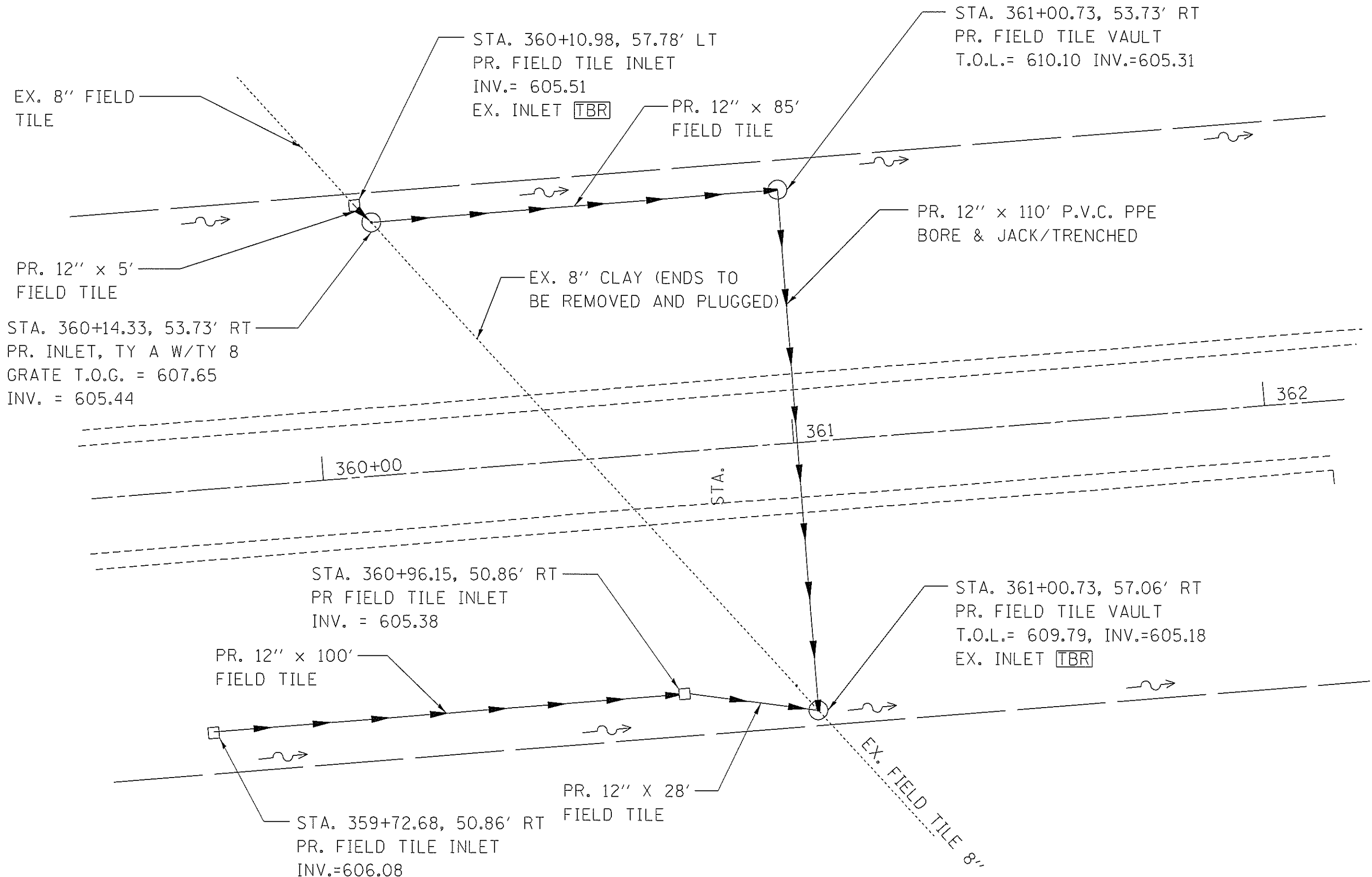
FILE NAME *	USER NAME * sharpst	DESIGNED - _____	REVISED - _____
S:\CONTR\MAINT_CAD\72K11 - FAP 320 ILL 12	Latham Field tile - Logan Co\PLANS\72K11-sharpst	_____	_____
	PLOT SCALE = 48,0000 ' / in.	CHECKED - _____	REVISED - _____
Default	PLOT DATE = 12/6/2017	DATE - _____	REVISED - _____

**STATE OF ILLINOIS
DEPARTMENT OF TRANSPORTATION**

LOCATION MAP

SCALE: _____ SHEET _____ OF _____ SHEETS STA. _____ TO STA. _____

F.A.P. RTE.	SECTION	COUNTY	TOTAL SHEETS	SHEET NO.
320	(134) I-4	LOGAN	7	4
CONTRACT NO. 72K11			ILLINOIS FED. AID PROJECT	



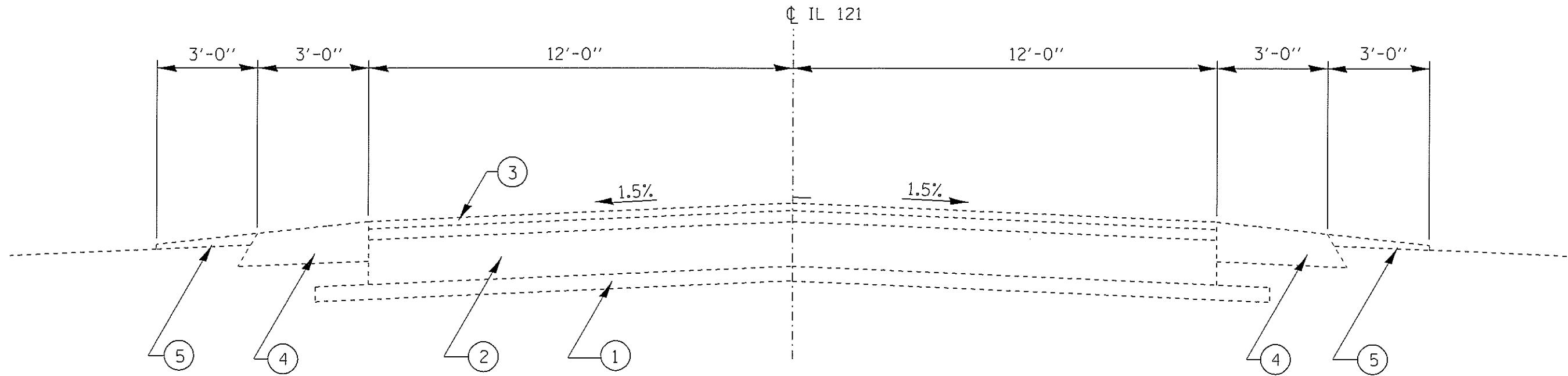
FILE NAME =	USER NAME = sharp1d	DESIGNED - _____	REVISED - _____
S:\CONTRMINT_CAD\72K11 - FAP 320 ILL 12	latham Field tile - Logan Co\PLANS\72K11-sharp	CHECKED - _____	REVISED - _____
Default	PLOT SCALE = 20.0000' / in.	DATE - _____	REVISED - _____
	PLOT DATE = 12/6/2017		

**STATE OF ILLINOIS
DEPARTMENT OF TRANSPORTATION**

LOCATION MAP

SCALE: _____ SHEET _____ OF _____ SHEETS STA. _____ TO STA. _____

F.A.P. RTE.	SECTION	COUNTY	TOTAL SHEETS	SHEET NO.
320	(134) I-4	LOGAN	7	5
CONTRACT NO. 72K11				
ILLINOIS FED. AID PROJECT				



TYPICAL SECTION

STA. 361+00.73

LEGEND

- ① EXIST. SUB-BASE GRANULAR MATERIAL
- ② EXIST. PCC BASE COURSE (9")
- ③ EXIST. HOT-MIX ASPHALT SURFACE
- ④ EXIST. HOT-MIX ASPHALT SHOULDERS, 8"
- ⑤ EXIST. AGGREGATE SHOULDER (TYPE B)

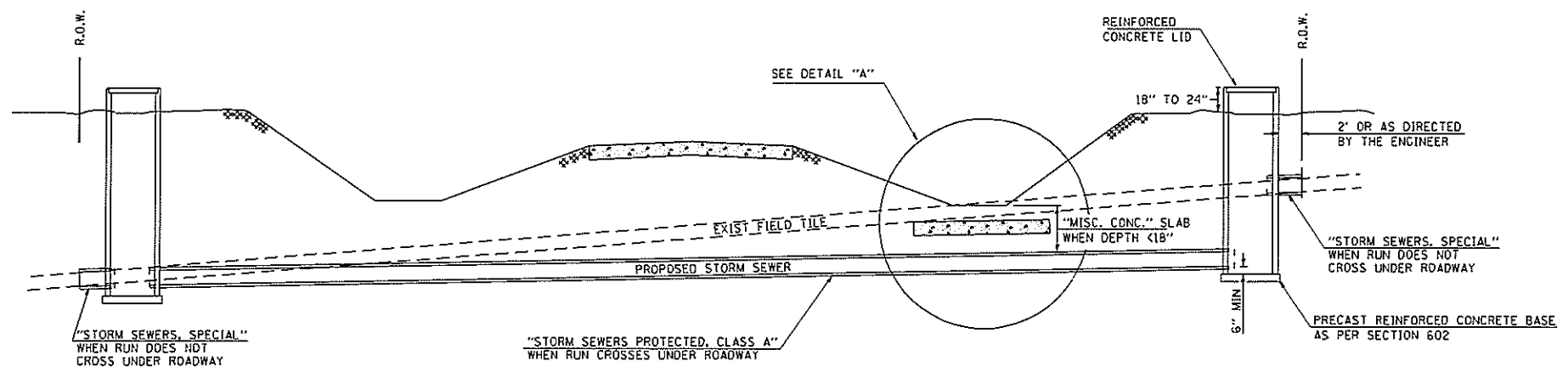
FILE NAME =	USER NAME = sharptd	DESIGNED -	REVISED -
S:\CONTRACTMAINT\CAD\72K11 - FAP 320 IL 121	letham field file - Logan Co\PLANS\72K11-sharptd	BRAW\letham	REVISED -
Default	PLOT SCALE = 3.0000' / in.	CHECKED -	REVISED -
	PLOT DATE = 12/5/2017	DATE -	REVISED -

STATE OF ILLINOIS
DEPARTMENT OF TRANSPORTATION

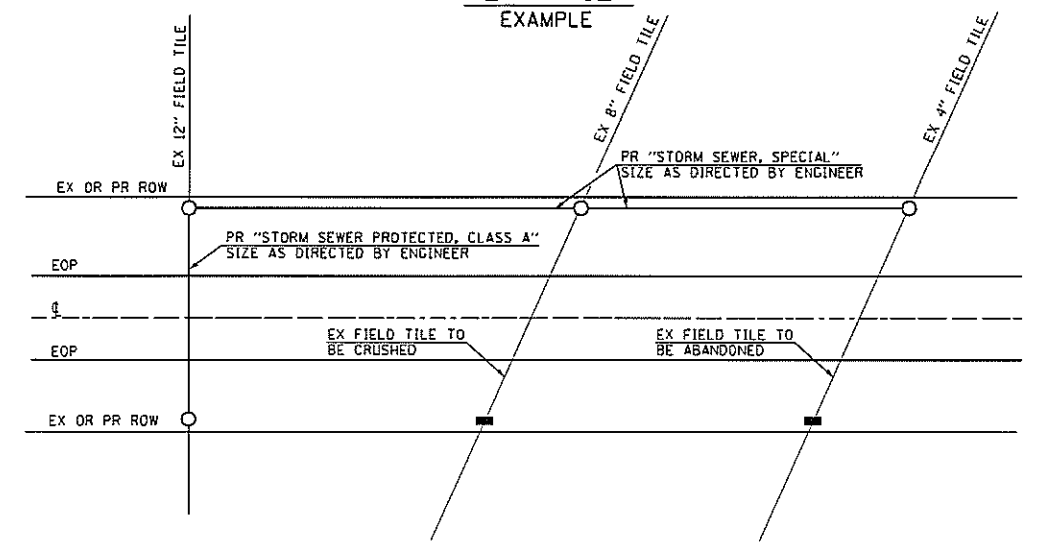
TYPICALS

SCALE: SHEET OF SHEETS STA. TO STA.

F.A.S. RTE.	SECTION	COUNTY	TOTAL SHEETS	SHEET NO.
*	(112) RS-2, PP	MONTGOMERY	7	6
CONTRACT NO. 72K11			ILLINOIS FED. AID PROJECT	



PLAN VIEW
EXAMPLE

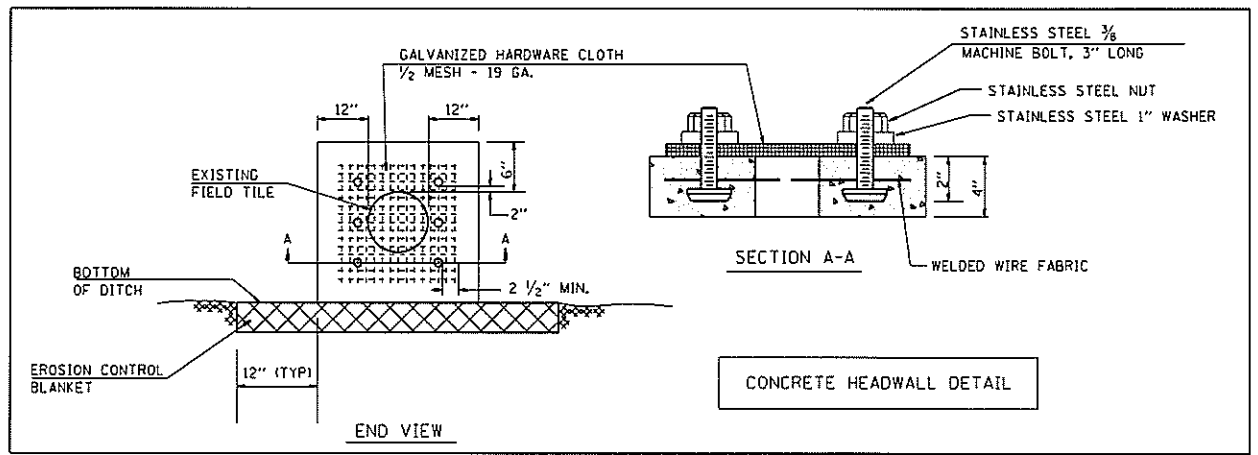
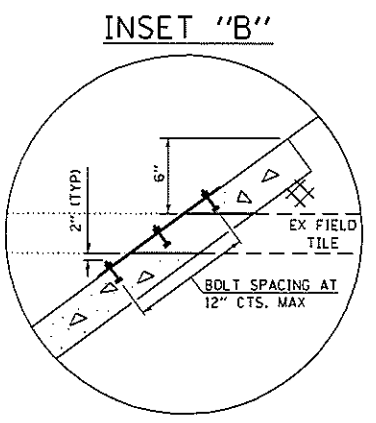
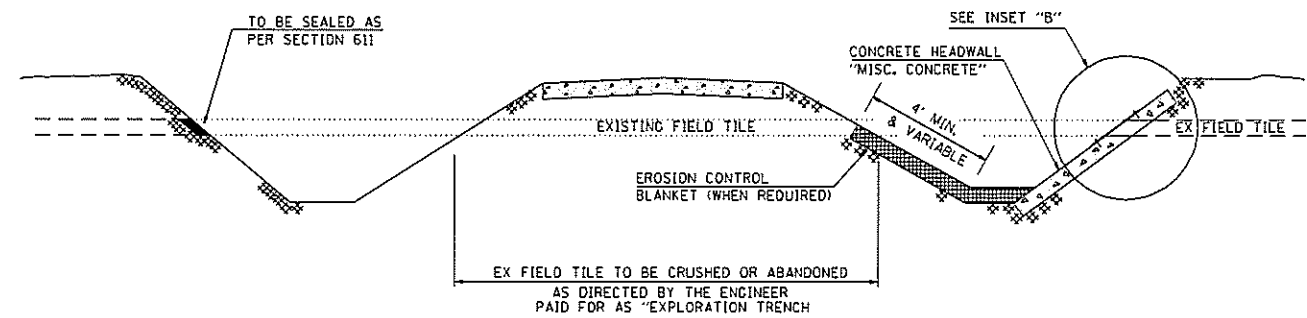
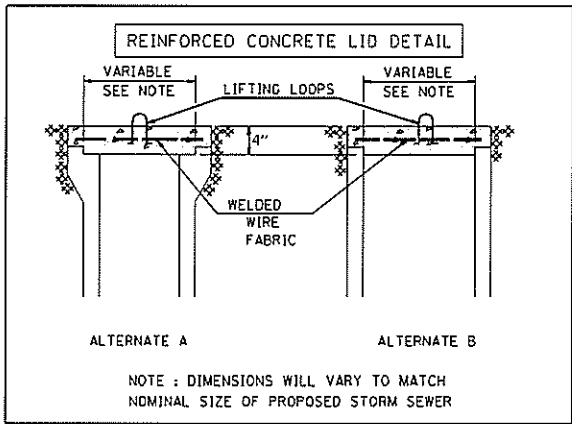
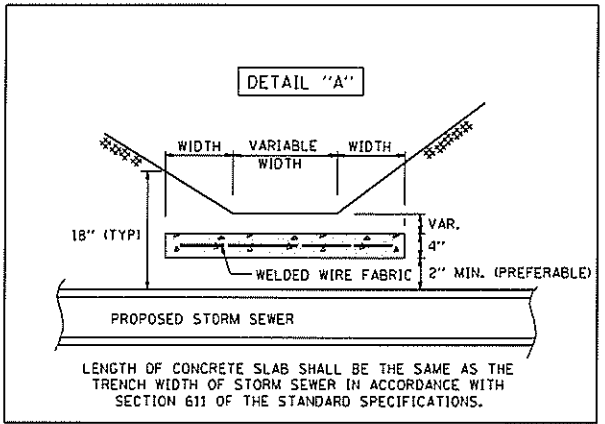


- PR "FIELD TILE JUNCTION VAULT" SIZE AS DIRECTED BY ENGINEER
- EX FIELD TILE END TO BE SEALED AS PER SECTION 611.

GENERAL NOTES

1. FIELD TILE SHALL BE REPLACED IN ACCORDANCE WITH SECTION 611 OF THE STANDARD SPECIFICATIONS. THE COST PER CONTRACT UNIT PRICE OF ITEMS INCLUDED IN THIS CONTRACT SHALL BE PAID FOR AS STATED IN SECTION 611 OF THE STANDARD SPECIFICATIONS. IF THE CONTRACT UNIT PRICE IS NOT INCLUDED IN THIS CONTRACT, PAYMENT FOR THIS WORK WILL BE IN ACCORDANCE WITH ARTICLE 109.04 OF THE STANDARD SPECIFICATIONS.
2. THE DIAMETER OF THE PROPOSED STORM SEWER SHALL BE EQUAL TO OR GREATER THAN THE EXISTING FIELD TILE.
3. THE REINFORCED CONCRETE LID SHALL BE CLASS SI CONCRETE (MISCELLANEOUS) OR PRECAST REINFORCED CONCRETE.
4. FIELD TILES LESS THAN 7" DIAMETER INTERCEPTED BY THE BACKSLOPE SHALL BE CRUSHED AND REMAIN IN PLACE UNDER THE ROADBED. INTERCEPTED FIELD TILES 7" OR LARGER IN DIAMETER SHALL BE REMOVED AND BACKFILLED IN ACCORDANCE WITH ARTICLE 611.03.
5. FOR DIAMETERS LESS THAN 12" OF "STORM SEWERS PROTECTED, CLASS A", MATERIALS OTHER THAN CONCRETE MAY BE APPROVED WITH APPROVAL BY THE ENGINEER. WHEN USING FLEXIBLE PIPE AS LISTED IN THE FIRST TABLE OF ARTICLE 550.03, THE TRENCH SHALL BE BACKFILLED ACCORDING TO ARTICLE 550.01. ALL "BELLED" PIPE WILL REQUIRE AT LEAST 4" OF AGGREGATE BELOW THE PIPE COVERING THE FULL WIDTH OF THE TRENCH.

ALL DIMENSIONS ARE IN INCHES UNLESS OTHERWISE SHOWN.



FILE NAME = S:\CONTRACTS\CA0\72K11 - FAP 320 (IL 12) \Jathan field tile - Logan Co\PLANS\72K11-sh-DRAWN11.s.dgn	USER NAME = sharptd	DESIGNED -	REVISED -	STATE OF ILLINOIS DEPARTMENT OF TRANSPORTATION	MISCELLANEOUS CONSTRUCTION DETAILS- FIELD TILE & PIPE TEE PLUG	F.A.S. RTE.	SECTION	COUNTY	TOTAL SHEETS	SHEET NO.	
PLOT SCALE = 1/32,0000 - / in.	CHECKED -	REVISED -	REVISED -			•	(112) RS-2, PP	MONTGOMERY	7	7	
PLDT DATE = 12/6/2017	DATE -	REVISED -	REVISED -			CONTRACT NO. 72K11					
Default						SCALE:	SHEET	OF	SHEETS	STA.	TO