

STATE OF ILLINOIS  
DEPARTMENT OF TRANSPORTATION

F.A.S. RTE.	SECTION	COUNTY	TOTAL SHEETS	SHEET NO.
*	**	LOGAN	6	1
ILLINOIS CONTRACT NO. 72K23				
* I 55 E & W FR RD ** (23)Q-4,(24)Q & ELKHART FT RDS				

D-96-008-18



**PROPOSED IMPROVEMENTS**

VARIOUS ROUTES (I 55 E & W FR RD)  
(23)Q-4,(24)Q & ELKHART FT RDS  
BITUMINOUS SURFACE TREATMENT

LOGAN CO

C-96-015-18

FOR INDEX OF SHEETS, SEE SHEET NO. 2

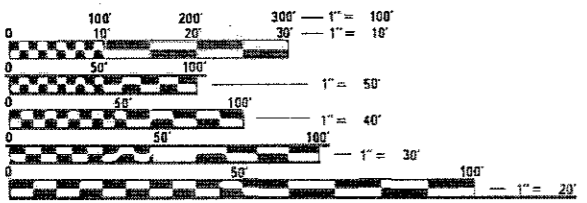
FAS 1771  
ADT=1,150  
SU=40  
MU=250

FAS 566  
ADT=1,350  
SU=70  
MU=20

FAS 1771A  
ADT=650  
SU=90  
MU=50

OR 5 F 2.04  
ADT=25  
SU=0  
MU=0

OR 5 F 3.53  
ADT=650  
SU=0  
MU=0

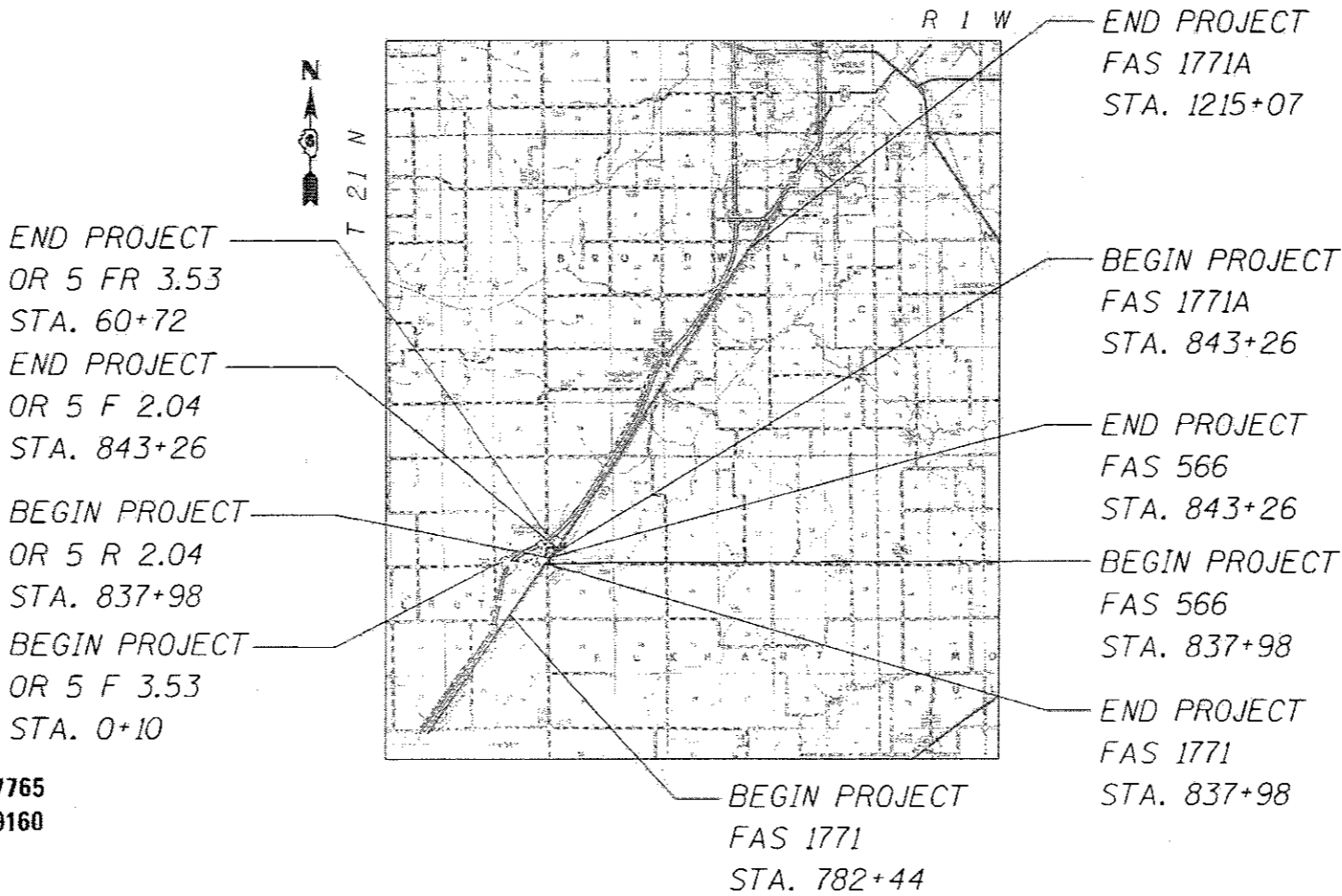


FULL SIZE PLANS HAVE BEEN PREPARED USING STANDARD ENGINEERING SCALES. REDUCED SIZED PLANS WILL NOT CONFORM TO STANDARD SCALES. IN MAKING MEASUREMENTS ON REDUCED PLANS, THE ABOVE SCALES MAY BE USED.

J.U.L.I.E.  
JOINT UTILITY LOCATION INFORMATION FOR EXCAVATION  
1-800-892-0123  
OR 811

PROJECT ENGINEER : MIKE IRWIN - (217)524-7765  
PROJECT MANAGER : TIM SHARP - (217)524-9160

CONTRACT NO. 72K23



STATE OF ILLINOIS  
DEPARTMENT OF TRANSPORTATION

SUBMITTED 19 December 2017

*[Signature]*  
REGION FOUR ENGINEER

Feb 2 2018  
*[Signature]*  
ENGINEER OF DESIGN AND ENVIRONMENT

Feb 2 2018  
*[Signature]*  
DIRECTOR OF HIGHWAYS, CHIEF ENGINEER

PRINTED BY THE AUTHORITY  
OF THE STATE OF ILLINOIS

INDEX OF SHEETS

SHEET NO.	DESCRIPTION
1.	COVER SHEET
2.	INDEX OF SHEETS, STANDARDS, GENERAL NOTES & SIGNATURE
3.	SUMMARY OF QUANTITIES
4.	PROJECT LOCATION MAP
5-6.	PROJECT TYPICAL SECTIONS

STANDARDS

STANDARD NO.	DESCRIPTION
701001-02	OFF-ROAD OPERATIONS, 2L, 2W, MORE THAN 15' (4.5m) AWAY
701006-05	OFF-ROAD OPERATIONS, 2L, 2W, 15' (4.5m) TO 24" (600mm) FROM EDGE OF PAVMENT
701201-04	LANE CLOSURE, 2L, 2W, DAY ONLY, FOR SPEEDS > 45 MPH
701301-04	LANE CLOSURE, 2L, 2W, SHORT TERM OPERATIONS-
701306-04	LANE CLOSURE, 2L, 2W, SLOW MOVING OPERATIONS DAY ONLY, FOR SPEEDS > 45 MPH
701311-03	LANE CLOSURE, 2L, 2W, MOVING OPERATIONS, DAY ONLY
701501-06	URBAN LANE CLOSURE, 2L, 2W, UNDIVIDED
701901-07	TRAFFIC CONTROL DEVICES

NOTES:

COVER AND SEAL COAT AGGREGATE SHALL BE CRUSHED LIMESTONE

D-6 OPERATIONS WILL PLACE PERMANENT PAVEMENT MARKINGS

UP TO 3 SWEEPINGS MAY BE REQUIRED BY A ROTARY TYPE BROOM TO REMOVE EXCESS AGGREGATE.

CONTRACTOR SHALL PLACE AGGREGATE SHOULDERS, TYP B. PRIOR TO BITUMINOIUS SURFACE TREATMENTS A1 & A2.

<b>STATE OF ILLINOIS DEPARTMENT OF TRANSPORTATION DIVISION OF HIGHWAYS DISTRICT 6</b>	
EXAMINED	Dec 15 <sup>th</sup> 20 17
	<i>[Signature]</i> ENGINEER OF OPERATIONS
EXAMINED	Dec 8 <sup>th</sup> 20 17
	<i>[Signature]</i> ENGINEER OF PROJECT IMPLEMENTATION
EXAMINED	December 12 20 17
	<i>[Signature]</i> ENGINEER OF PROGRAM DEVELOPMENT

•1 55 E & W FR RD •• (23)Q-4.(24)D & ELKHART FT RDS

FILE NAME =	USER NAME = sharptd	DESIGNED -	REVISED -	<b>STATE OF ILLINOIS DEPARTMENT OF TRANSPORTATION</b>	<b>INDEX OF SHEETS, STANDARDS GENERAL NOTES, SIGNATURES</b>	F.A.S. RTE.	SECTION	COUNTY	TOTAL SHEETS	SHEET NO.	
S:\CONTRMAINT.CAD\72K23 - 155 E & W FR	Logan & Sangamon Co - A-1 & A-2\PLANS\2017\11-2-gennote.DWG	CHECKED -	REVISED -			*	**	LOGAN	6	2	
Default	PLOT SCALE = 40.0000' / in.	DATE -	REVISED -			ILLINOIS FED. AID PROJECT					
	PLOT DATE = 12/19/2017	DATE -	REVISED -			SCALE: _____	SHEET _____ OF _____ SHEETS	STA. _____ TO STA. _____			

SEQ 1

SEQ 2

CODE NO.	ITEM	UNIT	TOTAL QUANTITY	FAS 1771	FAS 566	FAS 1771A	OR 5 F 2.04	OR 5 F 3.53
				0-01624-6013	0-01624-6013	0-01624-6013	0-01624-6014	0-01624-6014
				100% STATE	100% STATE	100% STATE	100% STATE	100% STATE
				LOGAN	LOGAN	LOGAN	LOGAN	LOGAN
VARIOUS ROUTES				ROADWAY	ROADWAY	ROADWAY	ROADWAY	ROADWAY
				0005	0005	0005	0005	0005
				RURAL	RURAL	RURAL	RURAL	RURAL
40300400	BITUMINOUS MATERIALS (COVER AND SEAL COAT)	TON	271	46	3	169	11	42
40300500	COVER COAT AGGREGATE	TON	213	0	0	0	44	169
40300600	SEAL COAT AGGREGATE	TON	1,318	139	15	993	36	135
40600400	MIXTURE FOR CRACKS, JOINTS AND FLANGEWAYS	TON	17.0	5	0.5	10	0.5	1
48101200	AGGREGATE SHOULDERS, TYPE B	TON	4,085	422	108	2,826	268	461
67100100	MOBLIZATION	L SUM	1	0.3	0.025	0.6	0.05	0.025
70100450	TRAFFIC CONTROL AND PROTECTION, STANDARD 701201	L SUM	1	0.3	0.025	0.6	0.05	0.025
70100460	TRAFFIC CONTROL AND PROTECTION, STANDARD 701306	L SUM	1	0.3	0.025	0.6	0.05	0.025
70102620	TRAFFIC CONTROL AND PROTECTION, STANDARD 701501	L SUM	1	0.35	0.03	0.55	0.07	0

APPLICATION RATES		
	AGGREGATE	BITUMINOUS MATERIAL
COVER COAT	25 lb/sq yd	0.32 gal/sq yd
SEAL COAT	20 lb/sq yd	0.40 gal/sq yd

THE APPLICATION RATES SHOWN ABOVE MAY BE ADJUSTED BY THE ENGINEER BASED ON FIELD CONDITIONS



END PROJECT  
OR 5 F 3.53  
STA 60+72

END PROJECT  
OR 5 F 2.04  
STA 843+26

BEGIN PROJECT  
OR 5 F 2.04  
STA 837+98

BEGIN PROJECT  
OR 5 F 3.53  
STA 0+10

BEGIN PROJECT  
FAS 1771  
STA. 782+44

END PROJECT  
FAS 1771A  
STA. 1215+07

STA. EQ.  
3+23.64bk=1059+10.00ah

STA. EQ.  
29+47.00bk=0+00.00ah

STA. EQ.  
1049+00.00bk=36+60.39ah

BEGIN PROJECT  
FAS 1771A  
STA. 843+26

END PROJECT  
FAS 566  
STA. 843+26

BEGIN PROJECT  
I 55 566  
STA. 837+98

END PROJECT  
FAS 1771  
STA. 837+98

FILE NAME =	USER NAME = sharptd	DESIGNED -	REVISED -
S:\CONTRMINT\CAD\72K23 - I 55 E & W FR	- Logan & Sangamon Co - A-1 & A-2\PLANS\	2016\I55-4-plans.dgn	REVISED -
Default	PLOT SCALE = 40.0000' / in.	CHECKED -	REVISED -
	PLOT DATE = 12/19/2017	DATE -	REVISED -

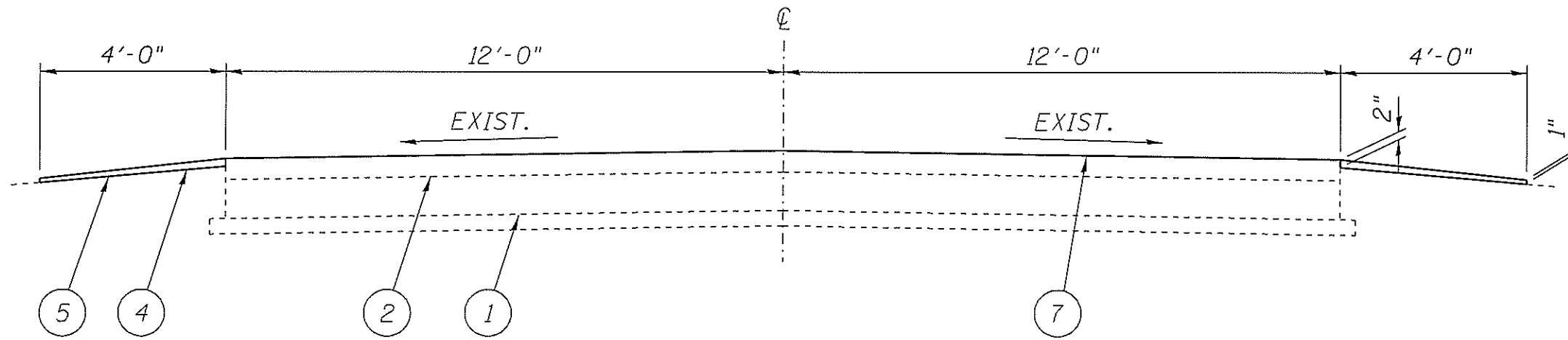
STATE OF ILLINOIS  
DEPARTMENT OF TRANSPORTATION

LOCATION MAP

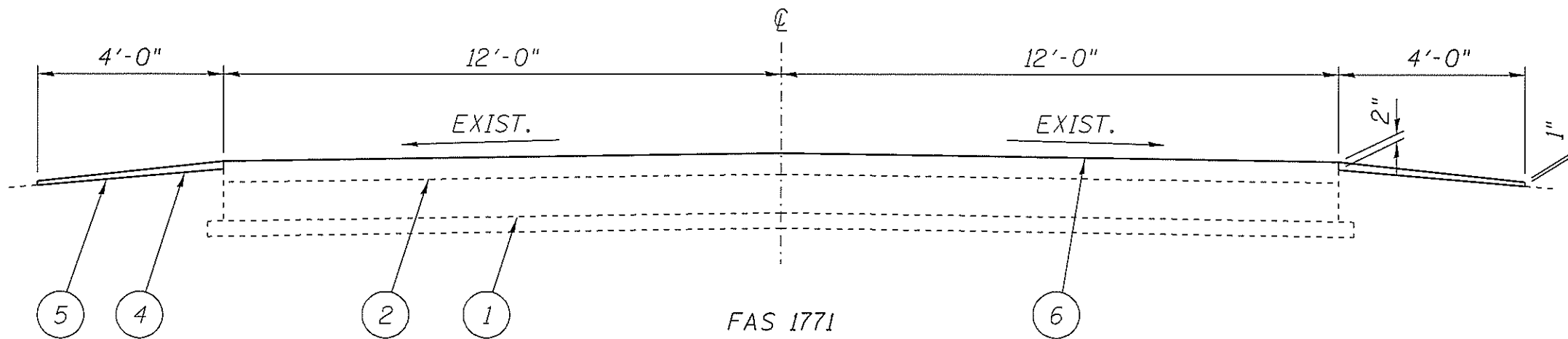
SCALE: SHEET OF SHEETS STA. TO STA.

\*I 55 E & W FR RD \*\*I23ID-4,I24ID & ELKHART FT RDS

F.A.S. RTE.	SECTION	COUNTY	TOTAL SHEETS	SHEET NO.
*	**	LOGAN	5	4
				CONTRACT NO. 72K23
[ILLINOIS] FED. AID PROJECT				



OR 5 F2.04  
 STA. 843+26.00 TO 856+46.00



FAS 1771  
 STA. 782+44.00 TO 837+98.00  
 FAS 566  
 STA. 837+98.00 TO 843+26.00  
 FAS 1771A  
 STA. 843+26.00 TO 1215+07.00

STATION EQUATIONS  
 STA. 1049+00.00bk=36+60.39ah  
 STA. 29+47.00bk=0+00.00ah  
 STA. 3+23.64bk=1059+10.00ah

**LEGEND**

- 1- EXIST. P.C.C. PAVEMENT 10"
- 2- EXIST. HOT-MIX ASPHALT SURFACE
- 3- EXIST. STABILIZED BASE
- 4- EXIST. AGGREGATE SHOULDERS
- 5- PROP. AGGREGATE SHOULDERS, TYPE B
- 6- PROP. BITUMINOUS SURFACE TREATMENT A-1
- 7- PROP. BITUMINOUS SURFACE TREATMENT A-2

FILE NAME =	USER NAME = sharptd	DESIGNED -	REVISED -
S:\CONTRACTS\CAD\72K23 - 155 E & W FR	- Logan & Sangamon Co - A-1 & A-2\PLANS\	ZDR\AWH-5-typicals.dgn	REVISED -
Default	PLOT SCALE = 3.0000' / 1"	CHECKED -	REVISED -
	PLOT DATE = 12/19/2017	DATE -	REVISED -

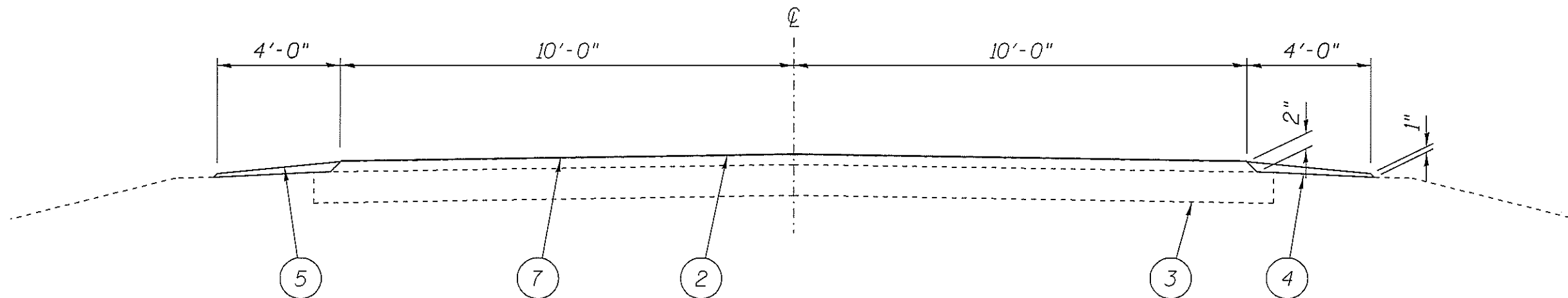
STATE OF ILLINOIS  
 DEPARTMENT OF TRANSPORTATION

TYPICALS

SCALE: SHEET OF SHEETS STA. TO STA.

\*155 E & W FR RD\*\*12310-4(24)0 & ELKHART FT RDS

F.A.S. RTE.	SECTION	COUNTY	TOTAL SHEETS	SHEET NO.
.	**	LOGAN	6	5
CONTRACT NO. 72K23			ILLINOIS FED. AID PROJECT	



OR 5 F3.53  
 STA. 0+10.00 TO 60+72.00

**LEGEND**

- 1- EXIST. P.C.C. PAVEMENT 10"
- 2- EXIST. HOT-MIX ASPHALT SURFACE
- 3- EXIST. STABILIZED BASE
- 4- EXIST. AGGREGATE SHOULDERS
- 5- PROP. AGGREGATE SHOULDERS, TYPE B
- 6- PROP. BITUMINOUS SURFACE TREATMENT A-1
- 7- PROP. BITUMINOUS SURFACE TREATMENT A-2

FILE NAME =	USER NAME = sharpid	DESIGNED -	REVISED -
S:\CONTRACTS\72K23 - 1 55 E & W FR	- Logan & Sangamon Co - A-1 & A-2\PLANS\2017\11-5-typicals.dgn	CHECKED -	REVISED -
Default	PLOT DATE = 12/19/2017	DATE -	REVISED -

**STATE OF ILLINOIS  
 DEPARTMENT OF TRANSPORTATION**

**TYPICALS**

SCALE: SHEET OF SHEETS STA. TO STA.

*1 55 E & W FR RD**12310-4,12410 & ELKHART FT RDS				
F.A.S. RTE.	SECTION	COUNTY	TOTAL SHEETS	SHEET NO.
*	**	LOGAN	6	6
			CONTRACT NO. 72K23	
ILLINOIS FED. AID PROJECT				