

STATE OF ILLINOIS
DEPARTMENT OF TRANSPORTATION

F.A.P. RTE.	SECTION	COUNTY	TOTAL SHEETS	SHEET NO.
749	D5 CM PATCHING 2018-6	EDGAR	7	1
		ILLINOIS	CONTRACT NO. 70D05	

FOR INDEX OF SHEETS, SEE SHEET NO. 2
FOR SUMMARY OF QUANTITIES, SEE SHEET NO. 3

CURRENT TRAFFIC DATA FOR FAP 749			
	LEG "A"	LEG "B"	LEG "C"
2017 ADT =	1,700	2,150	3,550
P.U. %	75.0	67.9	82.5
S.U. %	5.9	9.1	4.5
M.U. %	19.1	23.0	13.0

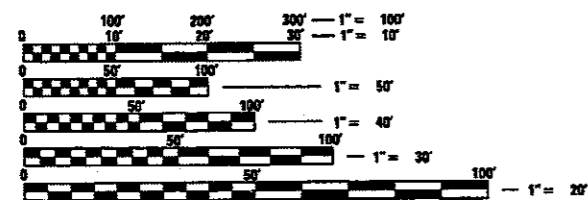
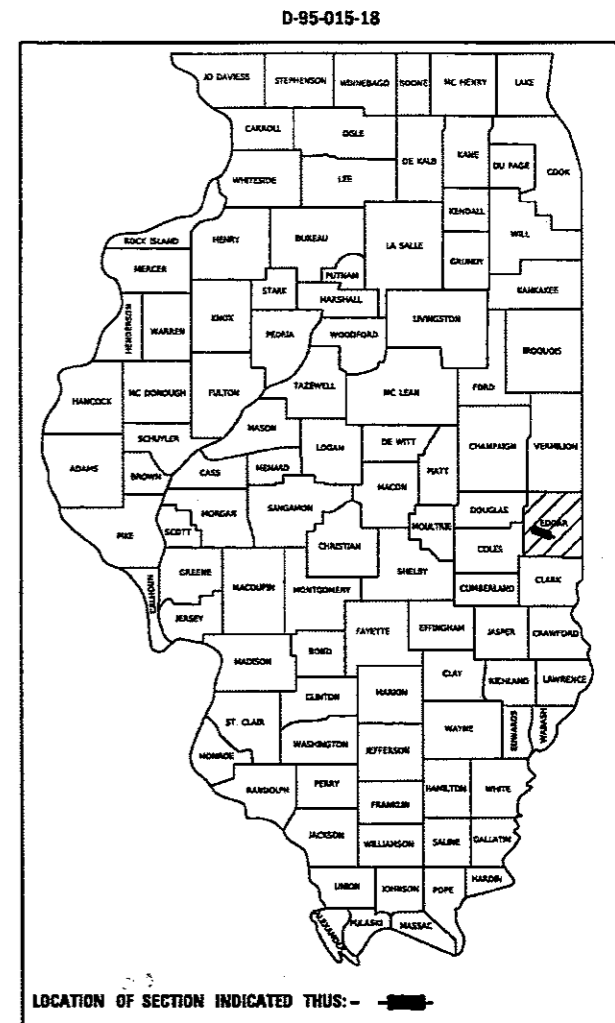
LEG "A" IS IL 133 FROM IL 49 TO 6TH ST IN REDMON.
LEG "B" IS IL 133 FROM 6TH ST IN REDMON TO STRATTON DRIVE IN PARIS.
LEG "C" IS IL 133 FROM STRATTON DR IN PARIS TO IL 16 IN PARIS.

DESIGN DESIGNATION
N/A

PROPOSED HIGHWAY PLANS

FAP ROUTE 749 (ILL 133)
SECTION D5 CM PATCHING 2018-6
PROJECT
PATCHING
EDGAR COUNTY

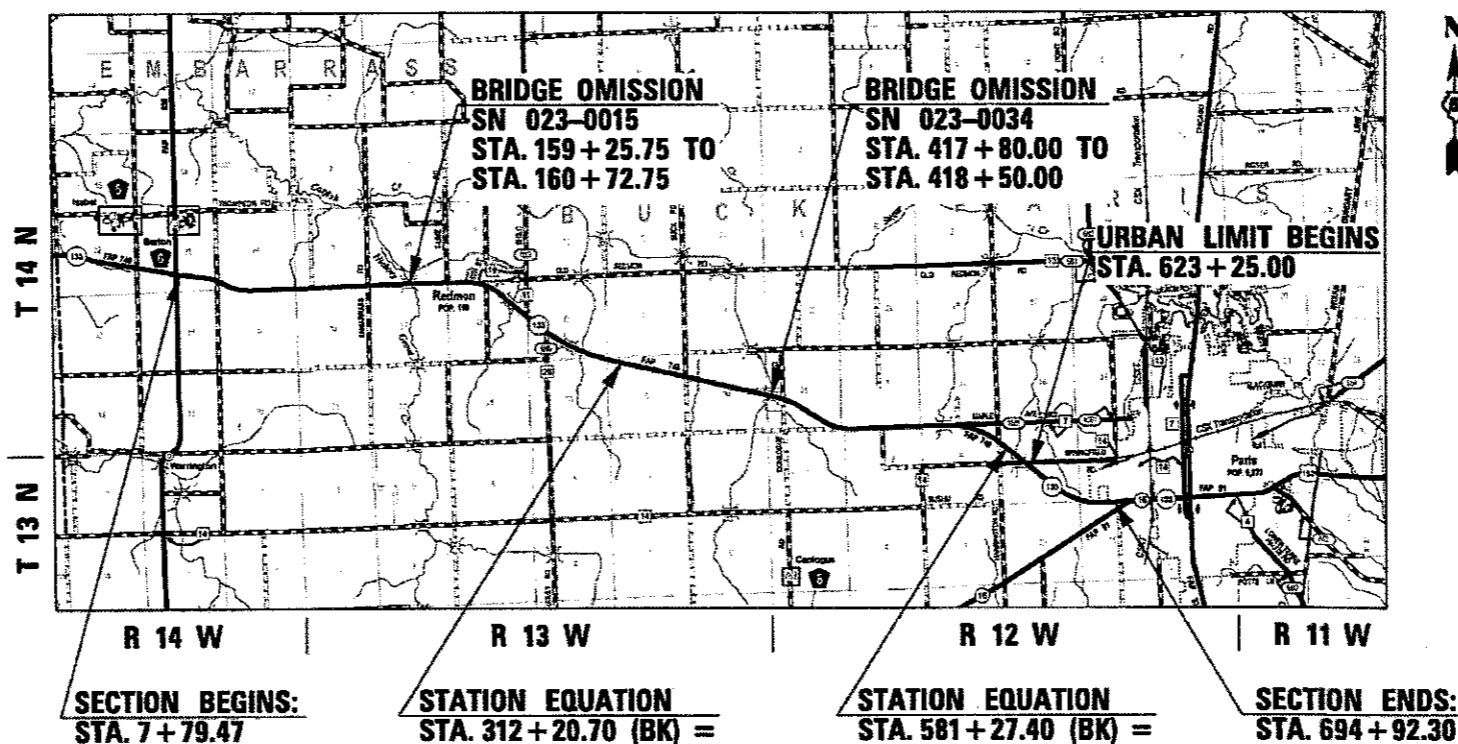
C-95-028-18
ILL 49 TO PARIS



FULL SIZE PLANS HAVE BEEN PREPARED USING STANDARD ENGINEERING SCALES. REDUCED SIZED PLANS WILL NOT CONFORM TO STANDARD SCALES. IN MAKING MEASUREMENTS ON REDUCED PLANS, THE ABOVE SCALES MAY BE USED.

J.U.L.I.E.
JOINT UTILITY LOCATION INFORMATION FOR EXCAVATION
1-800-892-0123
OR 811 EMBARRASS, BUCK, & PARIS TOWNSHIPS

PROJECT ENGINEER: NANCY FASIG
SQUAD LEADER: BRIAN J. HOGAN
DESIGNER: DEREK SNIDER
PHONE NUMBER: (217)-465-4181
CONTRACT NO. 70D05



GROSS LENGTH = 66,838.23 FT. = 12.659 MILE
NET LENGTH = 66,621.23 FT. = 12.618 MILE

STATE OF ILLINOIS
DEPARTMENT OF TRANSPORTATION

SUBMITTED December 17, 2018

Kenneth A. Savatelli
REGIONAL ENGINEER

Feb 2, 2019
ENGINEER OF DESIGN AND ENVIRONMENT

Paul P. [Signature]
DIRECTOR OF PROGRAM DEVELOPMENT 2

PRINTED BY THE AUTHORITY
OF THE STATE OF ILLINOIS

INDEX OF SHEETS

SHEET NO.	DESCRIPTION
1	COVER SHEET
2	INDEX OF SHEETS
2	GENERAL NOTES
2	LIST OF STANDARDS
3	SUMMARY OF QUANTITIES
4-6	TYPICAL SECTIONS
7	SCHEDULES OF QUANTITIES

HIGHWAY STANDARDS

STANDARD NO.	DESCRIPTION
000001 - 06	STANDARD SYMBOLS, ABBREVIATIONS, AND PATTERNS
001006	DECIMAL OF AN INCH AND OF A FOOT
442201 - 03	CLASS C AND D PATCHES
701201 - 04	LANE CLOSURE, 2L, 2W, DAY ONLY, FOR SPEEDS >45 MPH
701301 - 04	LANE CLOSURE, 2L, 2W, SHORT TIME OPERATIONS
701901-07	TRAFFIC CONTROL DEVICES

GENERAL NOTES

G.N.-100
ENGLISH UNITS OF MEASUREMENT SHALL GOVERN OVER AND SUPERSEDE ANY METRIC UNITS SHOWN IN THIS CONTRACT. WHERE INCLUDED, METRIC UNITS ARE FOR INFORMATION ONLY.

G.N.-100A
ELECTRONIC FILES AND/OR ELECTRONIC SURVEY INFORMATION INCLUDING CADD FILES WILL NOT BE AVAILABLE TO THE CONTRACTOR.

G.N.-105.09A
ALL ELEVATIONS SHOWN IN THE PLANS ARE BASED ON NORTH AMERICAN VERTICAL DATUM OF 1988. (NAVD 88)

G.N. -408H

MIXTURE REQUIREMENTS

THE FOLLOWING MIXTURE REQUIREMENTS ARE APPLICABLE FOR THIS PROJECT:

LOCATION(S):	IL 133	IL 133
MIXTURE USE(S):	Bottom Lifts of Class D Patches	Top 1 1/2" Class D Patches
AC/PG:	PG 64-22	PG 64-22
DESIGN AIR VOIDS	4.0% @ Ndes=50	4.0% @ Ndes=50
MIXTURE COMP (GRADATION)	IL 19.0	IL 9.5
FRICTION	N.A.	Mix C
AGGREGATE		
MIXTURE WEIGHT	112	112
QUALITY MANAGEMENT PROGRAM	QC/QA	QC/QA
SUBLOT SIZE	N.A.	N.A.

G.N.- 442B - PATCHING SCHEDULES
THE PATCHING SCHEDULES INCLUDED IN THE PLANS REPRESENT THE BEST INFORMATION AVAILABLE AT THE TIME OF COMPLETION OF THE PLANS FOR LETTING. VARIATIONS IN LOCATION AND SIZES OF THE FULL-DEPTH AND PARTIAL-DEPTH PATCHES MAY OCCUR.

NO COMMITMENTS

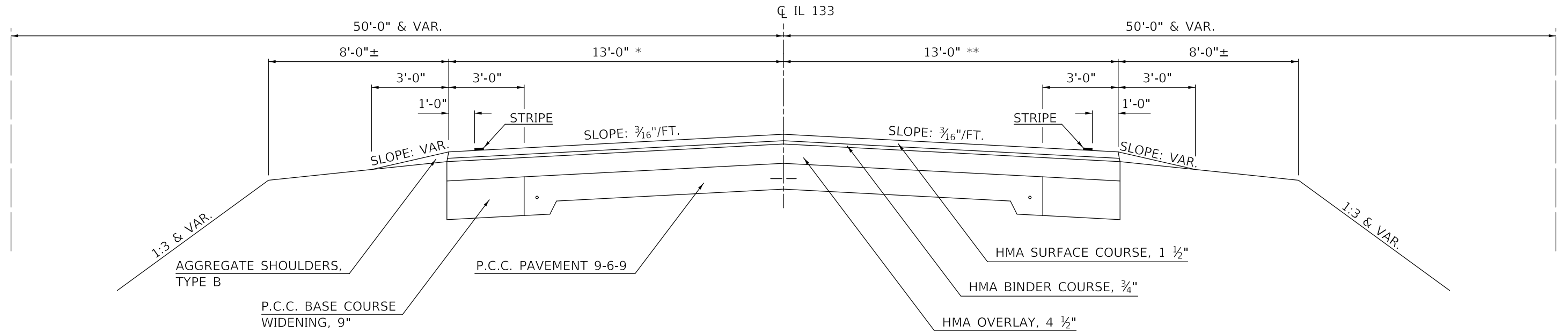
MODEL - SMD018.MAKES
FILE NAME - D:\WORK\BID\BID\ITEMS\DOT_DOCUMENTS\DOT_DOCUMENTS\DOT_DOCUMENTS\70D05-RT-GENNOTES.dgn

USER NAME = snider/r	DESIGNED -	REVISED -	STATE OF ILLINOIS DEPARTMENT OF TRANSPORTATION	INDEX OF SHEETS, LIST OF STANDARDS, AND GENERAL NOTES	F.A.P. RTE.	SECTION	COUNTY	TOTAL SHEETS	SHEET NO.
PLOT SCALE = 40.0000' / in.	DRAWN -	REVISED -			749	D5 CM PATCHING 2018-6	EDGAR	7	2
PLOT DATE = 12/4/2017	CHECKED -	REVISED -			CONTRACT NO. 70D05				
	DATE -	REVISED -			ILLINOIS FED. AID PROJECT				

① EXISTING TYPICAL CROSS SECTION

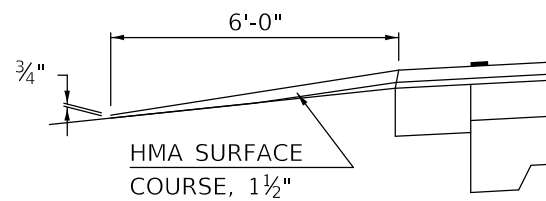
* 7+79.47 LT TO 15+39.71 LT VARIES 19' TO 13'
 ** 7+79.47 RT TO 9+90.61 RT VARIES 14' TO 13'

STATION	TO	STATION
7+79.47		159+25.75 (BRIDGE OMISSION)
160+72.75		190+64.20 ②



DETAIL OF SHOULDER

STA. 680+30± LT TO STA. 694+92.3 LT

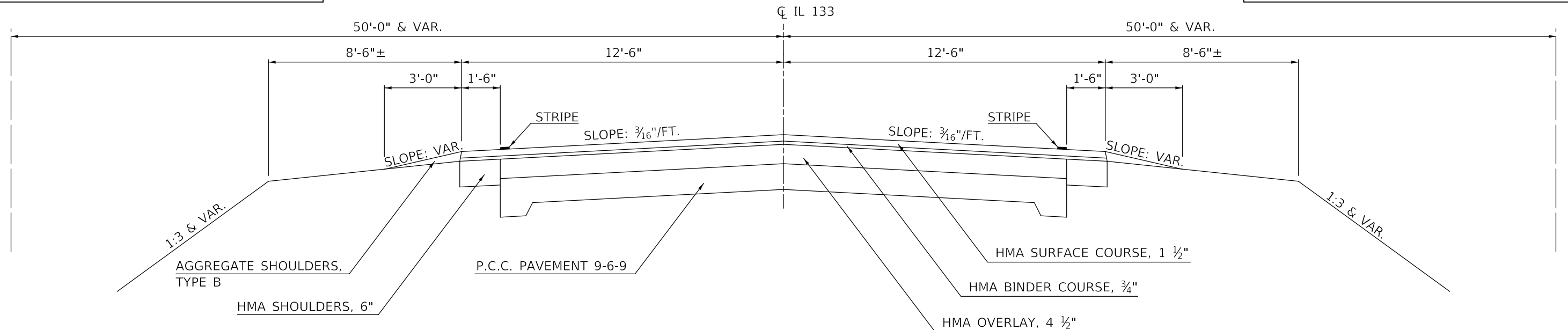
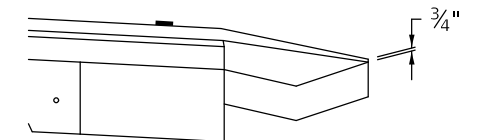


② EXISTING TYPICAL CROSS SECTION

STATION	TO	STATION
① 190+64.20		③ 244+00.00
③ 247+00.00		312+20.70 (BK)
309+71.20 (AH)		417+80.00 (BRIDGE OMISSION)
418+50.00		581+27.40 (BK)
602+51.50 (AH)		636+00.00 ④
④ 657+00.00		694+92.30

DETAIL OF GUTTER TREATMENT

LT STA. 201+59 TO STA. 205+40
 RT STA. 203+90 TO STA. 205+20



STATE OF ILLINOIS
 DEPARTMENT OF TRANSPORTATION

TYPICAL CROSS SECTIONS

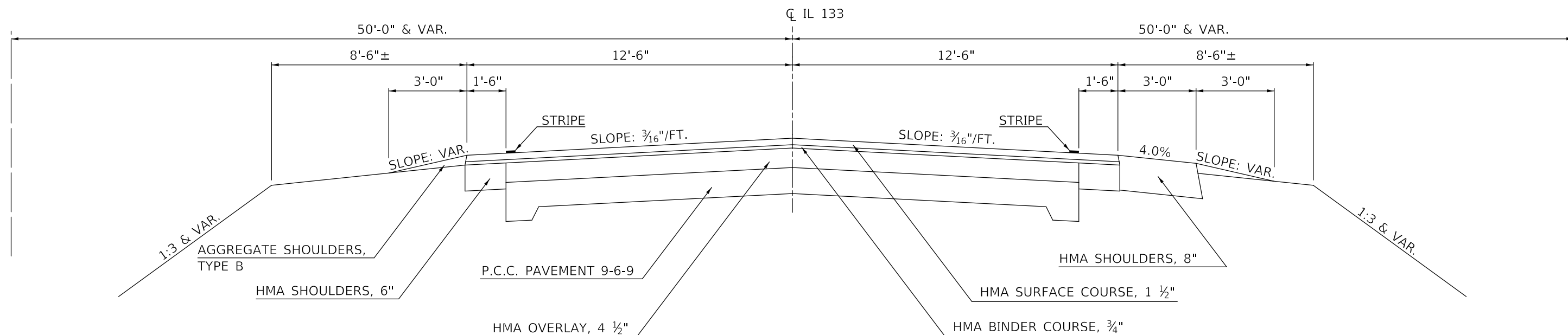
USER NAME = sniklerdr	DESIGNED -	REVISED -
PLOT SCALE = 40,0000' / in.	DRAWN -	REVISED -
PLOT DATE = 12/4/2017	CHECKED -	REVISED -
	DATE -	REVISED -

SCALE: SHEET 1 OF 3 SHEETS STA. TO STA.

F.A.P. RTE.	SECTION	COUNTY	TOTAL SHEETS	SHEET NO.
749	D5 CM PATCHING 2018-6	EDGAR	7	4
CONTRACT NO. 70D05				
ILLINOIS FED. AID PROJECT				

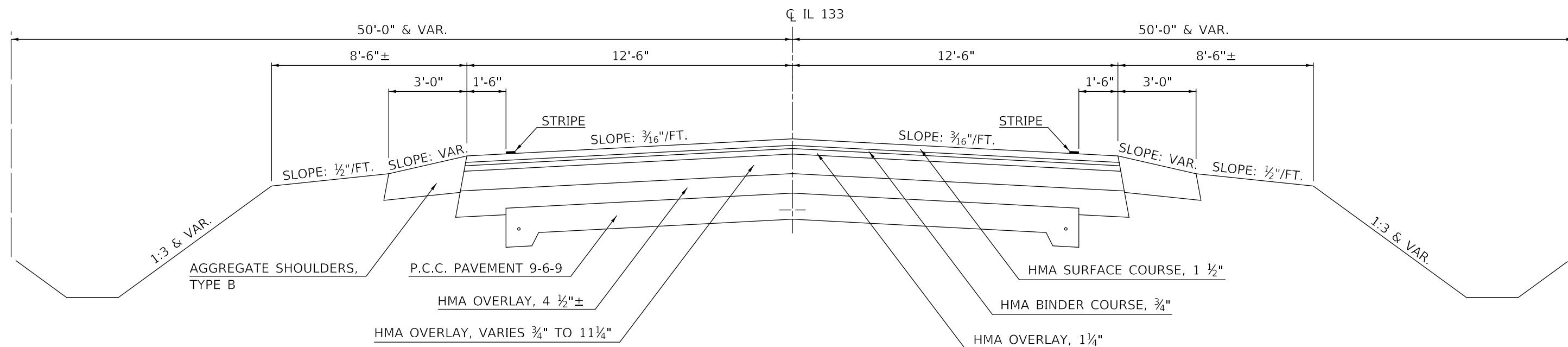
3 EXISTING TYPICAL CROSS SECTION

STATION ② 244+00.00 TO STATION 247+00.00 ②



4 EXISTING TYPICAL CROSS SECTION

STATION ② 636+00.00 TO STATION 638+85.00 ⑤
 ⑤ 655+00.00 TO STATION 657+00.00 ②



MODEL: \\MODELNAME
 FILE NAME: \\FILENAME
 PROJECT: \\PROJECTNAME
 CADD: \\CADDNAME
 DESIGN: \\DESIGNNAME
 DATE: \\DATE

USER NAME = sniklerdr	DESIGNED -	REVISED -
	DRAWN -	REVISED -
PLOT SCALE = 40,0000' / in.	CHECKED -	REVISED -
PLOT DATE = 12/4/2017	DATE -	REVISED -

STATE OF ILLINOIS
DEPARTMENT OF TRANSPORTATION

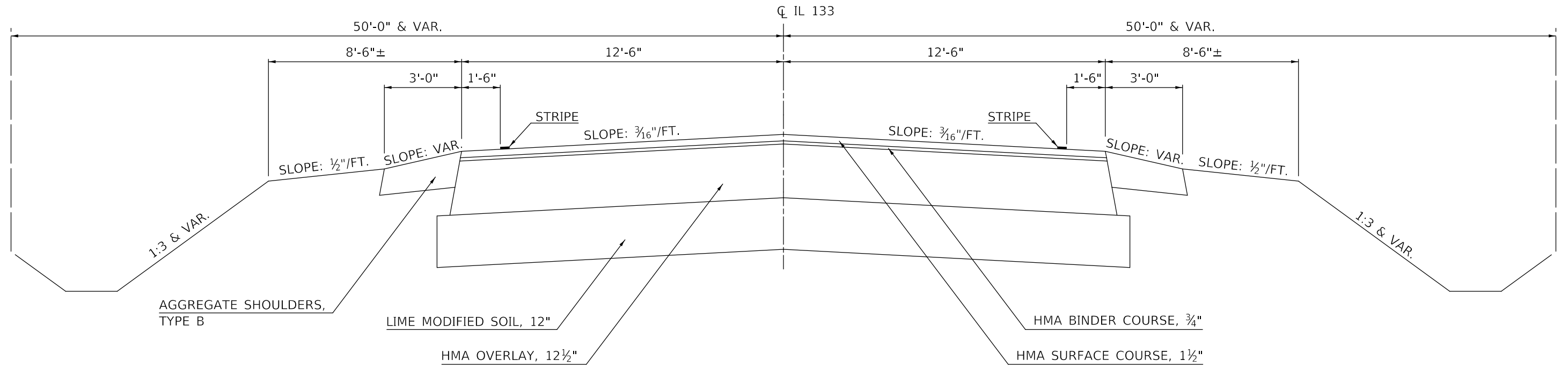
TYPICAL CROSS SECTIONS

SCALE: SHEET 2 OF 3 SHEETS STA. TO STA.

F.A.P. RTE.	SECTION	COUNTY	TOTAL SHEETS	SHEET NO.
749	D5 CM PATCHING 2018-6	EDGAR	7	5
CONTRACT NO. 70D05				
ILLINOIS FED. AID PROJECT				

⑤ EXISTING TYPICAL CROSS SECTION

STATION ④ 638+85.00 TO STATION 655+00.00 ④



MODEL: \\MODELNAME; FILE NAME: P:\IL\8048\BID\NITEC\Illinois\gov\PIV\DOT\Documents\DOT_Offices\Director\Projects\0570D05\CADD\Bata\Design\0570D05-sh-Typical.dgn

USER NAME = sniklerdr	DESIGNED -	REVISED -
	DRAWN -	REVISED -
PLOT SCALE = 40.0000' / in.	CHECKED -	REVISED -
PLOT DATE = 12/4/2017	DATE -	REVISED -

**STATE OF ILLINOIS
DEPARTMENT OF TRANSPORTATION**

TYPICAL CROSS SECTIONS			
SCALE:	SHEET 3	OF 3 SHEETS	STA. TO STA.

F.A.P. RTE.	SECTION	COUNTY	TOTAL SHEETS	SHEET NO.
749	D5 CM PATCHING 2018-6	EDGAR	7	6
CONTRACT NO. 70D05				
ILLINOIS FED. AID PROJECT				

FAP 749 (ILL 133) PATCHING SCHEDULE

	STATION	LENGTH (FOOT)	WIDTH (FOOT)	CLASS D PATCHES, TYPE II, 16 INCH 44201839 (SQ YD)	CLASS D PATCHES, TYPE III, 16 INCH 44201843 (SQ YD)	CLASS D PATCHES, TYPE IV, 16 INCH 44201845 (SQ YD)
WB	316+25.00	12.0	12.0	0.0	16.0	0.0
WB	321+73.00	6.0	12.0	8.0	0.0	0.0
WB	322+23.00	10.0	12.0	13.3	0.0	0.0
WB	324+75.00	6.0	12.0	8.0	0.0	0.0
WB	332+25.00	8.0	12.0	10.7	0.0	0.0
WB	332+77.00	6.0	12.0	8.0	0.0	0.0
WB	336+80.00	20.0	12.0	0.0	0.0	26.7
WB	339+79.00	6.0	12.0	8.0	0.0	0.0
WB	342+82.00	20.0	12.0	0.0	0.0	26.7
WB	343+75.00	6.0	12.0	8.0	0.0	0.0
WB	343+76.00	6.0	12.0	8.0	0.0	0.0
WB	344+25.00	6.0	12.0	8.0	0.0	0.0
WB	347+25.00	10.0	12.0	13.3	0.0	0.0
WB	352+52.00	8.0	12.0	10.7	0.0	0.0
WB	355+33.00	8.0	12.0	10.7	0.0	0.0
WB	356+84.00	12.0	12.0	0.0	16.0	0.0
WB	360+75.00	8.0	12.0	10.7	0.0	0.0
WB	361+77.00	6.0	12.0	8.0	0.0	0.0
WB	363+28.00	6.0	12.0	8.0	0.0	0.0
WB	363+78.00	6.0	12.0	8.0	0.0	0.0
WB	365+28.00	6.0	12.0	8.0	0.0	0.0
WB	413+80.00	15.0	12.0	0.0	20.0	0.0
WB	477+99.00	8.0	12.0	10.7	0.0	0.0
WB	478+50.00	10.0	12.0	13.3	0.0	0.0
WB	497+40.00	6.0	12.0	8.0	0.0	0.0
WB	505+06.00	6.0	12.0	8.0	0.0	0.0
WB	538+05.00	10.0	12.0	13.3	0.0	0.0
WB TOTAL:				210.7	52.0	53.4
WB ROUNDED:				220.0	60.0	60.0

	STATION	LENGTH (FOOT)	WIDTH (FOOT)	CLASS D PATCHES, TYPE II, 16 INCH 44201839 (SQ YD)	CLASS D PATCHES, TYPE III, 16 INCH 44201843 (SQ YD)	CLASS D PATCHES, TYPE IV, 16 INCH 44201845 (SQ YD)
EB	332+77.00	6.0	12.0	8.0	0.0	0.0
EB	333+75.00	8.0	12.0	10.7	0.0	0.0
EB	334+26.00	8.0	12.0	10.7	0.0	0.0
EB	343+75.00	6.0	12.0	8.0	0.0	0.0
EB	344+25.00	6.0	12.0	8.0	0.0	0.0
EB	361+77.00	6.0	12.0	8.0	0.0	0.0
EB	363+78.00	6.0	12.0	8.0	0.0	0.0
EB	413+80.00	15.0	12.0	0.0	20.0	0.0
EB	480+02.00	12.0	12.0	0.0	16.0	0.0
EB	497+40.00	8.0	12.0	10.7	0.0	0.0
EB	504+97.00	8.0	12.0	10.7	0.0	0.0
EB	505+06.00	6.0	12.0	8.0	0.0	0.0
EB	507+45.00	8.0	12.0	10.7	0.0	0.0
EB TOTAL:				101.5	36.0	0.0
EB ROUNDED:				110.0	40.0	0.0

	CLASS D PATCHES, TYPE II, 16 INCH 44201839 (SQ YD)	CLASS D PATCHES, TYPE III, 16 INCH 44201843 (SQ YD)	CLASS D PATCHES, TYPE IV, 16 INCH 44201845 (SQ YD)
WESTBOUND TOTAL:	220.0	60.0	60.0
EASTBOUND TOTAL:	110.0	40.0	0.0
GRAND TOTAL:	330.0	100.0	60.0

MODEL: \\MODELNAME
FILE: \\NAME.Plot\ILL133\FEBID\NTEC\Illinois.gov\FWID\DOT\Documents\DOT_Offices\Ill133\Projects\0570D05\CADD\DATA\Design\070D05-ht-schedule.dgn

USER NAME = sniklerdr	DESIGNED -	REVISED -
	DRAWN -	REVISED -
PLOT SCALE = 40.0000' / in.	CHECKED -	REVISED -
PLOT DATE = 12/4/2017	DATE -	REVISED -

**STATE OF ILLINOIS
DEPARTMENT OF TRANSPORTATION**

SCHEDULE OF QUANTITIES

SCALE: SHEET 1 OF 1 SHEETS STA. TO STA.

F.A.P. RTE.	SECTION	COUNTY	TOTAL SHEETS	SHEET NO.
749	D5 CM PATCHING 2018-6	EDGAR	7	7
CONTRACT NO. 70D05				
ILLINOIS FED. AID PROJECT				