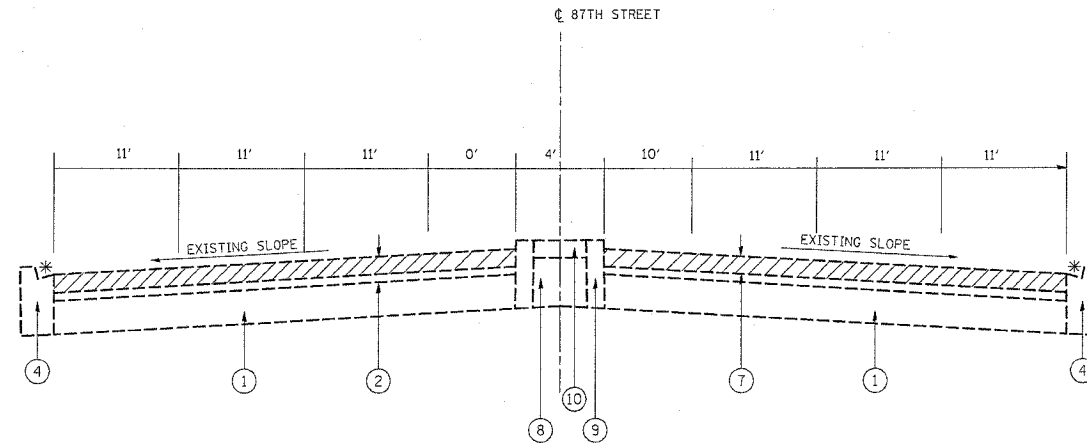
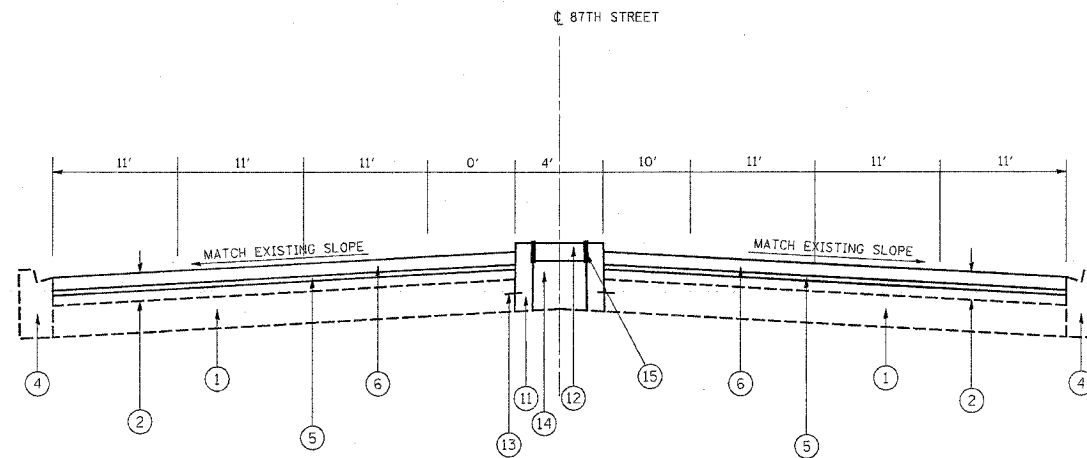


F.A.P. RTE.	SECTION	COUNTY	TOTAL SHEETS	SHEET NO.
395	0610 RS-1	COOK	26	8
STA. 159+81		TO STA. 160+34		
FED. ROAD DIST. NO. 1 ILLINOIS FED. AID PROJECT				



EXISTING TYPICAL SECTION
87TH STREET
STATION
159+81 TO 160+34



PROPOSED TYPICAL SECTION
87TH STREET
STATION
159+81 TO 160+35

LEGEND

- ① EXISTING PCC BASE COURSE, 10''(±)
 - ② EXISTING BIT. CONCRETE SURFACE COURSE, 5''(±)
 - ③ EXISTING PCC SIDEWALK, 5''
 - ④ EXISTING COMBINATION CONC. CURB & GUTTER, TYPE B-6.12
 - ⑤ PROPOSED POLYMERIZED LEVELING BINDER (MM), SUPERPAVE, IL-4.75, N50, 3/4 ''
 - ⑥ PROPOSED POLYMERIZED BIT. CONC. SURFACE COURSE, SUPERPAVE, MIX "F", N90, 1 3/4 ''
 - ⑦ BITUMINOUS SURFACE REMOVAL - 2 1/2 ''
 - ⑧ EXISTING CRUSHED STONE
 - ⑨ EXISTING PC CONCRETE CURB
 - ⑩ EXISTING CONCRETE MEDIAN SURFACE, 2 1/2''
 - ⑪ PROPOSED CONCRETE CURB, TYPE B
 - ⑫ PROPOSED CONCRETE MEDIAN SURFACE, 4''
 - ⑬ PROP. DRILL AND GROUT #4 TIE BAR, 90° SHAPE (24'' C-C), COST INCLUDED IN CONCRETE CURB, TYPE B PAY ITEM
 - ⑭ PROP. COARSE AGGREGATE - FILL TO SUBGRADE (TYP.) COST INCLUDED IN CONC. MEDIAN SURFACE, 4 INCH PAY ITEM
 - ⑮ PROP. 5/8'' PREFORMED EXPANSION JOINT FILLER - COST INCLUDED IN CONCRETE CURB, TYPE B PAY ITEM
- R - DESIGNATED FOR REMOVAL

NOTE:

* SIDEWALK REMOVAL AND REPLACEMENT LOCATIONS AND CURB AND GUTTER REMOVAL AND REPLACEMENT LOCATIONS TO BE DETERMINED IN THE FIELD BY THE RESIDENT ENGINEER.

REVISIONS	
NAME	DATE

ILLINOIS DEPARTMENT OF TRANSPORTATION

TYPICAL SECTIONS

SCALE: VERT.
HORIZ.
DATE

DRAWN BY
CHECKED BY