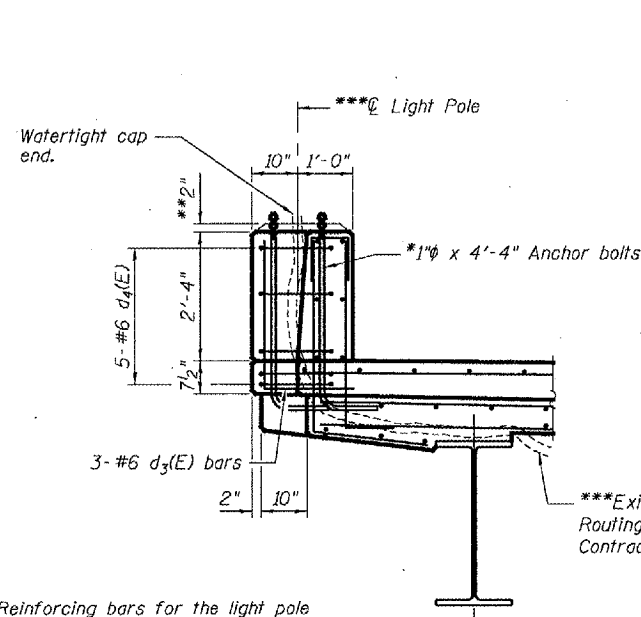


STATE OF ILLINOIS
DEPARTMENT OF TRANSPORTATION

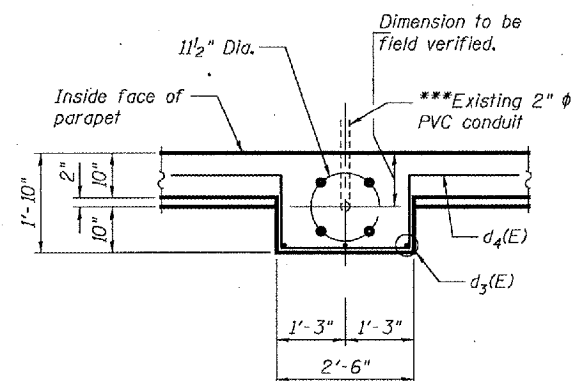
ROUTE NO. FAP 347	SECTION	COUNTY Cook	SHEET 17	SET 11	SHEET NO. 4 5 SHEETS
FED. ROAD DIST. NO. 7		ILLINOIS	FED. AID PROJECT		

Contract Number: 62956

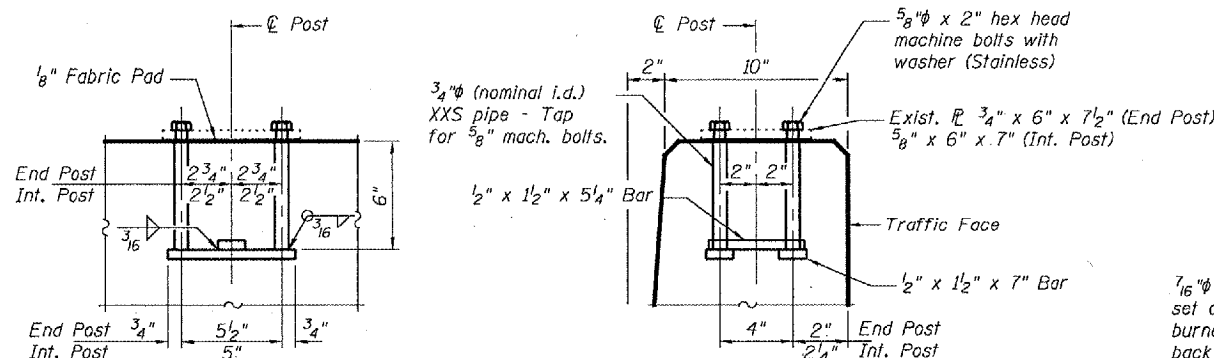


Reinforcing bars for the light pole base are included in the Bill of Material on Sheet 3 of 5.

SECTION AT LIGHTPOLE

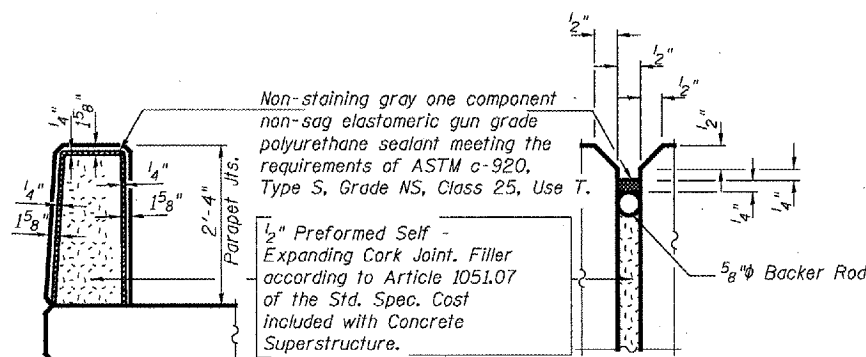


PLAN AT LIGHTPOLE BASE

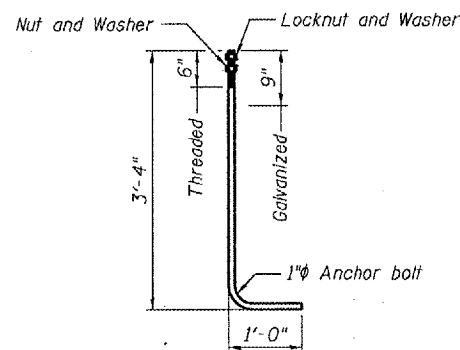


FENCE POST ANCHOR BOLT DETAILS

In lieu of the cast-in-place anchor device shown, the Contractor has the option of drilling and epoxy grouting 5/8" anchor rods. Embedment shall be according to the manufacturer's specifications. Cost included with Removing and Re-erecting Existing Railing.



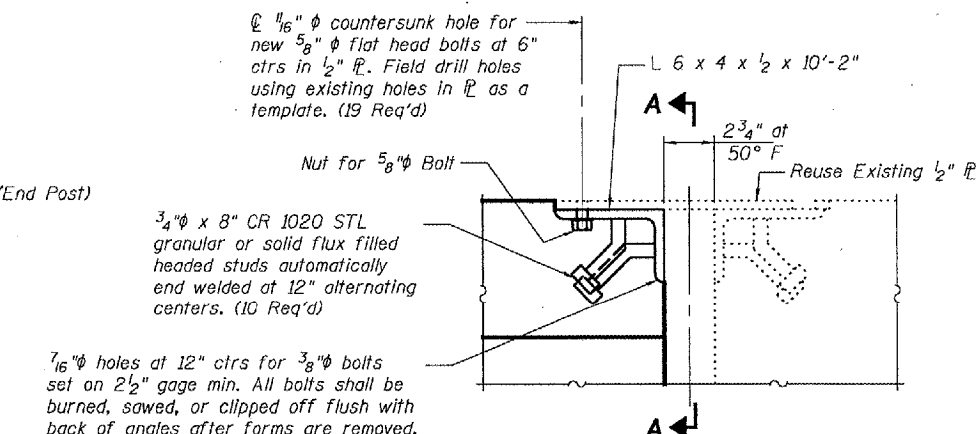
PARAPET JOINT DETAILS



LIGHT POLE ANCHOR BOLT

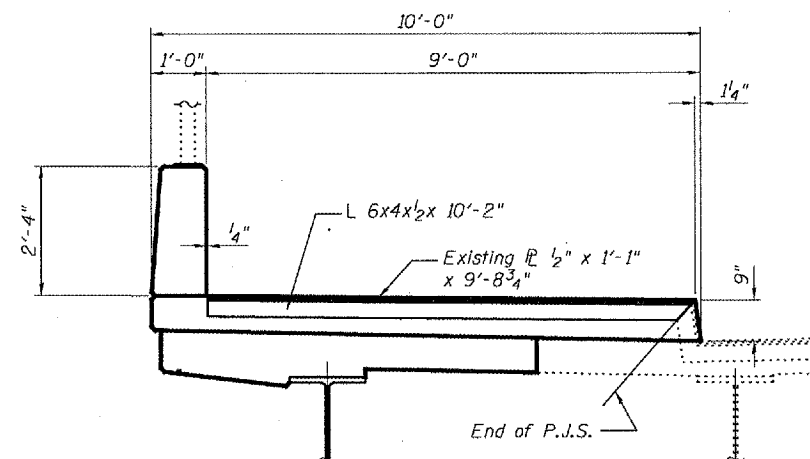
(Existing Anchor Bolts shall not be reused)
Contractor to verify existing anchor bolt diameter and length with the City of Chicago and replace in-kind.

* Provide 2 flat washers, 1 regular nut and 1 locknut for each bolt. All nuts and washers must be galvanized. Cost included with Concrete Superstructure.
** Grout mixture shall consist of 1 part sand, 1 part cement and 1 part pea gravel. The grout shall contain water for a 1" slump. Cost included with Concrete Superstructure.
*** Existing light pole shall be removed, and re-erected at the location shown on sheet 3 of 5. Any damage to the light pole or lighting system shall be repaired or replaced at the contractor's expense. The cast in place section of 2" PVC conduit may be replaced at the contractor's discretion. Cost included with Concrete Removal.

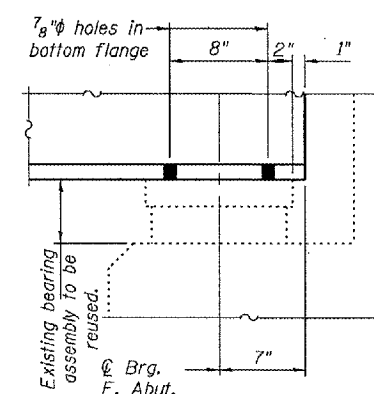


TYPICAL SIDEWALK JOINT SECTION

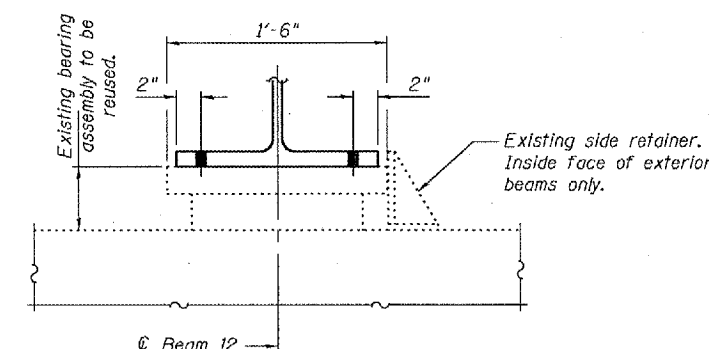
(Existing R to be bolted to new angle prior to placing concrete)



SECTION A-A



ELEVATION



SECTION

EXISTING EAST ABUTMENT BEARING

MISCELLANEOUS SLAB DETAILS

F.A.I. RT. 90/94
COOK COUNTY
SN 016-0478

DESIGNED	A.T.H.
CHECKED	S.J.B.
DRAWN	Drew Christopher
CHECKED	A.T.H. S.J.B.

EXAMINED	John A. Morris ENGINEER OF STRUCTURAL SERVICES
PASSED	Ralph E. Anderson ENGINEER OF BRIDGES AND STRUCTURES

January 18, 2006