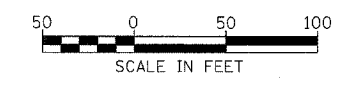
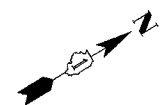
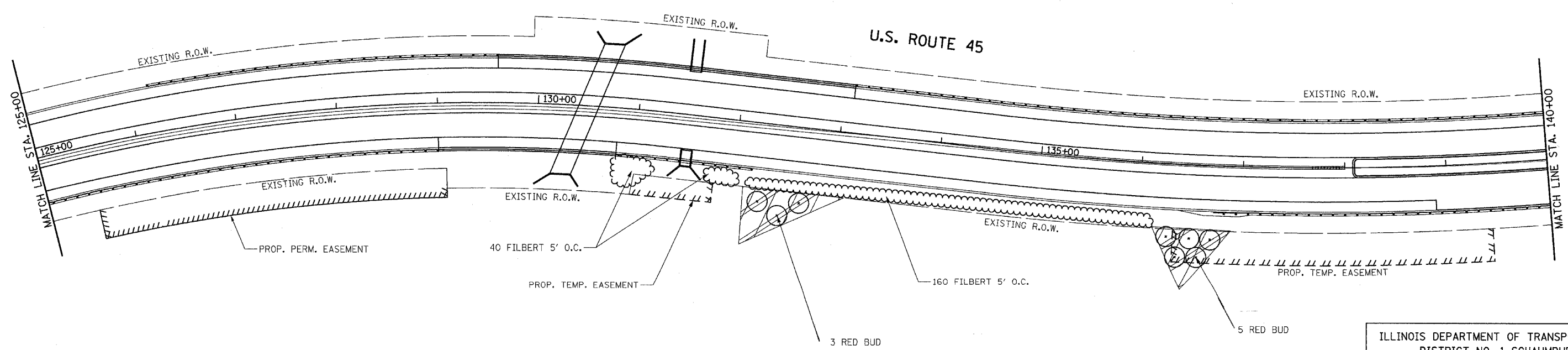
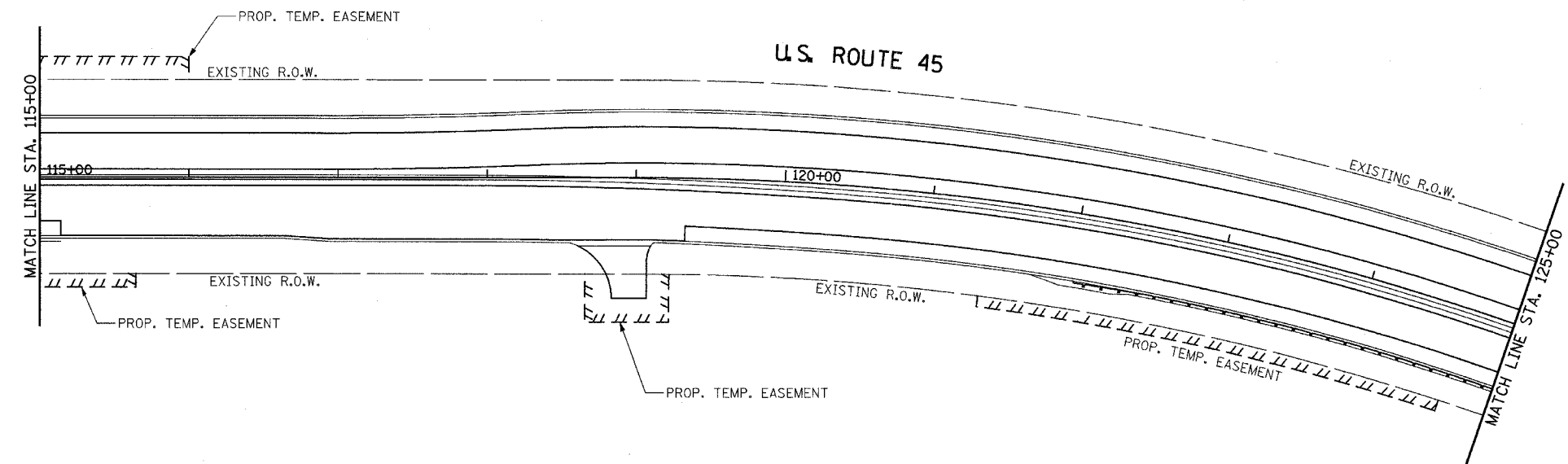


TWP	SECTION	COUNTY	TOTAL SHEETS	SHEET NO.
330	(102 & 102X) LS	COOK	14	5
STA.	115+00	TO STA.	140+00	
FED. ROAD DIST. NO.	1	ILLINOIS	FED. AID PROJECT	

D-91-227-05



ILLINOIS DEPARTMENT OF TRANSPORTATION  
DISTRICT NO. 1 SCHAUMBURG  
**LANDSCAPING PLAN**  
**U.S. ROUTE 45**  
SCALE AS SHOWN  
DATE OCT 25, 2005  
DRAWN BY BSB  
CHECKED BY CES