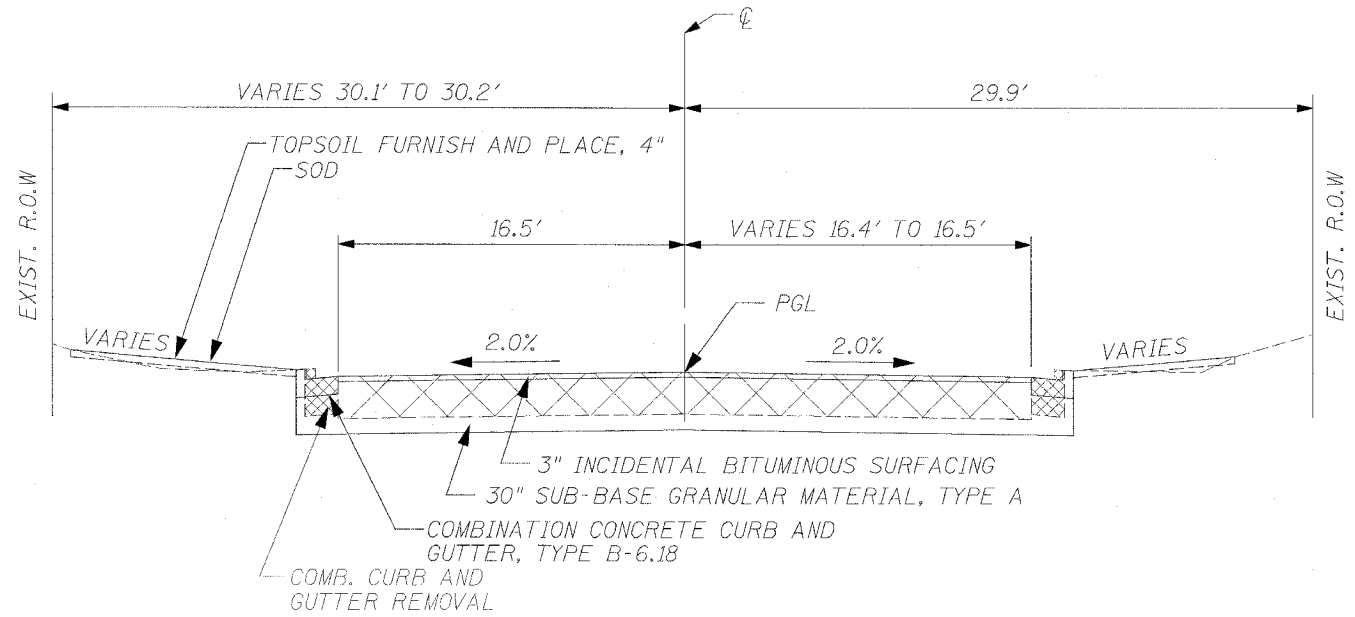


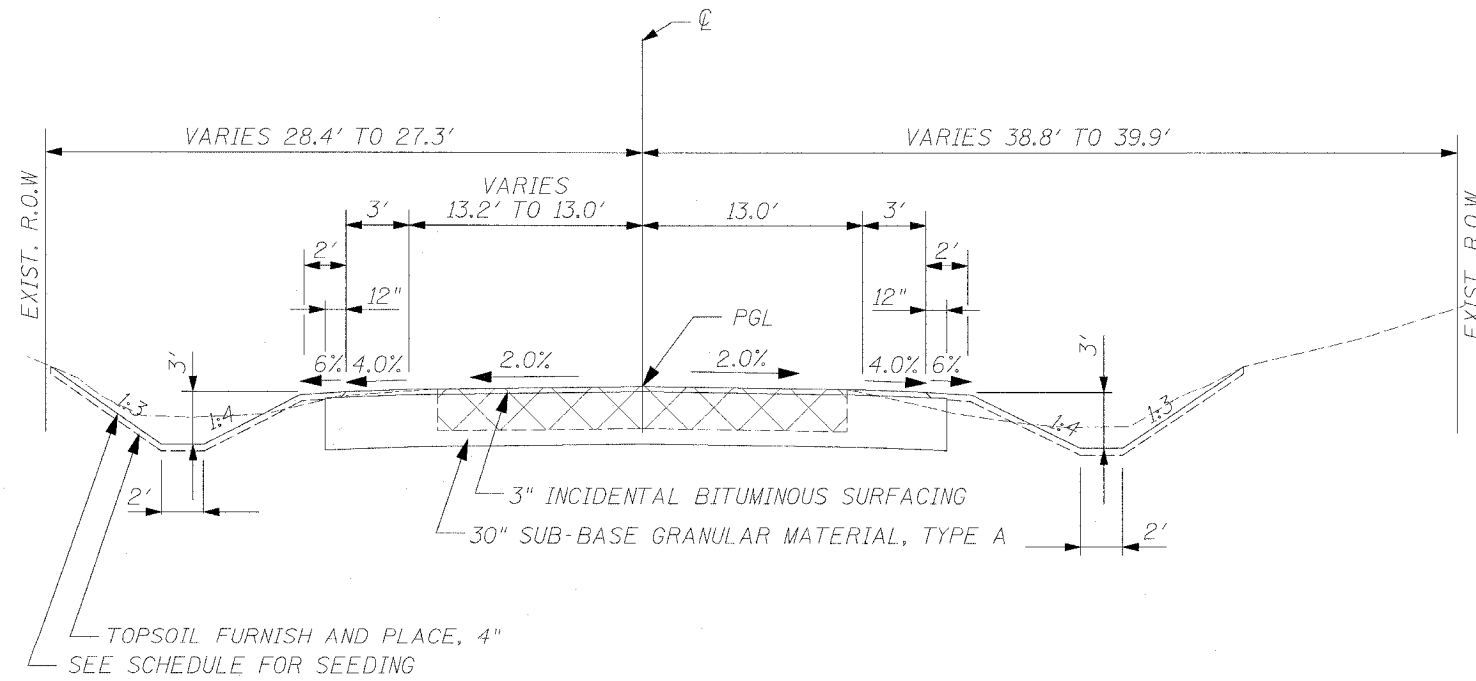
F.A.P. RTE.	SECTION	COUNTY	TOTAL SHEETS	SHEET NO.
309	16R-2	WHITESIDE	547	17
STA.	TO STA.			
FED. ROAD DIST. NO. 2	ILLINOIS	FED. AID PROJECT		



SCENIC ST. TYPICAL SECTION  
STA. 15+50.28 TO STA. 16+00.00

NOTES:

1. PROTECTIVE COAT SHALL BE PROVIDED ON COMB. CONC. CURB & GUTTER AND P.C.C. PAVEMENT IF CONSTRUCTED AFTER OCT. 15TH AND TRAFFIC IS ANTICIPATED PRIOR TO THE FOLLOWING APRIL 15TH.



SAWYER RD. TYPICAL SECTION  
LT. STA. 7+00.00 TO STA. 7+50.98  
RT. STA. 7+00.00 TO STA. 7+74.00

REVISIONS	
NAME	DATE

ILLINOIS DEPARTMENT OF TRANSPORTATION  
TYPICAL SECTION (SHEET 5 OF 7)  
FAP ROUTE 309 (US 30)  
SECTION 16R-2  
EAST CONTRACT  
FROM 0.2 MILE EAST OF JACKSON ST.  
TO FRENCH CREEK, WHITESIDE COUNTY

SCALE: N.T.S.  
DATE 08/11/05

DRAWN BY CAM  
CHECKED BY RDY