

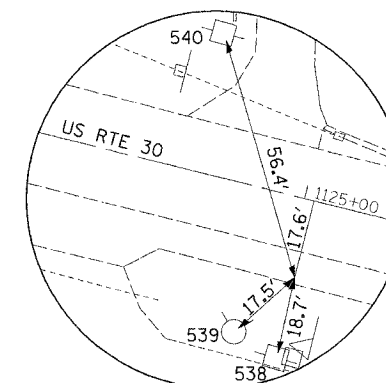
F.A.P. RTE.	SECTION	COUNTY	TOTAL SHEETS	SHEET NO.
309	16R-2	WHITESIDE	547	33
STA.		TO STA.		
FED. ROAD DIST. NO. 2		ILLINOIS	FED. AID PROJECT	

BENCH MARKS							
POINT	NORTH	EAST	ELEVATION	CHAIN	STATION	OFFSET	DESCRIPTION
424	1872011.497	2355132.398	661.28	PRUS30	1124+07.90	49.20' RT.	SIGN, CHISELED SQUARE
426	1871267.149	2358463.644	640.49	PRUS30	1158+20.06	22.10' LT.	HEADWALL, CHISELED SQUARE
431	1870467.767	2360958.276	643.23	PRUS30	1184+36.20	136.82' RT.	CMP. TOP
444	1872489.342	2353349.806	673.79	PRUS30	1105+62.52	31.61' RT.	STEP, CHISELED SQUARE
445	1872249.461	2354534.798	675.41	PRUS30	1117+70.00	32.81' LT.	R.O.W. MARKER, TOP
446	1871697.731	2356421.715	667.39	PRUS30	1137+34.34	49.50' RT.	STEP, CHISELED SQUARE

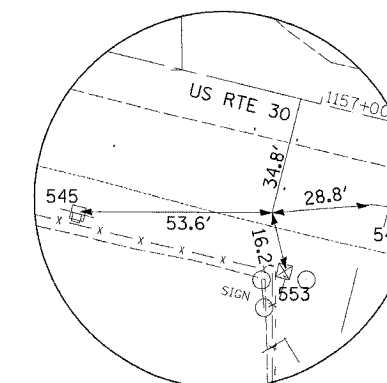
HORIZONTAL CONTROL POINTS							
POINT	NORTH	EAST	ELEVATION	CHAIN	STATION	OFFSET	DESCRIPTION
24	1872019.405	2355229.976	661.18	PRUS30	1125+00.48	17.57' RT.	GPS CONTROL POINT, PIN
26	1871242.728	2358326.677	639.22	PRUS30	1156+93.11	34.82' RT.	GPS CONTROL POINT, PIN
31	1870577.200	2360932.151	642.33	PRUS30	1183+82.83	37.78' RT.	GPS CONTROL POINT, PIN
34	1869958.265	2363560.211	655.77	PRUS30	1210+81.68	39.42' LT.	GPS CONTROL POINT, PIN
44	1872512.239	2353310.512	673.29	PRUS30	1105+18.79	19.12' RT.	GPS CONTROL POINT, PIN
45	1872249.100	2354482.487	671.10	PRUS30	1117+19.43	19.46' LT.	GPS CONTROL POINT, PK NAIL
46	1871727.325	2356324.851	669.10	PRUS30	1136+33.18	43.58' RT.	GPS CONTROL POINT, PIN

SURVEY WORK POINTS							
POINT	NORTH	EAST	ELEVATION	CHAIN	STATION	OFFSET	DESCRIPTION
123	1872272.512	2354313.009	668.06	PRUS30	1115+49.45	0.00' RT.	PI, PK NAIL
124	1872079.293	2355066.951	662.51	PRUS30	1123+27.75	0.28' LT.	POT, PK NAIL
125	1871952.550	2355570.352	664.76	PRUS30	1128+46.87	0.51' RT.	POC, PK NAIL
126	1871881.100	2355870.087	667.79	PRUS30	1131+55.00	0.00' RT.	POT, PK NAIL
127	1871802.938	2356194.994	670.20	PRUS30	1134+89.18	0.55' RT.	POC, PK NAIL
128	1871679.883	2356702.232	661.99	PRUS30	1140+11.13	0.16' RT.	POT, PK NAIL
129	1871514.014	2357377.616	653.17	PRUS30	1147+06.58	0.00' RT.	POT, PK NAIL
130	1871429.423	2357723.473	654.42	PRUS30	1150+62.63	0.62' LT.	POC, PK NAIL
131	1871330.651	2358118.751	646.24	PRUS30	1154+70.06	0.06' LT.	POT, PK NAIL
132	1870895.636	2359859.044	646.49	PRUS30	1172+83.90	0.31' LT.	POT, PK NAIL
133	1870800.974	2360234.132	647.93	PRUS30	1176+50.75	1.12' LT.	POC, PK NAIL
134	1870649.215	2360808.331	646.85	PRUS30	1182+44.66	0.00' RT.	POT, PK NAIL
135	1869871.406	2363733.475	658.91	PRUS30	1212+71.45	0.00' RT.	POT, PK NAIL
146	1871783.674	2356277.539	664.73	PRUS30	1135+73.94	0.06' LT.	POT
147	1871974.019	2355482.765	663.57	PRUS30	1127+56.69	0.50' RT.	POT
148	1872123.135	2354895.008	660.78	PRUS30	1121+50.31	0.00' RT.	POT
149	1872173.408	2354699.370	665.35	PRUS30	1119+48.32	0.06' LT.	POT
150	1872213.656	2354542.420	667.18	PRUS30	1117+86.29	0.02' LT.	POT
151	1872014.389	2355321.159	657.03	PRUS30	1125+90.12	0.22' RT.	POC
152	1871402.173	2357831.984	653.10	PRUS30	1151+74.51	0.25' LT.	POC, PAINTED
153	1871300.573	2358238.892	643.67	PRUS30	1155+93.91	0.00' RT.	POT, PAINTED
154	1870931.095	2359716.248	645.60	PRUS30	1171+16.77	0.00' RT.	POT, PAINTED

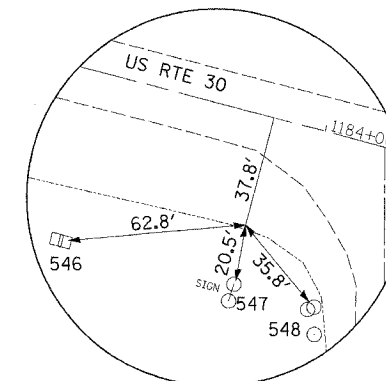
REFERENCE TIES				
POINT	CHAIN	STATION	OFFSET	DESCRIPTION
532	PRUS30	1106+42.79	15.39' RT.	POWER POLE WITH LIGHT
533	PRUS30	1105+38.91	0.14' LT.	MANHOLE
534	PRUS30	1104+73.07	49.03' RT.	PRIVATE BUILDING, CORNER
535	PRUS30	1116+84.84	26.99' RT.	POWER POLE, NAIL
536	PRUS30	1117+19.93	29.04' LT.	POWER POLE, NAIL
537	PRUS30	1117+69.99	32.81' LT.	R.O.W. MARKER, TOP
538	PRUS30	1125+02.89	36.09' RT.	POWER POLE, NAIL
539	PRUS30	1124+92.13	32.92' RT.	FIRE HYDRANT, PAINTED
540	PRUS30	1124+73.49	31.95' LT.	POWER POLE, NAIL
541	PRUS30	1137+33.80	55.53' RT.	COMMERCIAL BUILDING, CORNER
542	PRUS30	1137+31.46	111.59' RT.	COMMERCIAL BUILDING, CORNER
543	PRUS30	1136+83.75	110.16' RT.	COMMERCIAL BUILDING, CORNER
544	PRUS30	1157+20.08	24.64' RT.	GUARDRAIL, END
545	PRUS30	1156+40.88	46.88' RT.	TELEPHONE SPLICE BOX, PAINTED
546	PRUS30	1183+23.65	58.94' RT.	TELEPHONE SPLICE BOX, PAINTED
547	PRUS30	1183+83.40	58.24' RT.	SIGN POLE, NAIL
548	PRUS30	1184+10.53	60.46' RT.	FENCE POST, NAIL
549	PRUS30	1210+54.65	81.81' LT.	POWER POLE, NAIL
550	PRUS30	1211+29.37	60.23' RT.	POWER POLE, NAIL
551	PRUS30	1211+69.03	105.11' LT.	R.O.W. MARKER, CORNER
552	PRUS30	1210+90.88	148.63' LT.	POWER POLE, NAIL
553	PRUS30	1156+99.23	49.82' RT.	R.O.W. MARKER, TOP



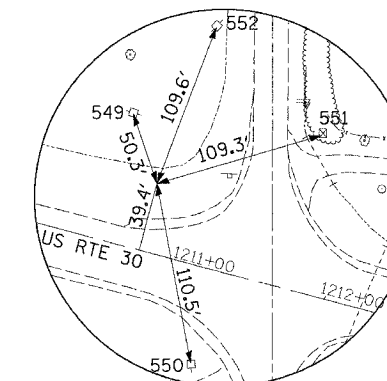
HORIZONTAL CONTROL POINT No. 24



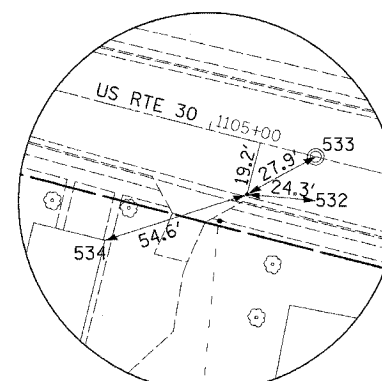
HORIZONTAL CONTROL POINT No. 26



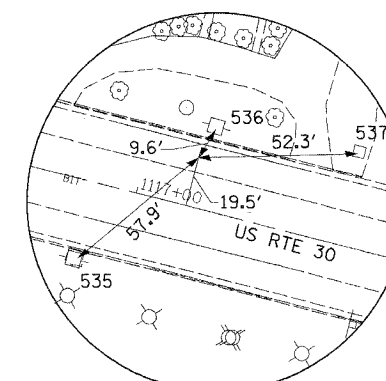
HORIZONTAL CONTROL POINT No. 31



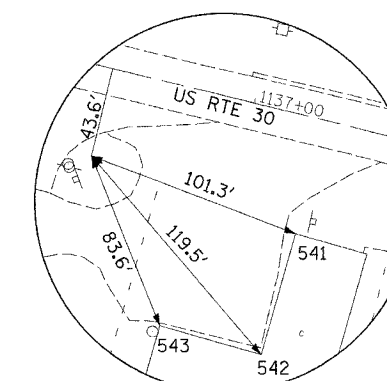
HORIZONTAL CONTROL POINT No. 34



HORIZONTAL CONTROL POINT No. 44



HORIZONTAL CONTROL POINT No. 45



HORIZONTAL CONTROL POINT No. 46

REVISIONS	
NAME	DATE

ILLINOIS DEPARTMENT OF TRANSPORTATION  
 HORIZONTAL AND VERTICAL CONTROL  
 FAP ROUTE 309 (US 30)  
 SECTION 16R-2  
 EAST CONTRACT  
 FROM 0.2 MILE EAST OF JACKSON ST.  
 TO FRENCH CREEK, WHITESIDE COUNTY

SCALE: N.T.S. DRAWN BY CAM  
 DATE 07/21/05 CHECKED BY RDY