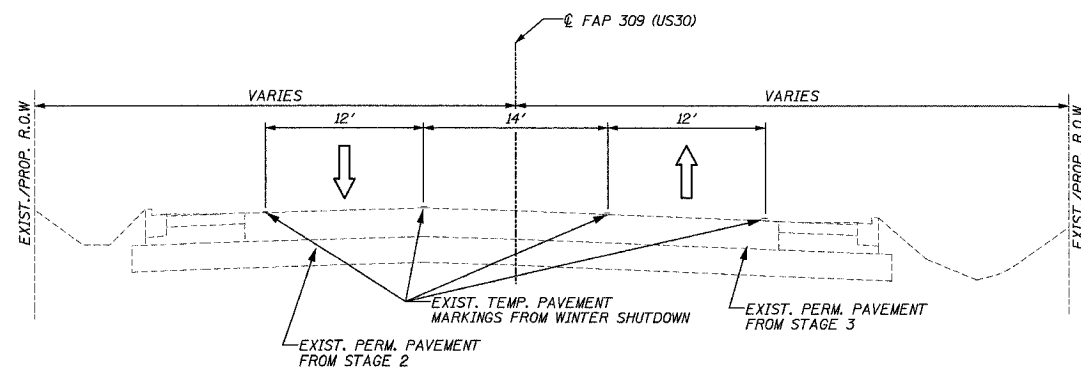
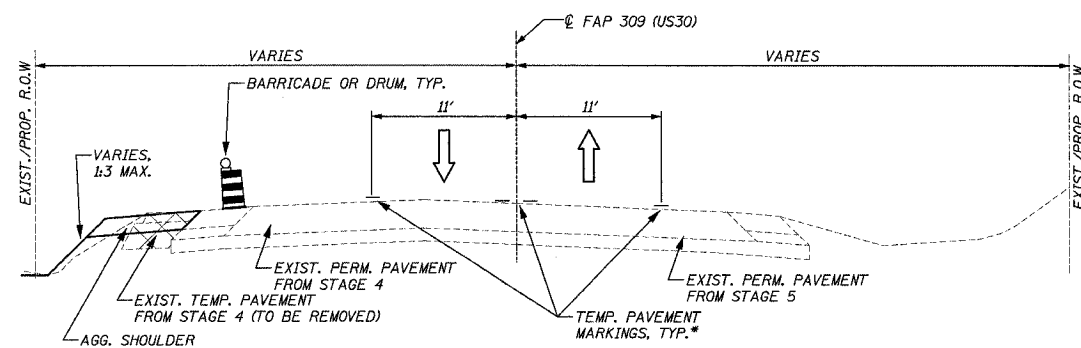


F.A.P. RTE.	SECTION	COUNTY	TOTAL SHEETS	SHEET NO.
309	16R-2	WHITESIDE	547	168
STA.	TO STA.			
FED. ROAD DIST. NO. 2	ILLINOIS	FED. AID PROJECT		



TYPICAL SECTION NO. 1
(STA. 1114+00.00 TO STA. 1133+59.93)



TYPICAL SECTION NO. 2
(STA. 1133+59.93 TO STA. 1174+30.00)

STAGE 6

GENERAL NOTES:

ACCESS TO ENTRANCES AND LOCAL ROADS WITHIN THE PROJECT AREA WILL BE MAINTAINED AT ALL TIMES, UNLESS OTHERWISE SPECIFIED IN TRAFFIC NOTES.

DRAINAGE TO EXISTING AND PROPOSED DRAINAGE STRUCTURES TO BE MAINTAINED AT ALL TIMES.

TRAFFIC NOTES:

SHIFT TRAFFIC AS SHOWN ON THE PLANS UTILIZING TEMPORARY PAVEMENT MARKINGS AND TRAFFIC CONTROL DEVICES SHOWN ON THE STAGING PLANS AND APPLICABLE TRAFFIC CONTROL STANDARDS.

MAINTAIN ONE (1) LANE OF TRAFFIC IN EACH DIRECTION WHILE MAINTAINING ACCESS TO ALL ENTRANCES AND EXITS AS SHOWN ON THE STAGING PLANS.

UTILIZE TRAFFIC CONTROL STANDARDS AS SHOWN ON THE STAGING PLANS.

WORK TO BE PERFORMED UNDER DAY TIME CLOSURES. SEE STAGING PLANS FOR APPLICABLE TRAFFIC CONTROL STANDARDS.

CONSTRUCTION/SEQUENCE OF STAGING NOTES:

PLACE TEMPORARY PAVEMENT MARKINGS AS SHOWN ON THE STAGING PLANS AND REMOVE ANY CONFLICTING EXISTING PAVEMENT MARKINGS.

REMOVE TEMPORARY PAVEMENT.

CONSTRUCT THE PERMANENT SHOULDERS AND ENTRANCES AS SHOWN ON THE STAGING PLANS.

PERFORM FINAL DITCH GRADING.

REMOVE TEMPORARY WEDGE (BITUMINOUS MIXTURE COMPLETE) ALONG THE PERMANENT GUTTER.

CONSTRUCT FINAL SURFACE COURSE ON THE ROADWAY AND SHOULDERS.

REMOVE TEMPORARY PAVEMENT MARKINGS.

INSTALL PERMANENT PAVEMENT MARKINGS.

* SEE MAINTENANCE OF TRAFFIC PLANS FOR COLOR OF TEMPORARY PAVEMENT MARKINGS AND ADDITIONAL LOCATION INFORMATION.

REVISIONS		ILLINOIS DEPARTMENT OF TRANSPORTATION MAINTENANCE OF TRAFFIC, TYPICAL SECTIONS, STAGE 6 FAP ROUTE 309 (US 30), SECTION 16R-2 EAST CONTRACT FROM 0.2 MILE EAST OF JACKSON ST. TO FRENCH CREEK WHITESIDE COUNTY
NAME	DATE	

SCALE: N.T.S. DRAWN BY CAM
DATE 08/19/04 CHECKED BY RDY