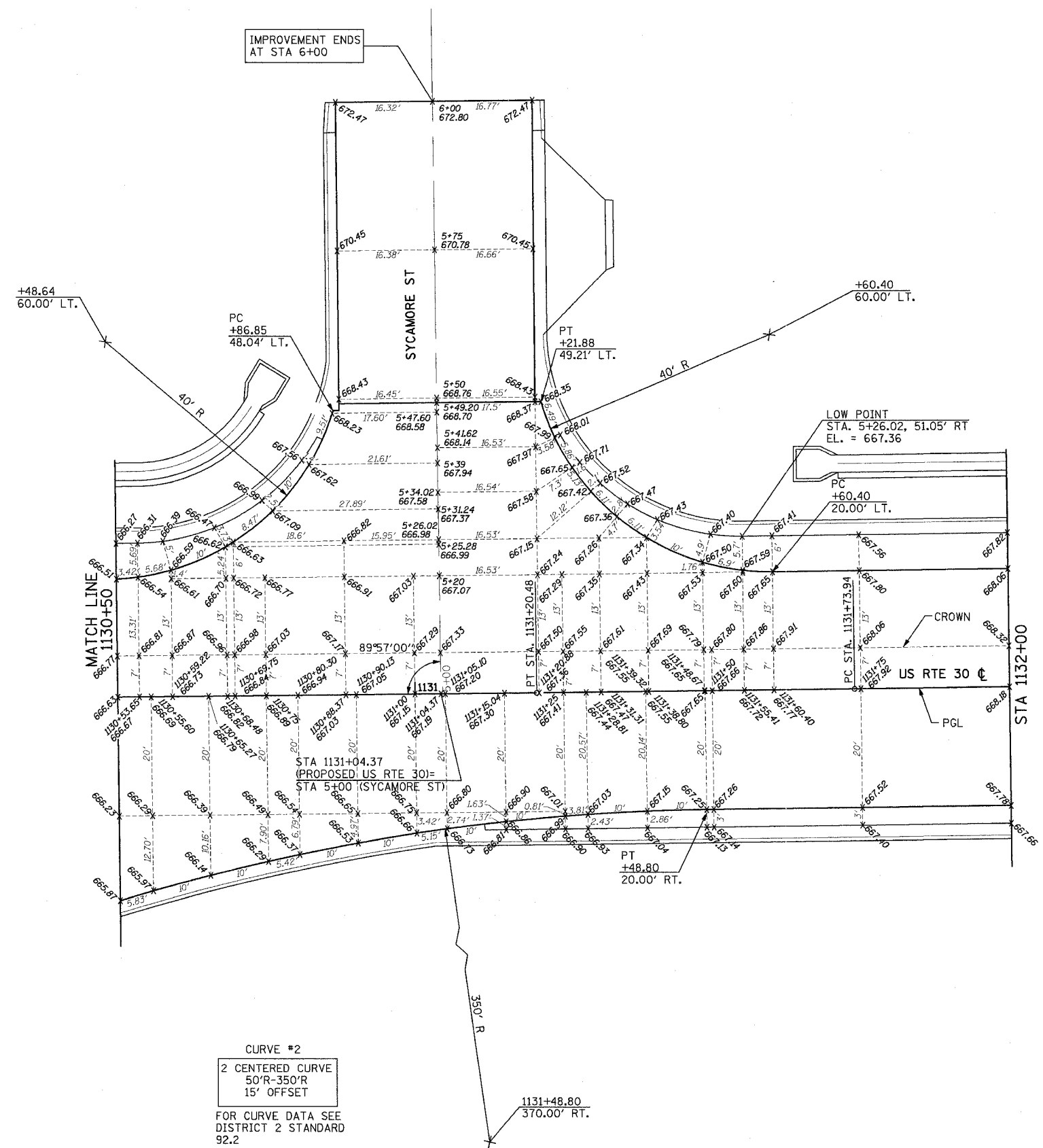
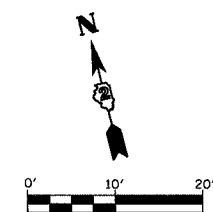


F.A.P. RTE.	SECTION	COUNTY	TOTAL SHEETS	SHEET NO.
309	16R-2	WHITESIDE	547	150
STA. 1130+50		TO STA. 1132+00		
FED. ROAD DIST. NO. 2 ILLINOIS FED. AID PROJECT				



IMPROVEMENT ENDS AT STA 6+00

CURVE #2  
2 CENTERED CURVE  
50'R-350'R  
15' OFFSET

FOR CURVE DATA SEE DISTRICT 2 STANDARD 92.2

SEE SAWYER RD. INTERSECTION LAYOUT AND GRADING PLAN FOR 50' RADIUS CURVE AT 1130+55.40, 85.00' RT.

NOTES:

1. SEE PLAN AND PROFILE SHEETS FOR ADDITIONAL LAYOUT INFORMATION.
2. SEE LINE DIAGRAM PLANS FOR HORIZONTAL CURVE INFORMATION.

REVISIONS	
NAME	DATE

ILLINOIS DEPARTMENT OF TRANSPORTATION  
INTERSECTION LAYOUT & GRADING PLAN  
US RTE 30 AND SYCAMORE ST.  
FAP ROUTE 309 (US 30) SECTION 16R-2  
EAST CONTRACT  
FROM 0.2 MILE EAST OF JACKSON ST.  
TO FRENCH CREEK, WHITESIDE COUNTY

SCALE: 1"=10'  
DATE 07/20/05

DRAWN BY MCM  
CHECKED BY RDY