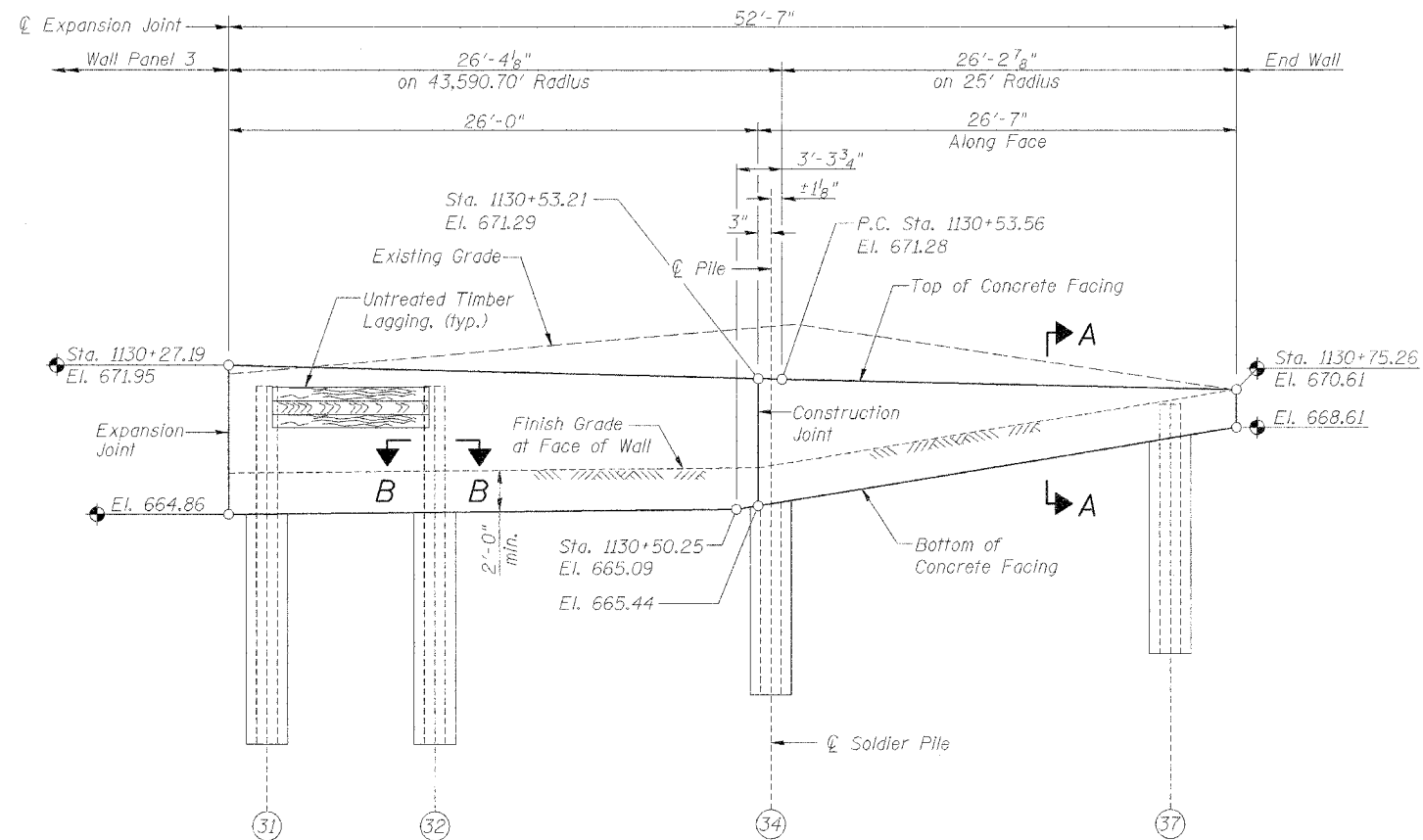


STATE OF ILLINOIS
DEPARTMENT OF TRANSPORTATION

ROUTE NO.	SECTION	COUNTY	TOTAL SHEETS	SHEET NO.	SHEET NO. 7
F.A.P. 309	16R-2	WHITESIDE	547	145	13 SHEETS
FED. ROAD DIST. NO. 4	ILLINOIS	FED. AID PROJECT			

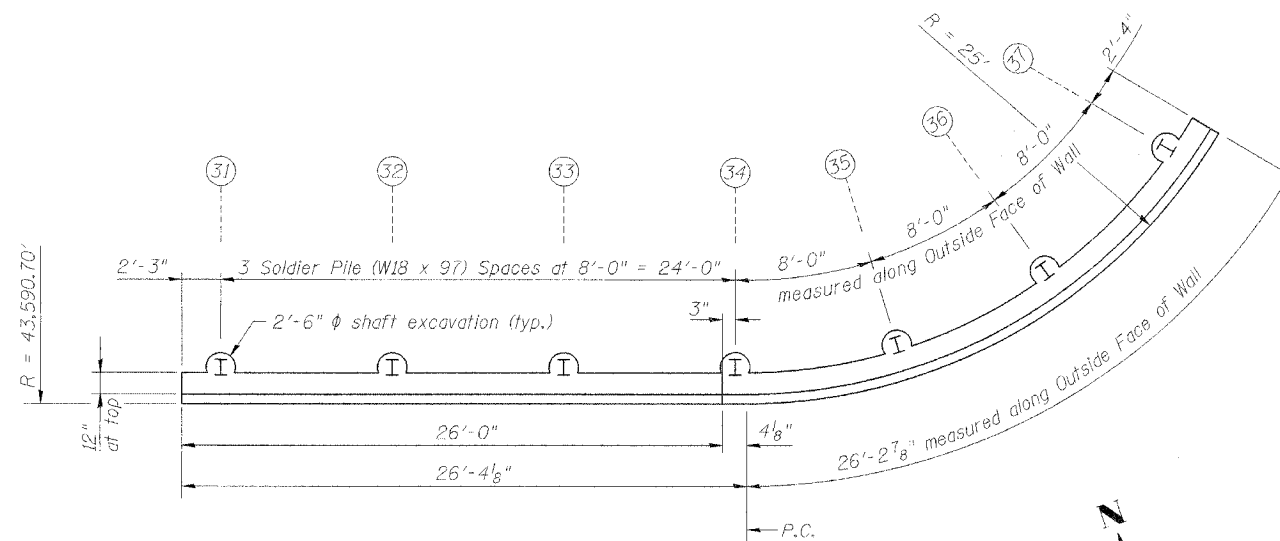
Contract No. 64969



ELEVATION
Along Face of Wall

Notes:

1. See Sht. 2 for Section A-A.
2. See Sht. 3 for Section B-B & Pile Summary.
3. See Sht. 8 for Reinforcement.
4. Pile webs are placed parallel to radial lines.



PLAN

DESIGNED	LLV
CHECKED	P.JL
DRAWN	MGM
CHECKED	LLV

**SOLDIER PILE WALL PANEL 4
RETAINING WALL NO. 1
U.S. RTE. 30 (LINCOLN HIGHWAY)
BETWEEN SCENIC ST. & SYCAMORE ST.
F.A.P. ROUTE 309 SECTION 16 R-2
WHITESIDE COUNTY
STA. 1127+90.75 TO
STA. 1130+75.26 (LT.)
STRUCTURE NO. 098-7001**

STS CONSULTANTS
111 NE Jefferson Ave.
Peoria, Illinois 61602
Ph(309)676-8464
FAX(309)676-5445
IL Design Firm Reg. No. 184-001518

12/26/2005 10:14:23 AM