

STATE OF ILLINOIS
DEPARTMENT OF TRANSPORTATION

ROUTE NO.	SECTION	COUNTY	TOTAL SHEETS	SHEET NO.
F.A.P. 309	16R-2	WHITESIDE	547	189
FED. ROAD DIST. NO. 4	ILLINOIS	FED. AID PROJECT		

Contract # 64969

GENERAL NOTES

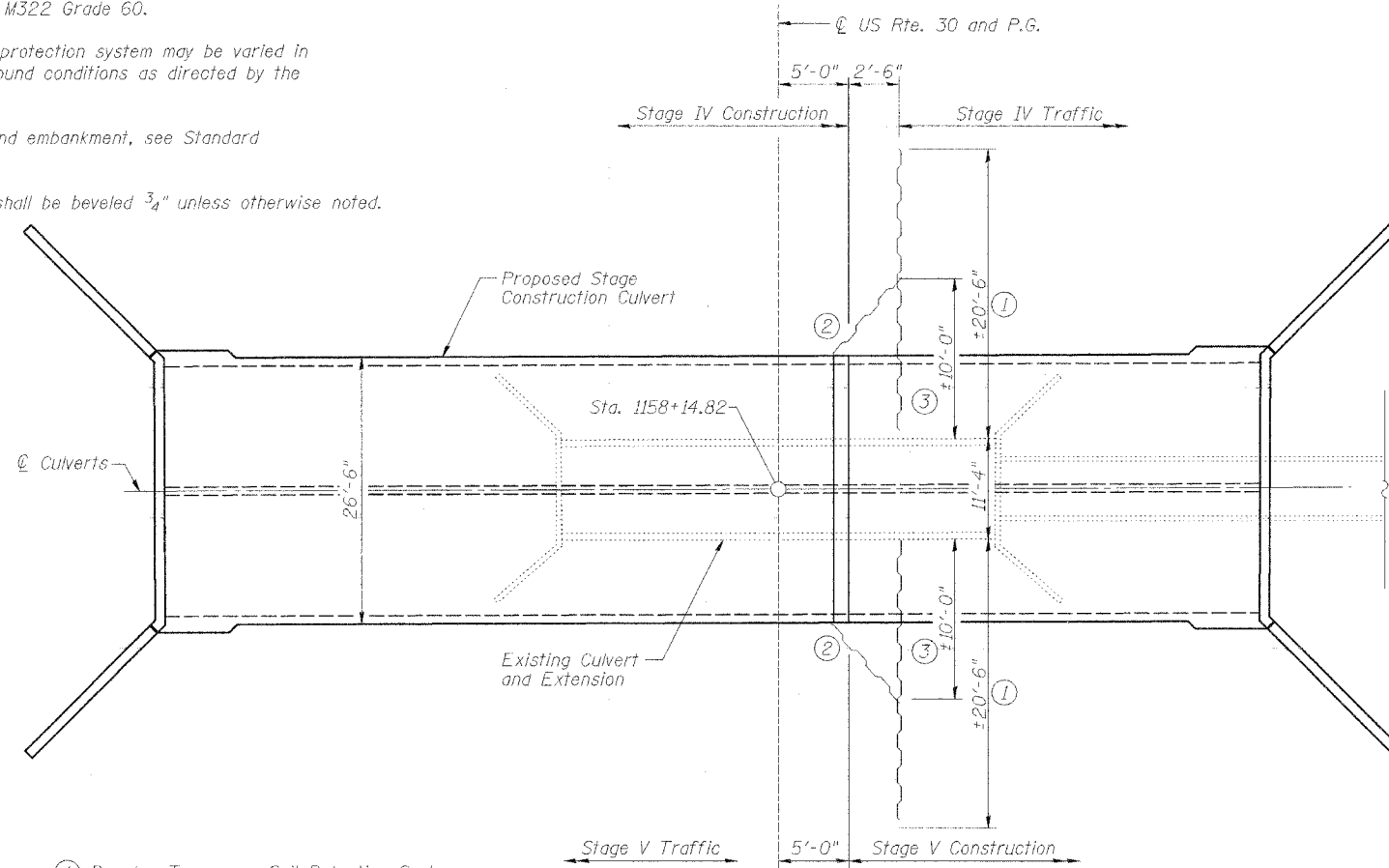
1. Pre-cast alternate not allowed.
2. The limits and quantities of removal shown are based on the boring data and may be modified by the District Geotechnical Engineer and field engineers for variable subsurface conditions encountered in the field.
3. Contact District Geotechnical Engineer so a dynamic core penetration test can be performed to determine actual limits of excavation of unsuitable material in the field.
4. All construction joints shall be bonded.
5. Reinforcement bars shall conform to the requirements of AASHTO M31 or M322 Grade 60.
6. Layout of slope protection system may be varied in the field to suit ground conditions as directed by the Engineer.
7. For backfilling and embankment, see Standard Specifications.
8. Exposed edges shall be beveled $\frac{3}{4}$ " unless otherwise noted.

TOTAL BILL OF MATERIAL

ITEM	UNIT	TOTAL
Breaker-Run Crushed Stone	Ton	747
Name Plates	Each	1
Removal and Disposal of Unsuitable Material	Cu. Yd.	364
Removal of Existing Structures	Each	1
Concrete Box Culverts	Cu. Yd.	386.1
Reinforcement Bars	Pound	68,510
Stone Riprap, Class A4	Sq. Yd.	289
Filter Fabric	Sq. Yd.	289
Bar Splacers	Each	140
Temporary Soil Retention System	Sq. Ft.	560

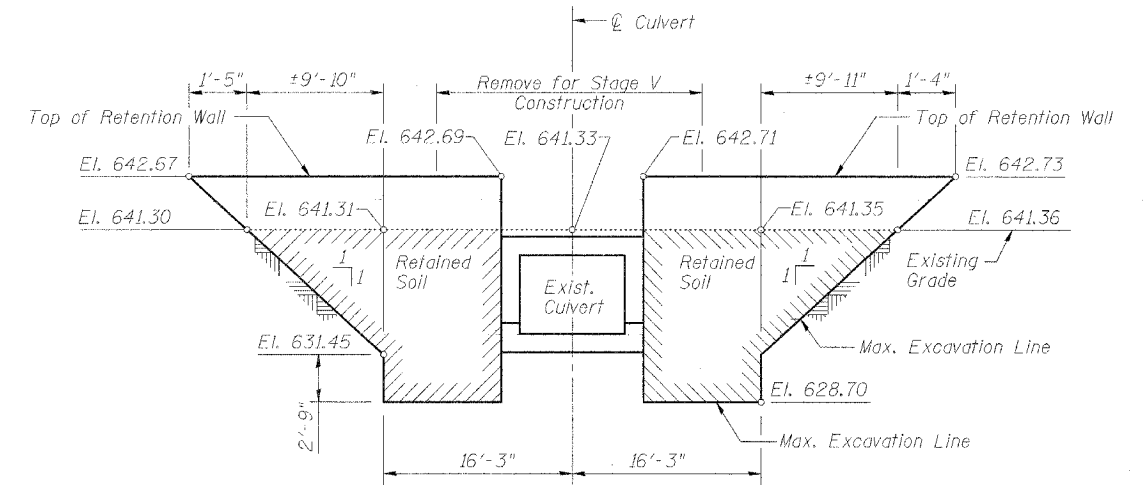
BOX CULVERT DESIGN CRITERIA

f Min. / f Max. (Feet)	Design Fill Height (F) (Feet)	AASHTO Designation
2' ≤ f Min. ≤ 3'	2'	M259

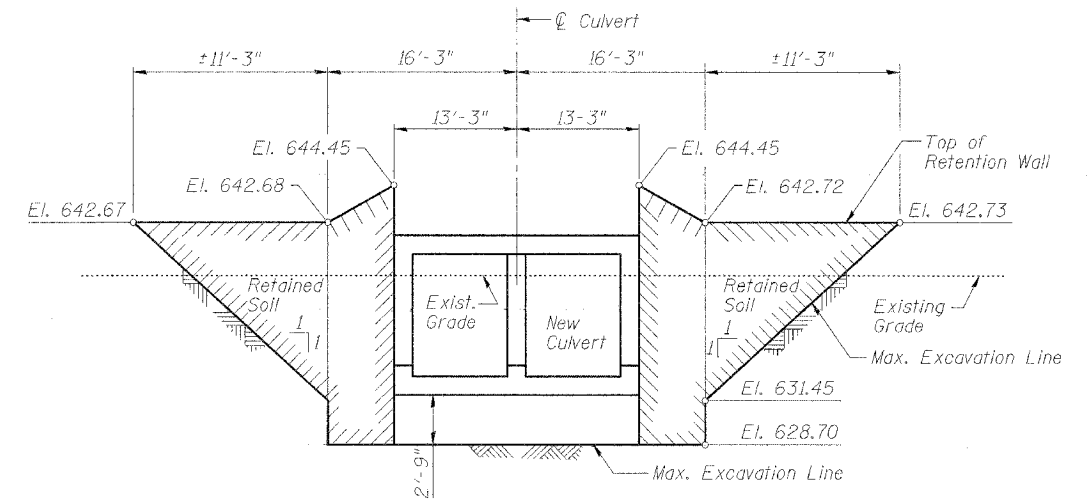


- ① Denotes Temporary Soil Retention System for Stage IV Traffic and Construction.
- ② Denotes additional Temporary Soil Retention System required for backfilling of Stage IV Construction.
- ③ Denotes removal of Temporary Soil Retention System prior to Stage V Construction.

PLAN
N.T.S.



STAGE IV RETENTION



STAGE V RETENTION

STAGE CONSTRUCTION
AND GENERAL NOTES
US RTE. 30 OVER UNNAMED CREEK
F.A.P. ROUTE 309 SECT. 16R-2
WHITESIDE COUNTY
STATION 1158+14.82
STRUCTURE NO. 098-2025

DESIGNED	LLV
CHECKED	BL
DRAWN	MGM
CHECKED	LLV

STS CONSULTANTS
111 NE Jefferson Ave.
Peoria, Illinois 61602
Ph(309)676-8464
FAX(309)676-5445
IL Design Firm Reg. No. 64-00156