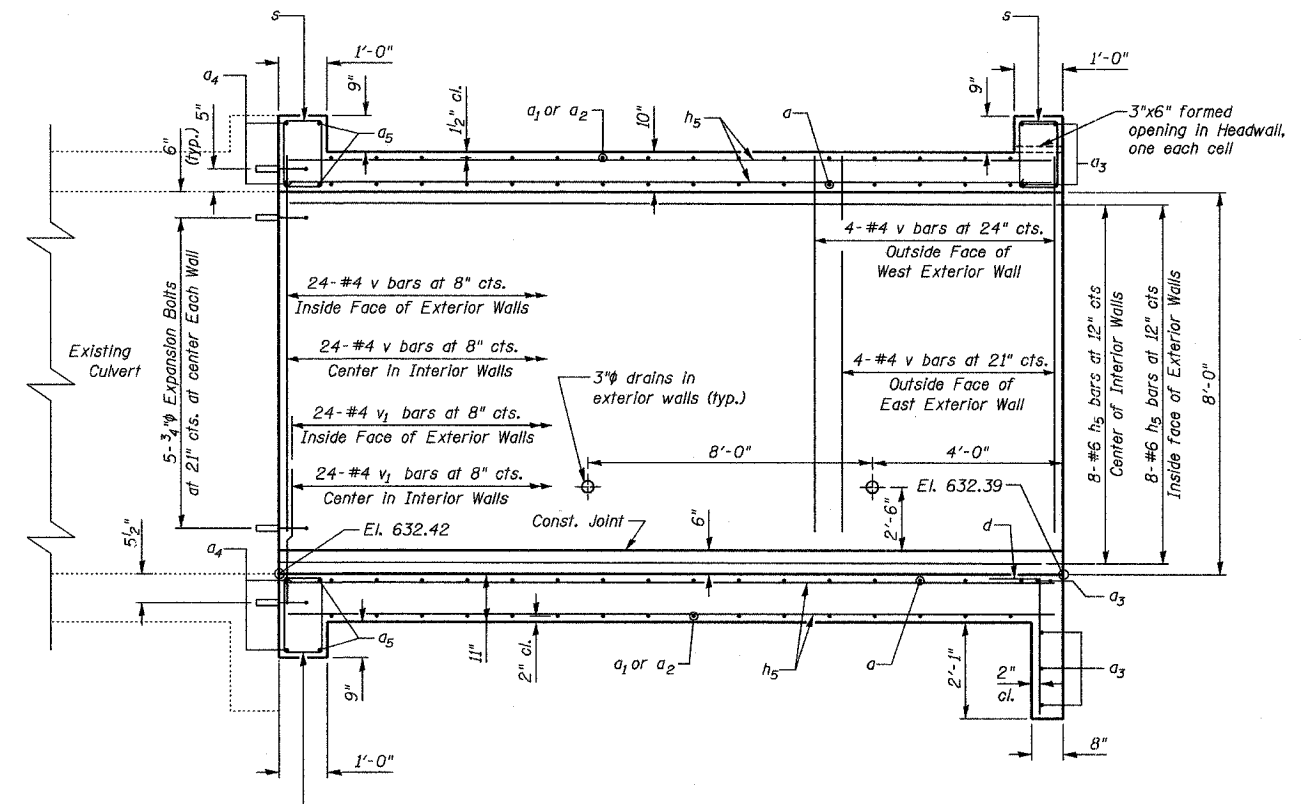
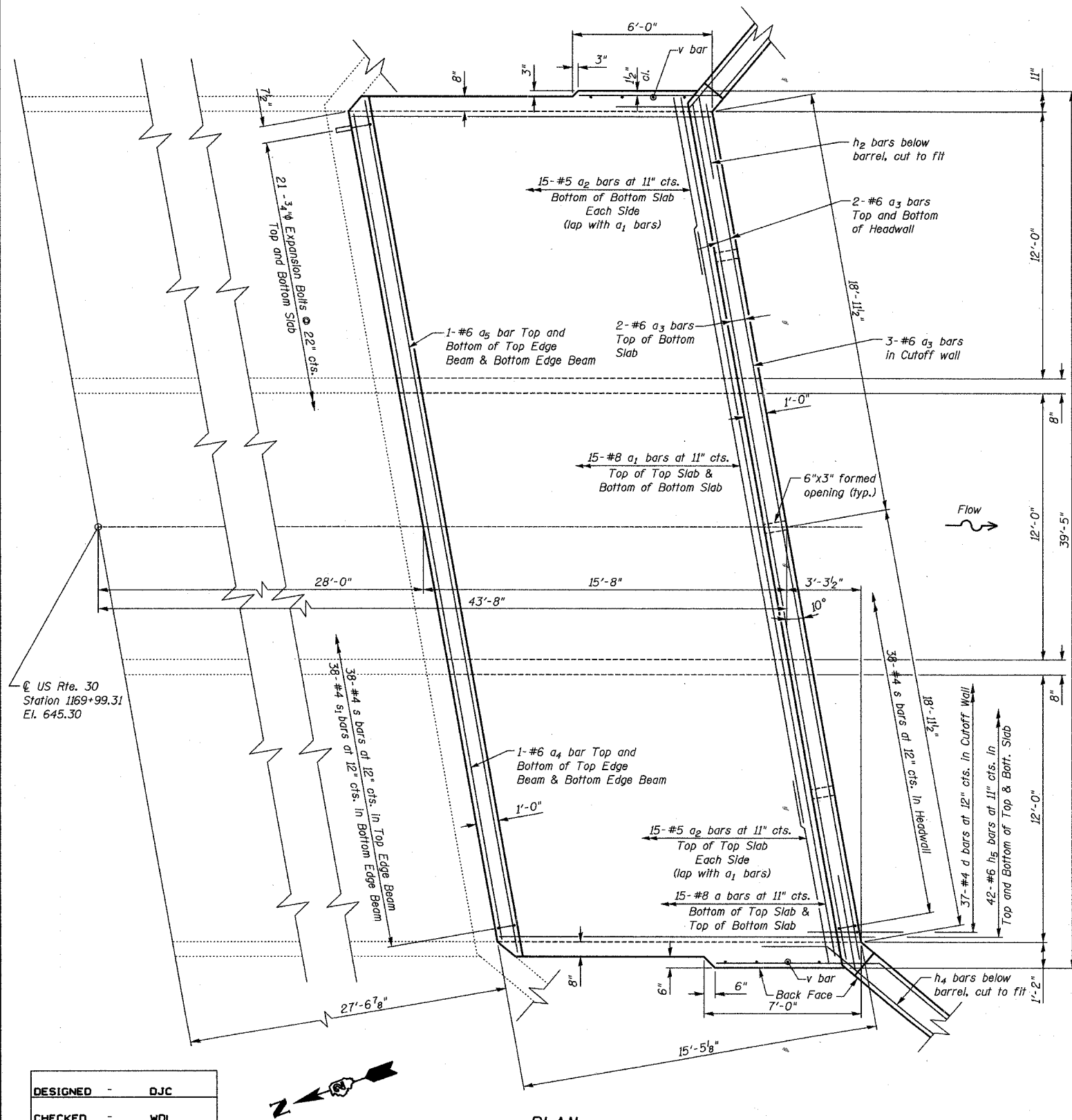


STATE OF ILLINOIS
DEPARTMENT OF TRANSPORTATION

ROUTE NO.	SECTION	COUNTY	SHEET NO.	SHEET	SHEET NO. 3 OF 6 SHEETS
F.A.P. 309	16R-2	WHITESIDE	546	197	
FED. ROAD DIST. NO. 2	ILLINOIS	FED. AID PROJECT-	Contract No. 64969		



Notes:
Min. lap #5 = 1'-8"
Work this sheet with sheet 4 of 6

SOUTH CULVERT EXTENSION DETAILS
U.S. RTE. 30 OVER FRENCH CREEK
F.A.P. ROUTE 309 SECT. 16 R-2
WHITESIDE COUNTY
STATION 1169+99.31
STRUCTURE NUMBER 098-2021

DESIGNED	-	DJC
CHECKED	-	WDL
DRAWN	-	JSD
CHECKED	-	WDL



111 W. Washington St., Suite 1750
Chicago, IL 60602
Ph.(312)628-3886
Fax(312)628-3892
IL Design Firm Registration
No. 184-001518