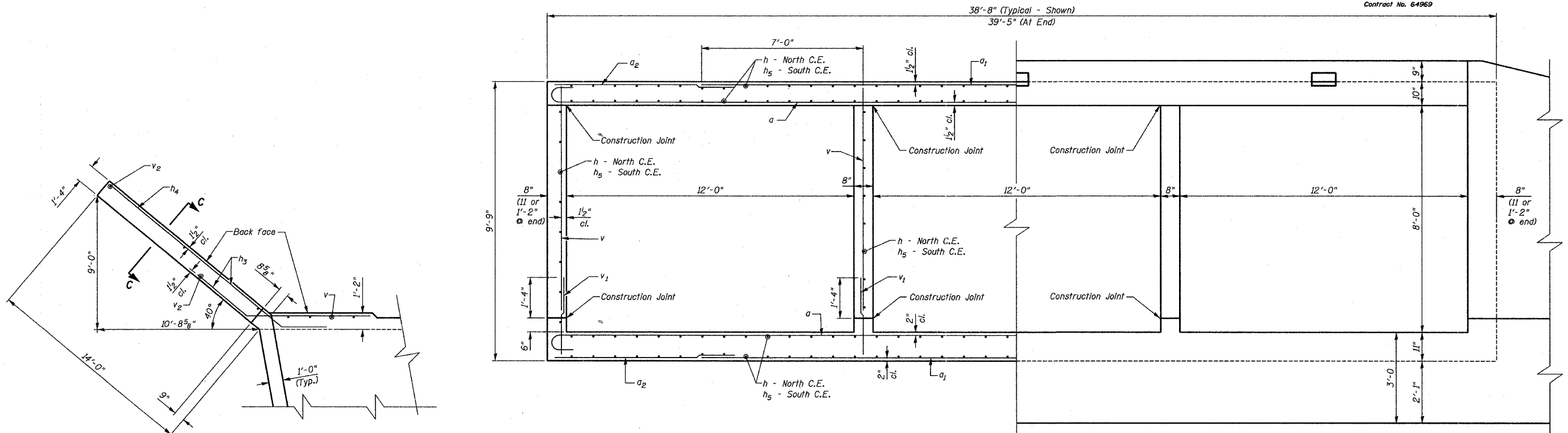
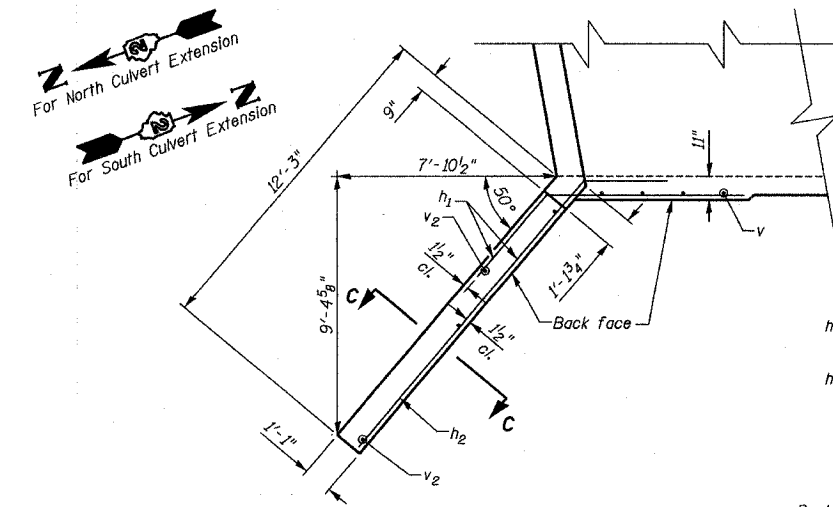


STATE OF ILLINOIS  
DEPARTMENT OF TRANSPORTATION

|                       |          |                  |                    |                         |
|-----------------------|----------|------------------|--------------------|-------------------------|
| ROUTE NO.             | SECTION  | COUNTY           | SHEET NO.          | SHEET NO. 4 OF 6 SHEETS |
| F.A.P. 309            | 16R-2    | WHITESIDE        | 148                |                         |
| FED. ROAD DIST. NO. 2 | ILLINOIS | FED. AID PROJECT | Contract No. 64969 |                         |

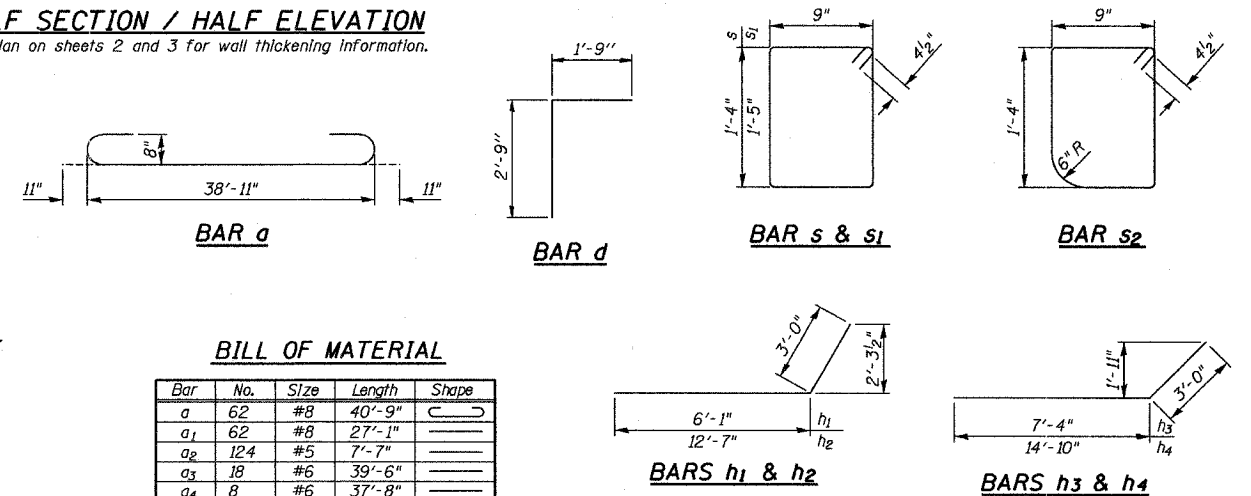


**HALF SECTION / HALF ELEVATION**  
See plan on sheets 2 and 3 for wall thickening information.



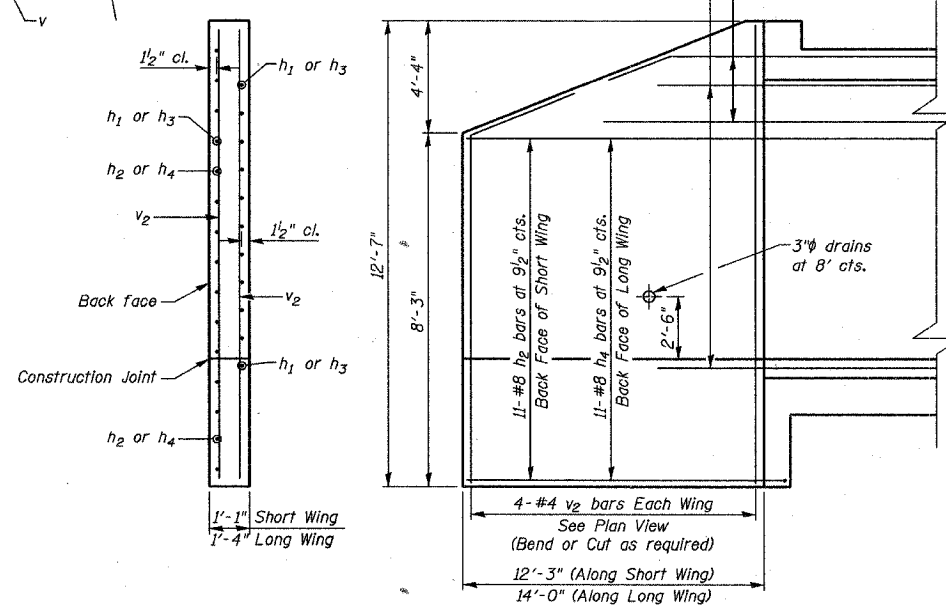
**WINGWALL PLAN**

- 4- #8 h<sub>1</sub> bars at 9 1/2" cts. Back Face Short Wing
- 4- #8 h<sub>3</sub> bars at 9 1/2" cts. Back Face Long Wing
- 11- #8 h<sub>1</sub> bars at 9 1/2" cts. Front Face Short Wing
- 11- #8 h<sub>3</sub> bars at 9 1/2" cts. Front Face Long Wing



**BILL OF MATERIAL**

| Bar                  | No. | Size    | Length  | Shape |
|----------------------|-----|---------|---------|-------|
| a                    | 62  | #8      | 40'-9"  |       |
| a <sub>1</sub>       | 62  | #8      | 27'-1"  |       |
| a <sub>2</sub>       | 124 | #5      | 7'-7"   |       |
| a <sub>3</sub>       | 18  | #6      | 39'-6"  |       |
| a <sub>4</sub>       | 8   | #6      | 37'-8"  |       |
| a <sub>5</sub>       | 8   | #6      | 38'-11" |       |
| d                    | 74  | #4      | 4'-6"   |       |
| h                    | 200 | #6      | 15'-10" |       |
| h <sub>1</sub>       | 30  | #8      | 9'-1"   |       |
| h <sub>2</sub>       | 22  | #8      | 15'-7"  |       |
| h <sub>3</sub>       | 30  | #8      | 10'-4"  |       |
| h <sub>4</sub>       | 22  | #8      | 17'-10" |       |
| h <sub>5</sub>       | 200 | #6      | 15'-4"  |       |
| s                    | 114 | #4      | 4'-11"  |       |
| s <sub>1</sub>       | 76  | #4      | 5'-1"   |       |
| s <sub>2</sub>       | 38  | #4      | 4'-9"   |       |
| v                    | 212 | #4      | 8'-1"   |       |
| v <sub>1</sub>       | 196 | #4      | 2'-7"   |       |
| v <sub>2</sub>       | 16  | #4      | 12'-4"  |       |
| Reinforcement Bars   |     | Pound   | 29,670  |       |
| Concrete             |     | Cu. Yd. | 142.8   |       |
| Box Culverts         |     |         |         |       |
| Expansion Bolts 3/4" |     | Each    | 124     |       |



**SECTION C-C**

**WINGWALL ELEVATION**

|          |   |     |
|----------|---|-----|
| DESIGNED | - | DJC |
| CHECKED  | - | WDL |
| DRAWN    | - | JSD |
| CHECKED  | - | WDL |

Note: Work this sheet with sheets 2 & 3 of 6

**WINGWALL AND SECTION**  
U.S. RTE. 30 OVER FRENCH CREEK  
F.A.P. ROUTE 309 SECT. 16 R-2  
WHITESIDE COUNTY  
STATION 1169+99.31  
STRUCTURE NUMBER 098-2021



111 W. Washington St., Suite 1750  
Chicago, IL 60602  
Ph.(312)628-3886  
Fax(312)628-3892  
IL Design Firm Registration  
No. 184-001518