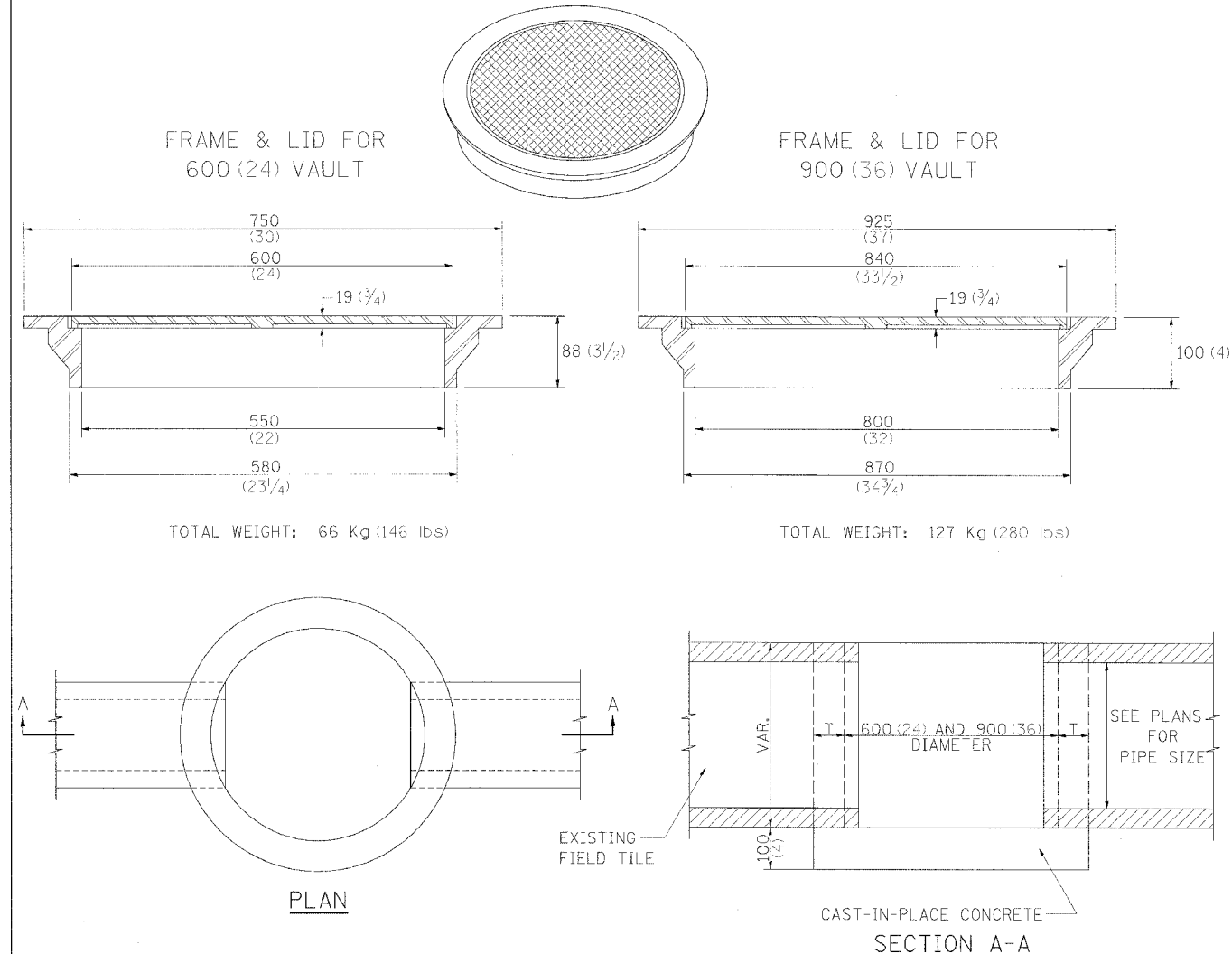


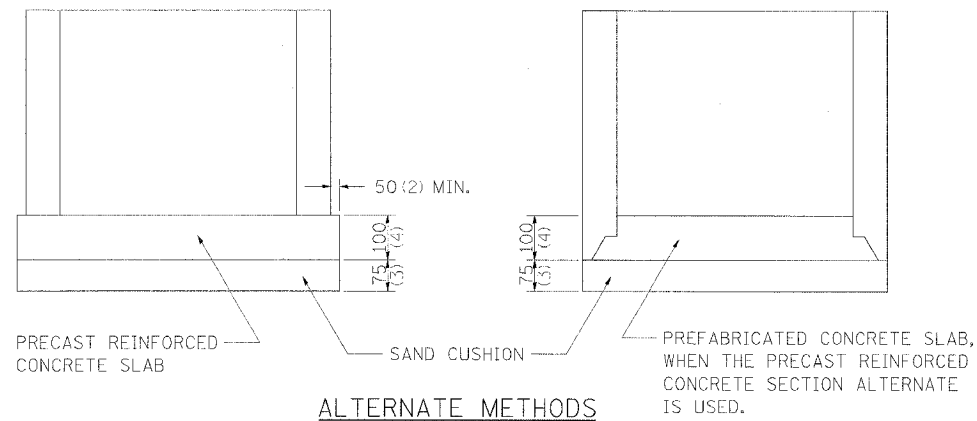
FIELD TILE JUNCTION VAULTS 600 (24) AND 900 (36) DIA.



ALTERNATE MATERIALS FOR WALLS	T
BRICK MASONRY	200 (8)
CAST-IN-PLACE CONCRETE	150 (6)
CONCRETE MASONRY UNIT	125 (5)
PRECAST REINFORCED CONCRETE SECTION	75 (3)

NOTE: THE FRAME AND LID IS REQUIRED ON ALL JUNCTION VAULTS.

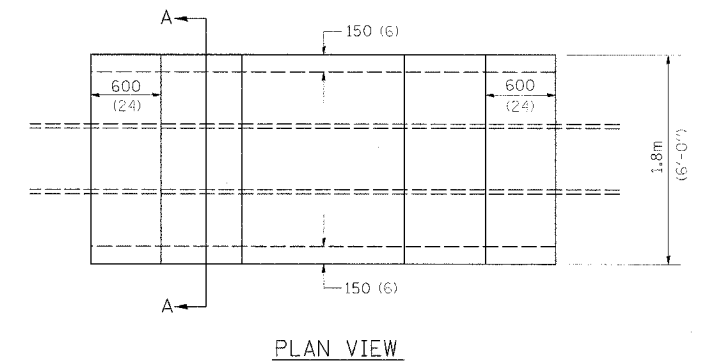
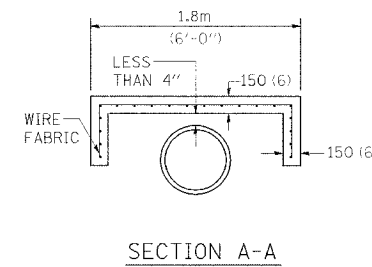
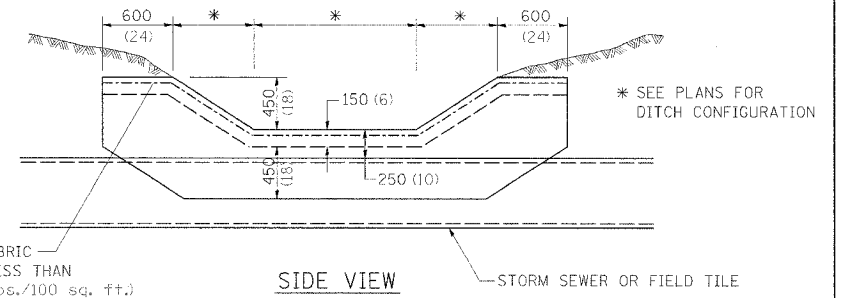
ALL DIMENSIONS ARE IN MILLIMETERS (INCHES) UNLESS OTHERWISE NOTED.



TREATMENT OF FIELD TILE SYSTEMS UNDER DITCHES

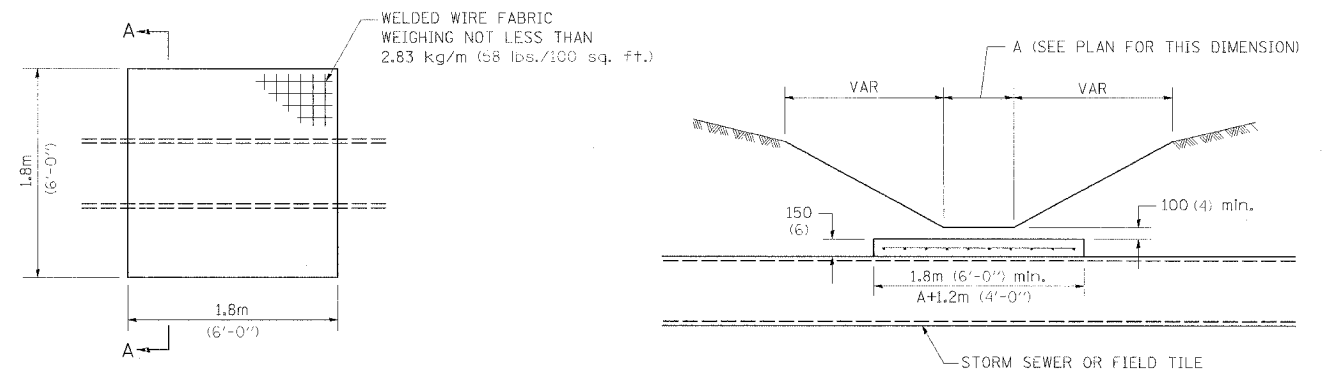
CONTRACT NO. 64969				
F.A.P. RTE.	SECTION	COUNTY	TOTAL SHEETS	SHEET NO.
309	16R-2	WHITESIDE	547	212
STA.	TO STA.			
FED. ROAD DIST. NO. 2		ILLINOIS	FED. AID PROJECT	

PAVED DITCH
TO BE USED IF COVER OVER THE PIPE AT THE BOTTOM OF THE DITCH IS LESS THAN 250mm (10 inches)



CONCRETE SLAB

TO BE USED IF COVER OVER THE PIPE AT THE BOTTOM OF THE DITCH IS 250mm (10 inches) TO 600mm (24 inches)



NOTES

THIS WORK SHALL BE DONE IN ACCORDANCE WITH ARTICLE 611.04 OF THE STANDARD SPECIFICATION.

THE CONCRETE SLAB AND PAVED DITCH WILL BE PAID FOR AT THE CONCRETE UNIT PRICE PER CUBIC METER (CUBIC YARD) FOR MISCELLANEOUS CONCRETE.

ALL DIMENSIONS ARE IN MILLIMETERS (INCHES) UNLESS OTHERWISE NOTED.