

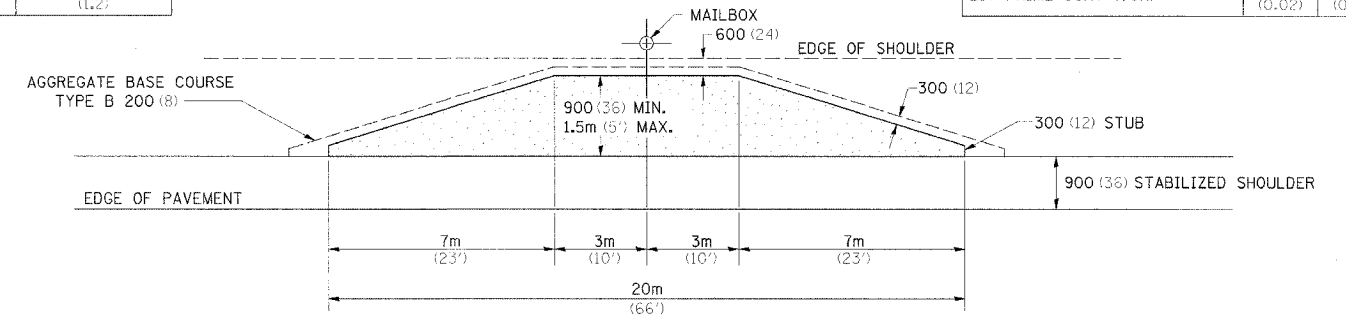
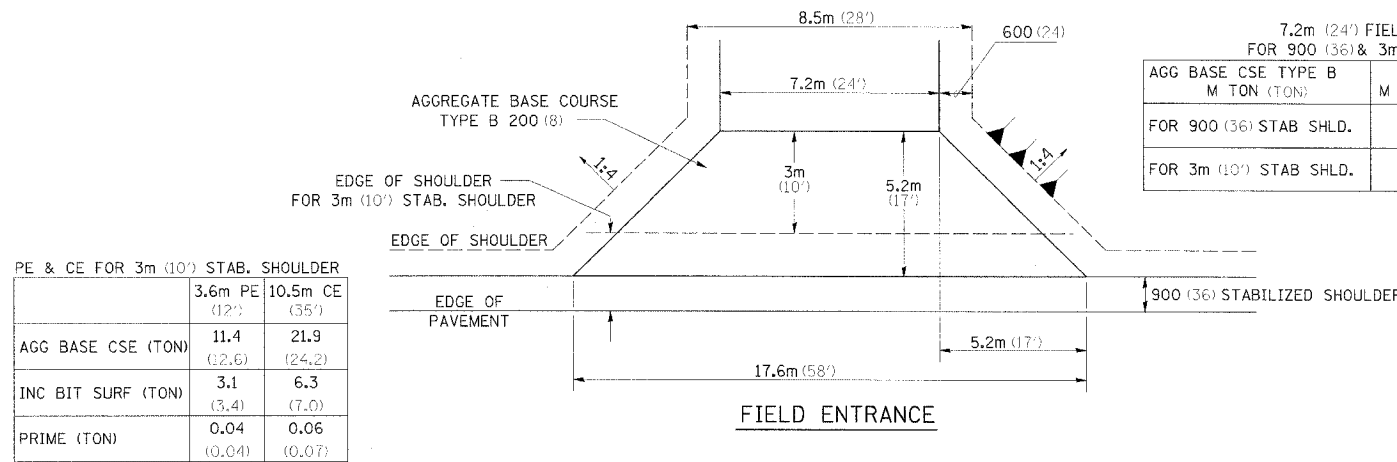
F.A.P. RTE.	SECTION	COUNTY	TOTAL SHEETS	SHEET NO.
309	16R-2	WHITESIDE	641	211
STA. TO STA.		FED. ROAD DIST. NO. 2 ILLINOIS FED. AID PROJECT		

BITUMINOUS APPROACHES & MAILBOX TURNOUTS

7.2m (24') FIELD ENTRANCE FOR 900 (36) & 3m (10') SHOULDERS

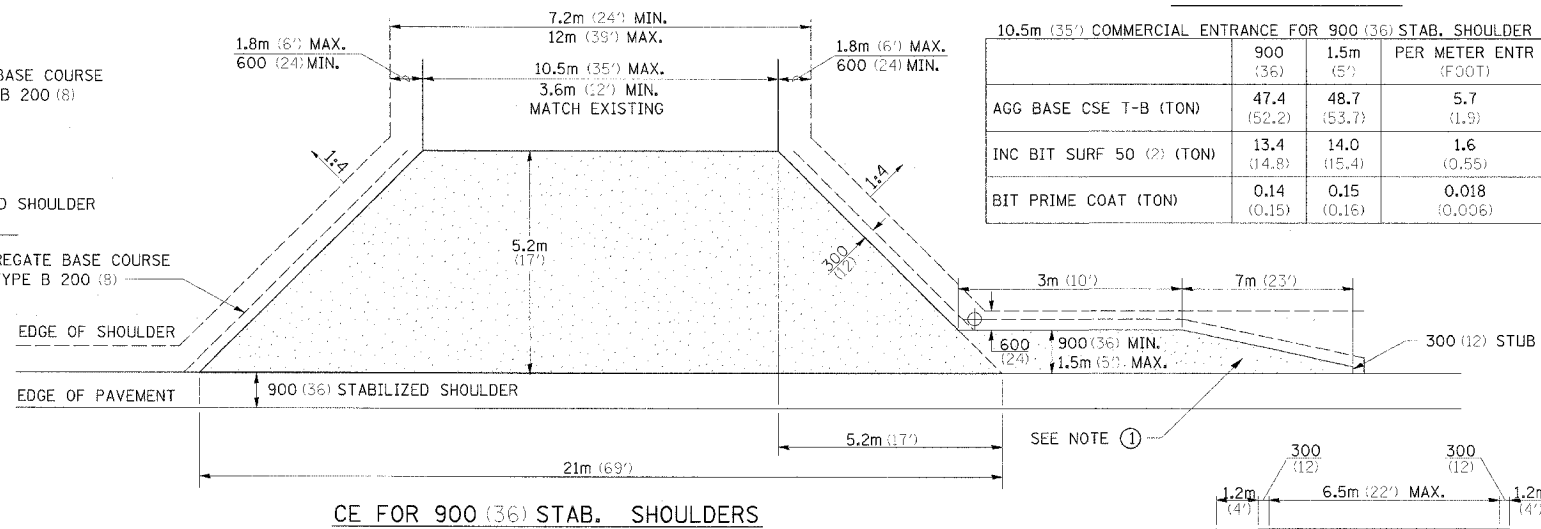
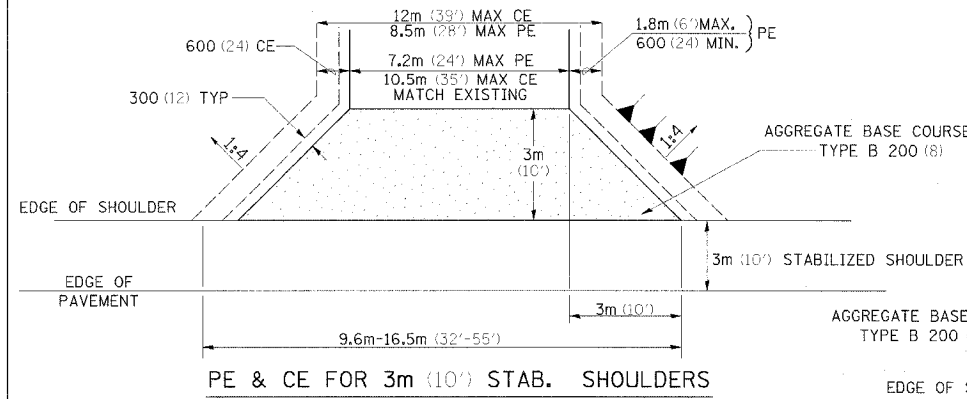
AGG BASE CSE TYPE B M TON (TON)	APRON M TON (TON)	PER METER (FOOT) ADD. RUN
FOR 900 (36) STAB SHLD.	31.3 (35.3)	3.5 (1.2)
FOR 3m (10') STAB SHLD.	14.9 (17.2)	3.5 (1.2)

AGG BASE CSE T-B (TON)	900 (36)	1.5m (5')
INC BIT SURF 50 (2) (TON)	10.7 (11.8)	14.4 (15.5)
BIT PRIME COAT (TON)	2.2 (2.4)	3.4 (3.8)
	0.02 (0.02)	0.04 (0.04)

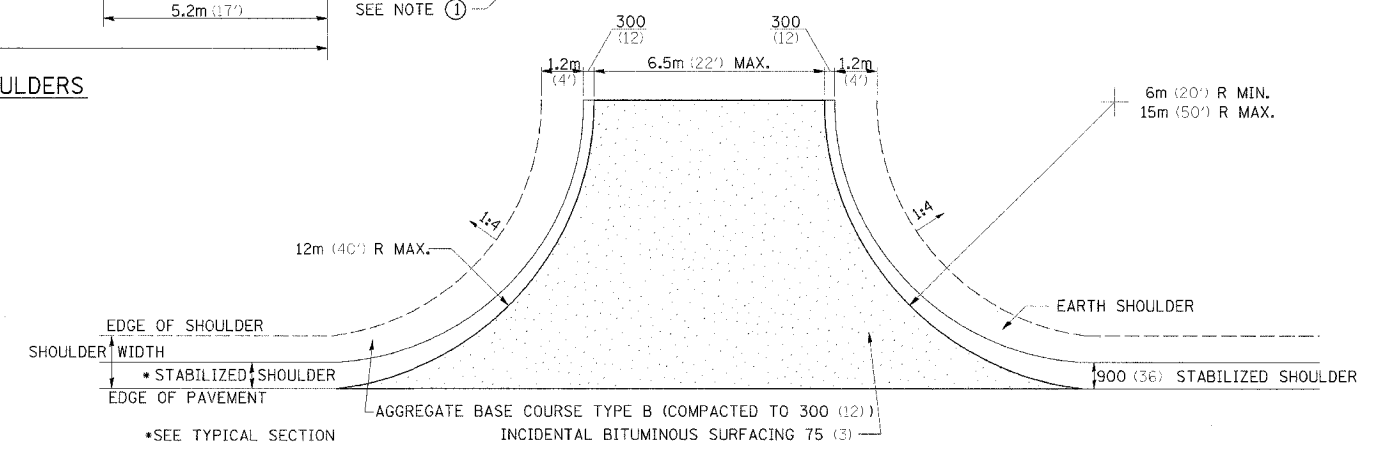
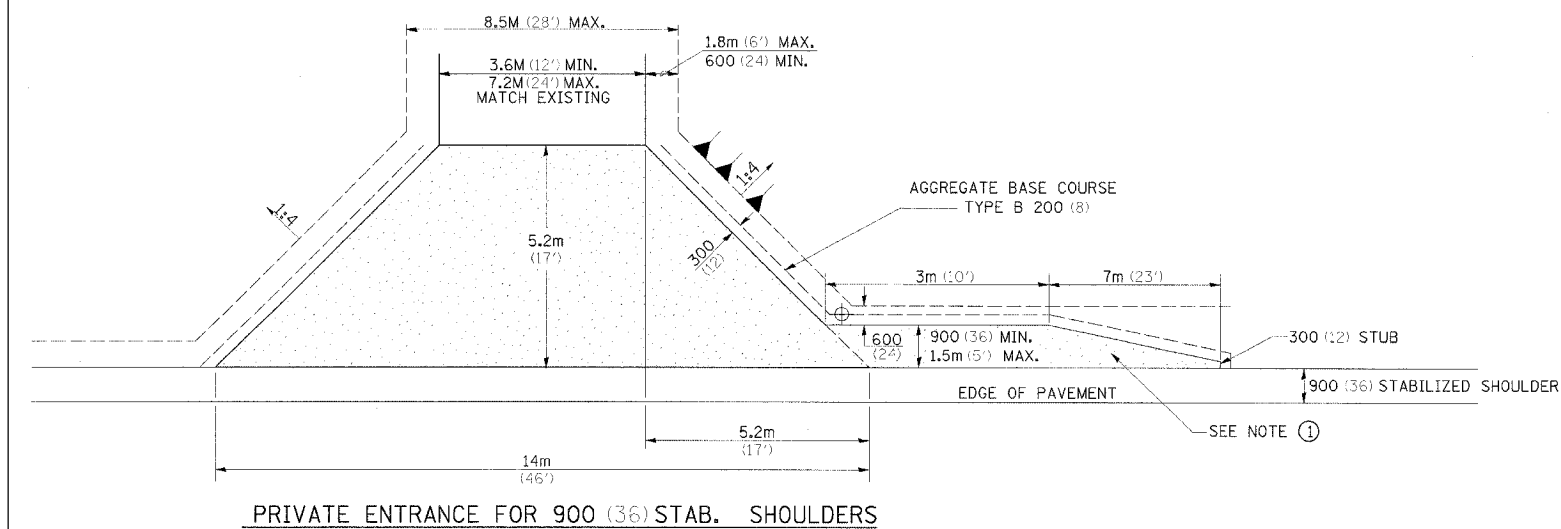


NOTE

- ALL ENTRANCES TO BE CONSTRUCTED WITH AN 8" AGGREGATE BASE COURSE, TYPE B AND WITH A 2" BITUMINOUS SURFACING, UNLESS OTHERWISE NOTED.
- TURNOUTS ARE TO BE CONSTRUCTED ON THE APPROACH SIDE OF ALL PE & CE REGARDLESS IF A MAILBOX IS PRESENT.
- ALL PE & CE ARE TO BE SURFACED TO RIGHT OF WAY LINE. AREA BEHIND RIGHT OF WAY SHALL MATCH EXISTING SURFACE.
- FE ARE TO BE AGGREGATE TO RIGHT OF WAY OR TOUCH DOWN WHICH EVER IS GREATER.
- QUANTITIES SHOWN ARE FOR NEW CONSTRUCTION.
- ALL DIMENSIONS ARE IN MILLIMETERS (INCHES) UNLESS OTHERWISE NOTED.



	900 (36)	1.5m (5')	PER METER ENTR (FOOT)
AGG BASE CSE (TON)	29.4 (32.4)	30.8 (33.9)	0.64 (0.7)
INC BIT SURF 50 (2) (TON)	7.8 (8.6)	8.4 (9.3)	0.17 (0.19)
BIT PRIME COAT (TON)	0.08 (0.09)	0.09 (0.10)	0.006 (0.002)



NOTE: USE 50 (2) INC. BIT. SURF. ON EXISTING RETURNS

PLOT DATE = 04/25/05
FILE NAME = 16R-2-211
PLOT SCALE = 1/8"=1'-0"
REFERENCE = 16R-2

00254611.dwg 12/20/2005 10:36:24 AM