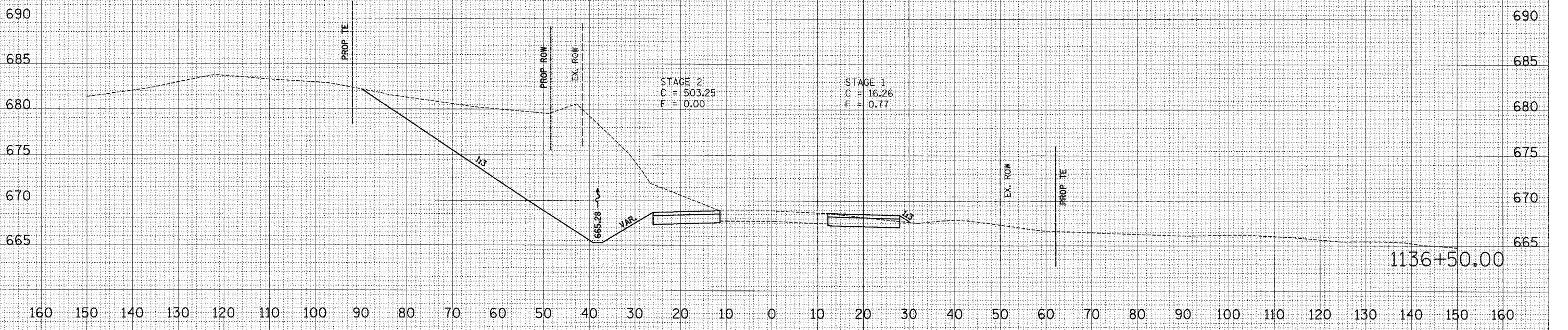
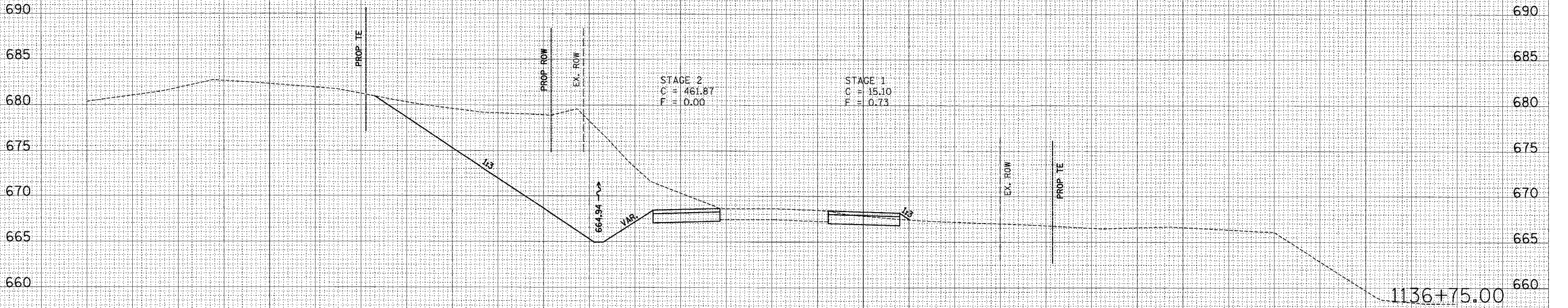


F.A.P. RTE.	SECTION	COUNTY	TOTAL SHEETS	SHEET NO.
309	16R-2	WHITESIDE	577	262
STA. 1136+50.00 TO STA. 1136+75.00				
FED. ROAD DIST. NO. 2 ILLINOIS FED. AID PROJECT				

160 150 140 130 120 110 100 90 80 70 60 50 40 30 20 10 0 10 20 30 40 50 60 70 80 90 100 110 120 130 140 150 160



US ROUTE 30 - MAINTENANCE OF TRAFFIC - STAGE 1 & STAGE 2

DATE	
BY	
DATE	
BY	
DATE	
BY	
DATE	
BY	
DATE	
BY	

DATE	
BY	
DATE	
BY	
DATE	
BY	
DATE	
BY	
DATE	
BY	

PLOT DATE = #DATE#
 PLOT SCALE = #SCALE#
 PLOT NAME = #USER#